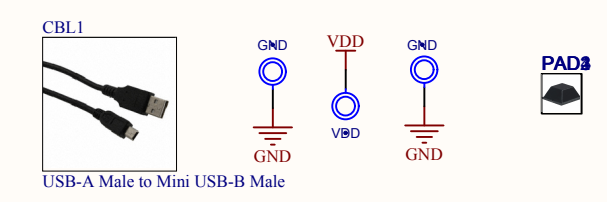
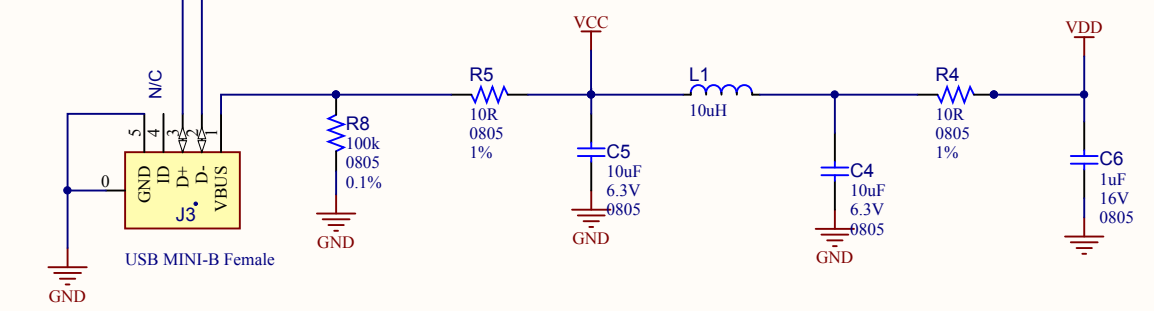
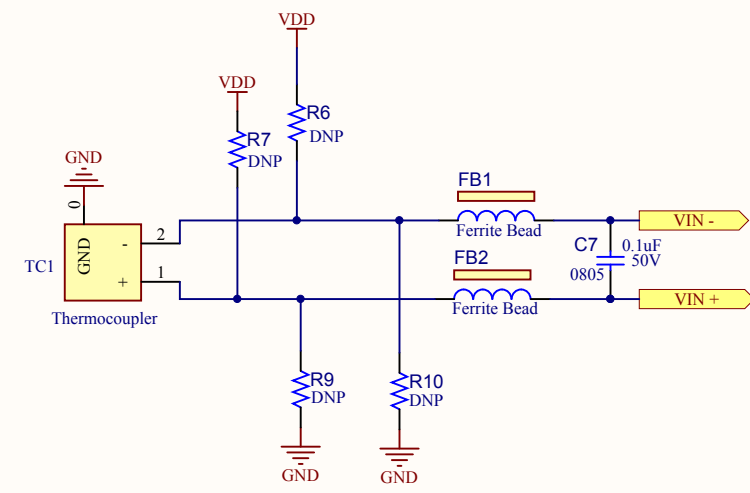
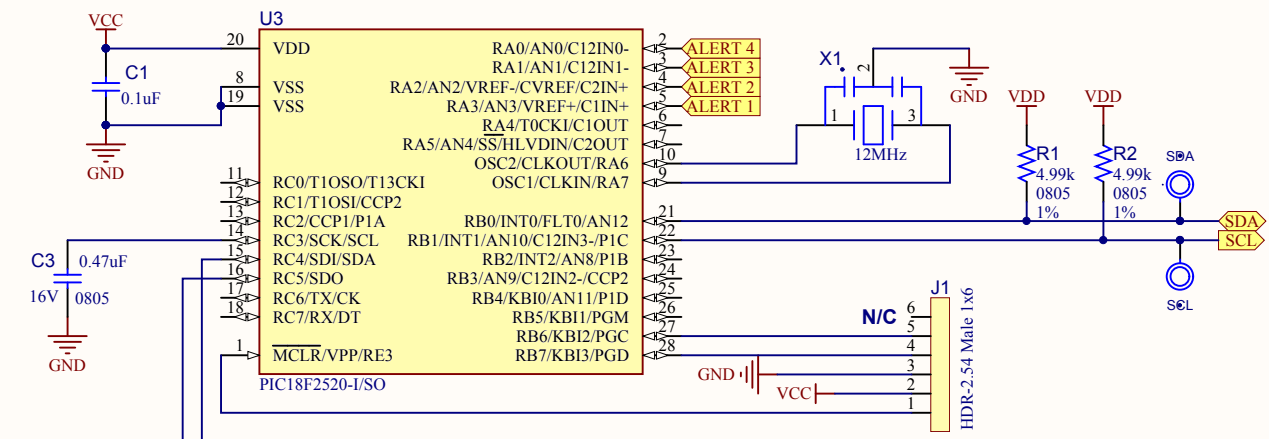
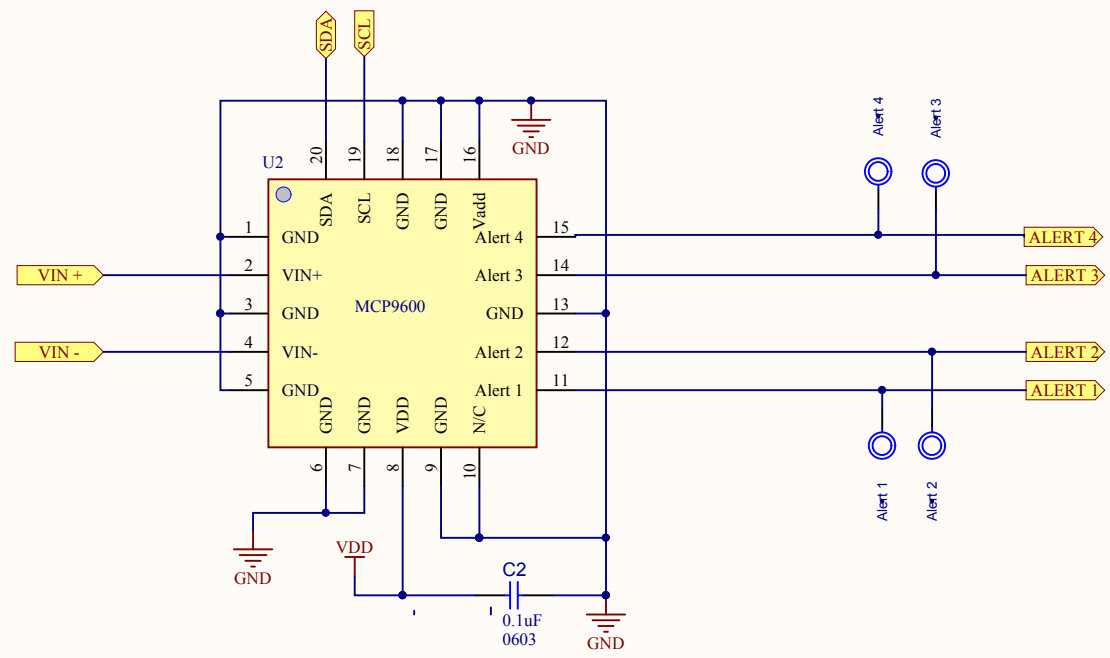


REV	ECO#	DESCRIPTION	DATE



Drawn By: E. Haile		
Engineer: E. Haile		
PartNumber: 02-10413	Project Title MCP9600 Evaluation Board	
Sheet Title Main Sheet	Designed with 	
Size B	Sch #:03-10413	Date: 4/24/2015 3:18:05 PM
	Revision:1	Sheet 1 of 1
File: 03-10413-R1.SchDoc		