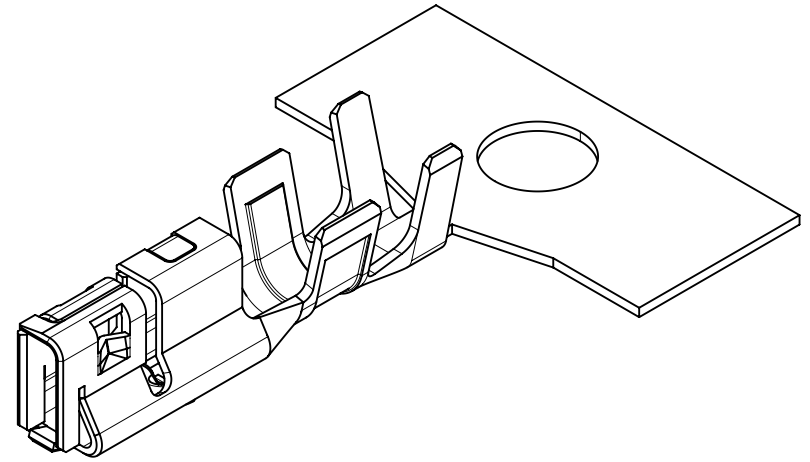
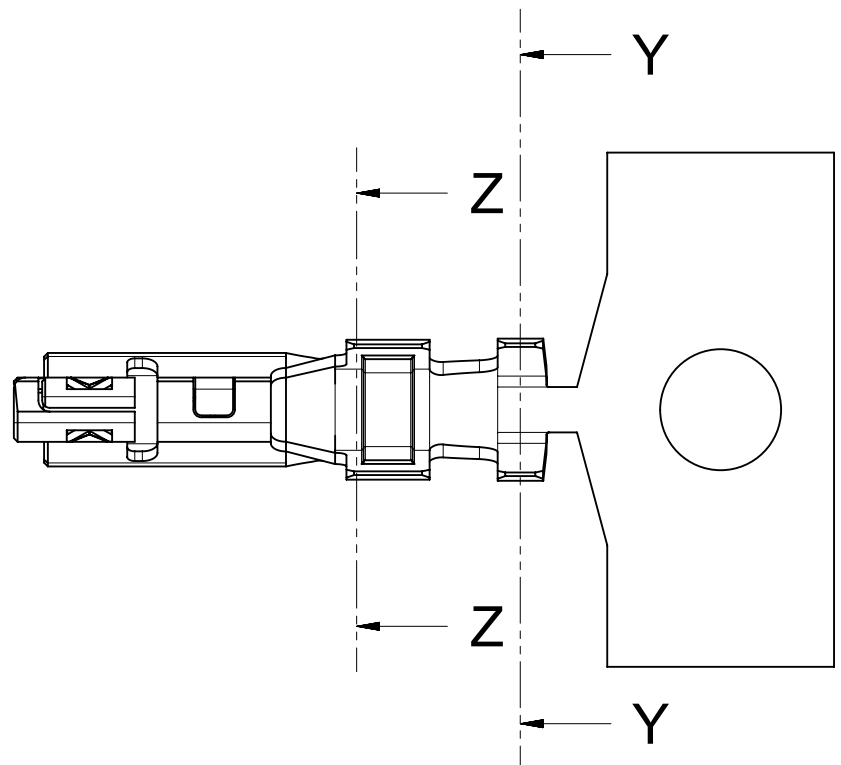
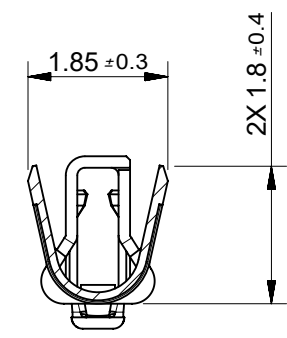
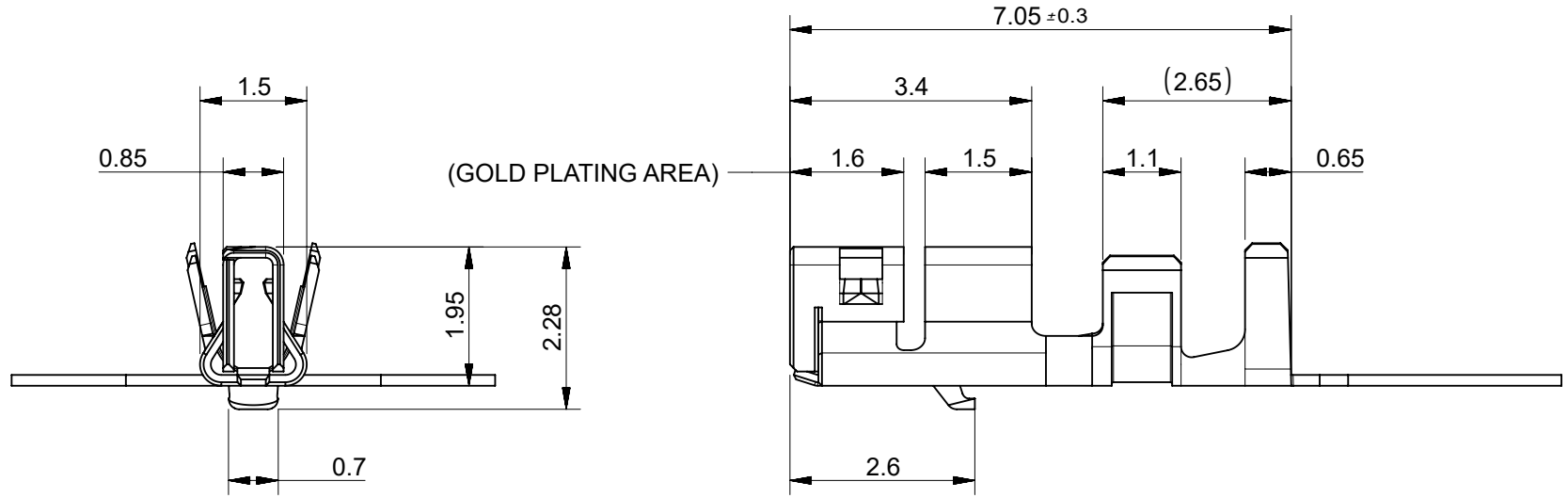


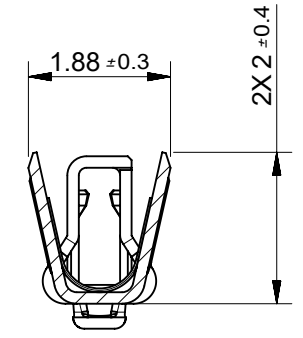
GENERAL TOLERANCE										USED ON
10 MAX	30 MAX	50 MAX	70 MAX	100 MAX	120 MAX	250 MAX	250 OVER	ANGLE	ECCENT	
±0.15	±0.20	±0.30	±0.40	±0.50	±0.75	±0.90	±1.4	±0.5°	0.1	



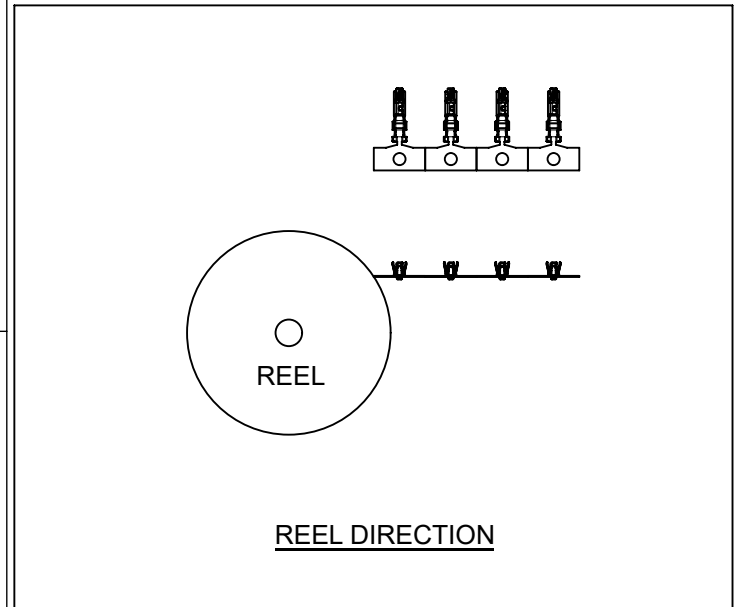
ISO VIEW



SECTION Z-Z



SECTION Y-Y



- NOTES:
1. MATERIALS : CORSON ALLOY, 0.15T
  2. APPLICABLE HOUSING : 560123 SERIES
  3. APPLICABLE WIRE : SEE CS-560124-001
  4. GENERAL TOLERANCE : SEE TABLE
  5. ELV AND RoHS COMPLIANT
  6. PRODUCT SPECIFICATION : PS-5601240131
  7. PACKING SPECIFICATION : PK-560124-001
  8. CRIMP SPECIFICATION : CS-560124-001
  9. PLATING : Au SELECTIVE  
(Ni : 1.5um Min. UNDER PLATING, Au : 0.2um Min.)

ORDER NO.	MATERIAL NO.
560124-0131	5601240131

SYMBOLS	THIS DRAWING CONTAINS INFORMATION THAT IS PROPRIETARY TO MOLEX ELECTRONIC TECHNOLOGIES, LLC AND SHOULD NOT BE USED WITHOUT WRITTEN PERMISSION		CURRENT REV DESC:			
	▽ = 0	mm	SCALE	10:1		
▽ = 0	GENERAL TOLERANCES (UNLESS SPECIFIED)		EC NO: 631225		<b>NEW 2.0 W/B CRIMP REC DURACLIC ISL SERIES (GOLD PLATING)</b>	
▽ = 0	ANGULAR TOL ± °		DRWN: SAKIM 2020/01/28			
▽ = 0	4 PLACES ±		CHK'D: TOSADA 2020/01/28		<b>PRODUCT CUSTOMER DRAWING</b>	
▽ = 0	3 PLACES ±		APPR: TOSADA 2020/01/28			
▽ = 0	2 PLACES ±		INITIAL REVISION:		<b>SD-560124-002</b>	
▽ = 0	1 PLACE ±		DRWN: YIBAEK 2015/04/29			
▽ = 0	0 PLACES ±		APPR: JYCHOI 2015/05/29		<b>PSD 001 A1</b>	
▽ = 0	DRAFT WHERE APPLICABLE MUST REMAIN WITHIN DIMENSIONS		THIRD ANGLE PROJECTION	DRAWING		SERIES
▽ = 0				A3-SIZE	560124	MATERIAL NUMBER CUSTOMER GENERAL MARKET
				SHEET NUMBER		1 OF 1

DOCUMENT STATUS	P1	RELEASE DATE	2020/01/28	09:13:00
-----------------	----	--------------	------------	----------