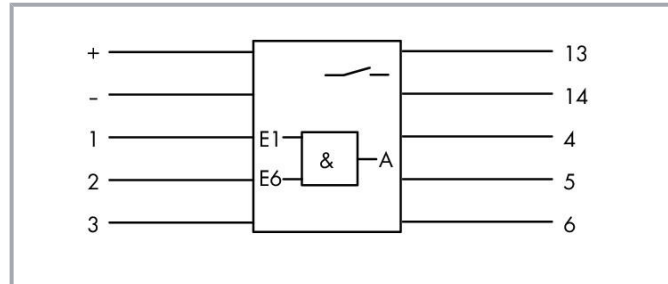


Data sheet | Item number: 286-826
AND gate module with 6 inputs; light gray

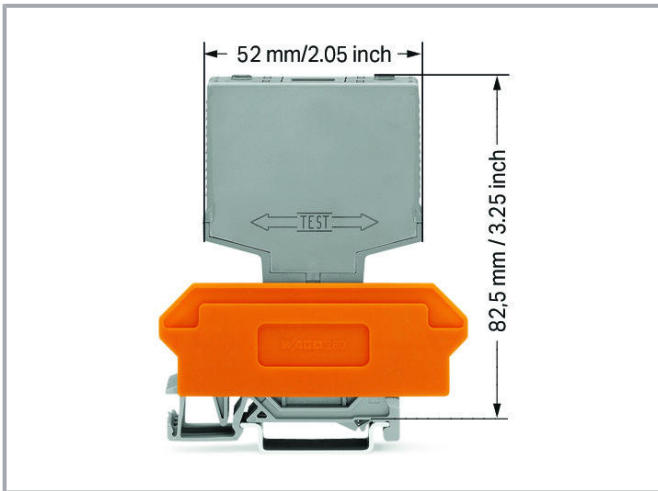
www.wago.com/286-826



Subject to changes. Please also observe the further product documentation!

WAGO Kontakttechnik GmbH & Co. KG
Hansastr. 27
32423 Minden
Phone: +49571 887-0 | Fax: +49571 887-169
Email: info.de@wago.com | Web: www.wago.com

Do you have any questions about our products?
We are always happy to take your call at +49 (571) 887-44222.



Data

Electrical data

Nominal operating voltage	DC 24 V
Operating voltage	DC 24 ... 27.5 V
Power consumption at nominal supply voltage	≤ 34.6 mA
Number of make/switch-on contacts	1
Limiting continuous current	3 A
Switching voltage (max.)	AC 250 V; DC 120 V
Switching power (resistive) (max.)	AC 750 VA; DC 120 W

Safety and protection

Rated voltage	250 V
Rated surge voltage	4 kV
Pollution degree	2
Dielectric strength, input/output (AC, 1 min)	2.5 kV _{rms}

Physical data

Width	25 mm / 0.984 inch
Height from upper-edge of DIN-rail	82.5 mm / 3.25 inch
Depth	52 mm / 2.047 inch

Mechanical data

Mounting type	Pluggable module for receptacle terminal blocks
---------------	---

Subject to changes. Please also observe the further product documentation!

Housing design

Plug for carrier terminal blocks

Material data

Color	light gray
Fire load	0.445 MJ
Weight	34 g

Environmental requirements

Surrounding air temperature (operation)	-25 ... 40 °C
Relative humidity	5 ... 95 % (no condensation permissible)
Operating altitude (max.)	2000 m

Commercial data

Product Group	6 (Interface Electronics)
PU (SPU)	10 (1) Stück
Packaging type	box
Country of origin	DE
GTIN	4045454344269
Customs tariff number	85369010000

Optional accessories

Terminal blocks

Terminal block for pluggable modules


Item no.: 280-629
Terminal block for pluggable modules; 10-pole; with 4-conductor terminal blocks; with orange separator; for DIN-rail 35 x 15 and 35 x 7.5; 2.5 mm²; CAGE CLAMP®; 2,50 mm²; graywww.wago.com/280-629
Item no.: 280-639
Terminal block for pluggable modules; 10-pole; with 2-conductor terminal blocks; with orange separator; for DIN-rail 35 x 15 and 35 x 7.5; 2.5 mm²; CAGE CLAMP®; 2,50 mm²; graywww.wago.com/280-639
Item no.: 280-765
Terminal block for pluggable modules; 10-pole; with 4-conductor terminal blocks; with marker carrier; with orange separator; for DIN-rail 35 x 15 and 35 x 7.5; 2.5 mm²; CAGE CLAMP®; 2,50 mm²; graywww.wago.com/280-765

Marking accessories

Marker


Item no.: 209-701

WSB marking card; as card; not stretchable; plain; snap-on type; white

www.wago.com/209-701

Subject to changes. Please also observe the further product documentation!

WAGO Kontakttechnik GmbH & Co. KG

Hansastr. 27

32423 Minden

Phone: +49571 887-0 | Fax: +49571 887-169

Email: info.de@wago.com | Web: www.wago.com

Do you have any questions about our products?

We are always happy to take your call at +49 (571) 887-44222.



Downloads Documentation

Bid Text

286-826 doc - Datei	Apr 2, 2015	doc 24.1 kB	Download
------------------------	-------------	----------------	----------

286-826 X81 - Datei	Feb 19, 2019	xml 3.5 kB	Download
------------------------	--------------	---------------	----------

Instruction Leaflet

		pdf 1.3 MB	Download
--	--	---------------	----------

Additional Information

Disposal; Electrical and electronic equipment, Packaging	V 1.0.0	pdf 265.8 kB	Download
--	---------	-----------------	----------

CAD/CAE-Data

CAD data

2D/3D Models 286-826		URL	Download
----------------------	--	-----	----------

CAE data

WSCAD Universe 286-826		URL	Download
------------------------	--	-----	----------

ZUKEN Portal 286-826		URL	Download
----------------------	--	-----	----------

Environmental Product Compliance

Compliance Search

Environmental Product Compliance 286-826 AND gate module with 6 inputs; light gray		URL	Download
---	--	-----	----------

Installation Notes

Subject to changes. Please also observe the further product documentation!