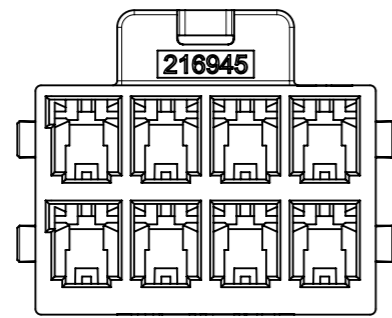
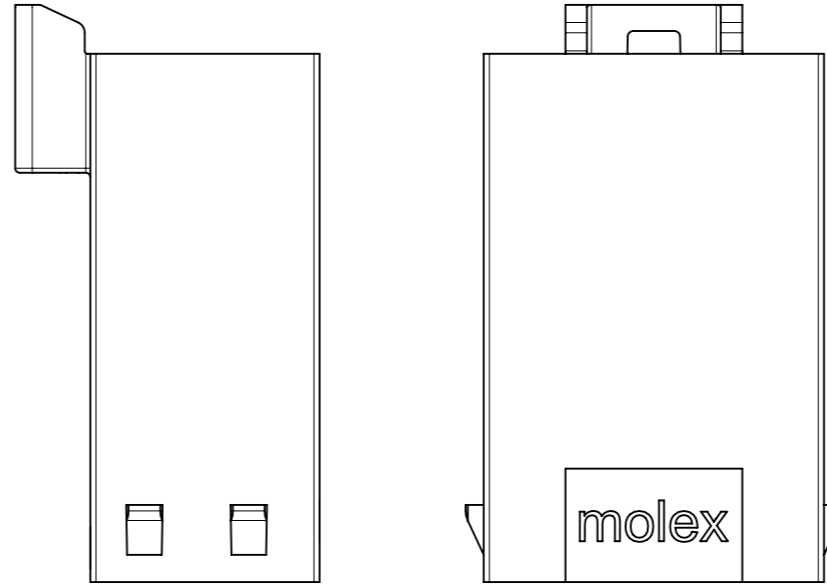
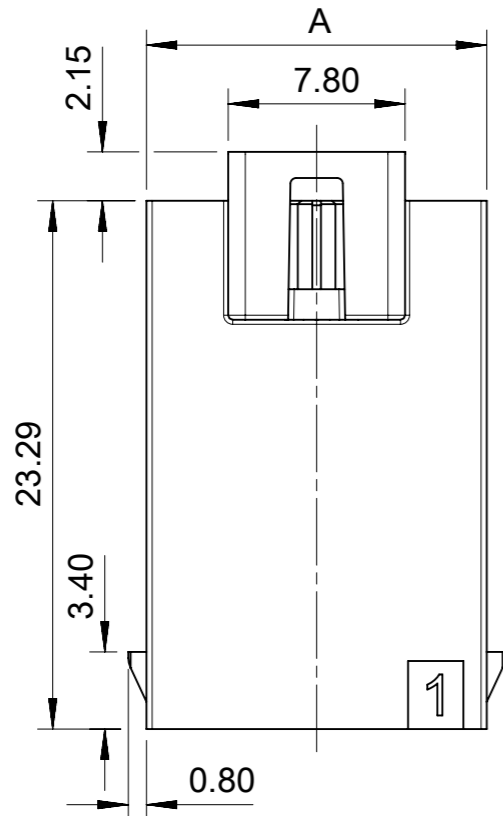


FREE HANGING PLUG PARTS

| PART NUMBER | CIRCUIT SIZE | DIM 'A' | COLOR | TYPE |
|-------------|--------------|---------|---------|--------------|
| 216945-3004 | 4 | 8.0 | BLACK | FREE HANGING |
| 216945-3006 | 6 | 11.5 | | |
| 216945-3008 | 8 | 15.0 | | |
| 216945-3010 | 10 | 18.5 | | |
| 216945-3012 | 12 | 22.0 | | |
| 216945-3014 | 14 | 25.5 | | |
| 216945-3016 | 16 | 29.0 | NATURAL | |
| 216945-4004 | 4 | 8.0 | | |
| 216945-4006 | 6 | 11.5 | | |
| 216945-4008 | 8 | 15.0 | | |
| 216945-4010 | 10 | 18.5 | | |
| 216945-4012 | 12 | 22.0 | | |
| 216945-4014 | 14 | 25.5 | | |
| 216945-4016 | 16 | 29.0 | | |

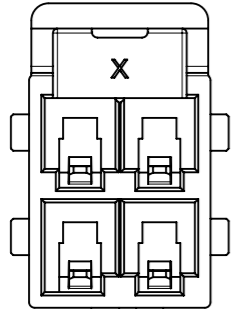


| COLOR FEATURE | |
|------------------------------------|--------------------------------------|
| BLACK | NATURAL |
| <p>KEY A FOR BLACK COLOR PARTS</p> | <p>KEY B FOR NATURAL COLOR PARTS</p> |

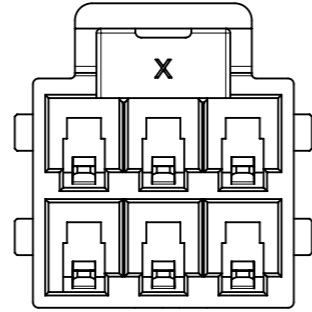
- NOTES:
1. MATERIAL: PA66, 94V-0, BLACK AND NATURAL.
 2. PRODUCT SPECIFICATION: 2169461000-PS.
 3. PACKAGE SPECIFICATION: 2169451000-PK.
 4. TO USE WITH TERMINAL OF 216946-****.
 5. TO USE WITH TPA OF 172264-****.
 6. TO MATE WITH RECEPTACLE OF 172258-****.
 7. PARTS CONFORM TO CLASS 'B' REQUIREMENTS OF COSMETIC SPECIFICATION PS-45499-002.

| | | | | | | |
|-----------------------------------------------------------------------------------------------------------------------------------------------|-------|---------------------------|---------|--------------------------------------------------|-----------------|----------------|
| THIS DRAWING CONTAINS INFORMATION THAT IS PROPRIETARY TO MOLEX ELECTRONIC TECHNOLOGIES, LLC AND SHOULD NOT BE USED WITHOUT WRITTEN PERMISSION | | CURRENT REV DESC: | | | | |
| DIMENSION UNITS | SCALE | | | | | |
| mm | NTS | | | PLUG HOUSING OF ULTRA-FIT WTW DR POWER CONNECTOR | | |
| GENERAL TOLERANCES (UNLESS SPECIFIED) | | EC NO: 726545 | | PRODUCT CUSTOMER DRAWING | | |
| ANGULAR TOL | ± ° | DRWN: LEOW 2022/10/31 | | DOCUMENT NUMBER | | |
| 4 PLACES | ± | CHK'D: EDUGGER 2022/11/01 | | 2169451000-SD | | |
| 3 PLACES | ± | APPR: EDUGGER 2022/11/01 | | DOC TYPE | | |
| 2 PLACES | ± 0.2 | INITIAL REVISION: | | PSD | | |
| 1 PLACE | ± | DRWN: GLLI 2021/07/06 | | DOC PART | | |
| 0 PLACES | ± | APPR: EDUGGER 2022/11/01 | | 000 | | |
| DRAFT WHERE APPLICABLE MUST REMAIN WITHIN DIMENSIONS | | THIRD ANGLE PROJECTION | DRAWING | SERIES | MATERIAL NUMBER | CUSTOMER |
| | | | A3-SIZE | 216945 | SEE TABLE | GENERAL MARKET |
| | | | | | | SHEET NUMBER |
| | | | | | | 1 OF 6 |

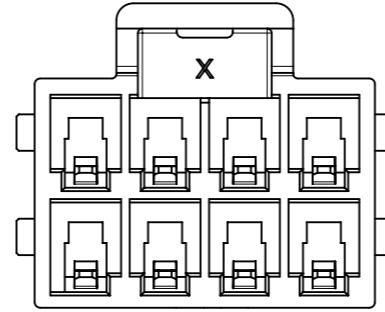
FREE HANGING PLUG PARTS



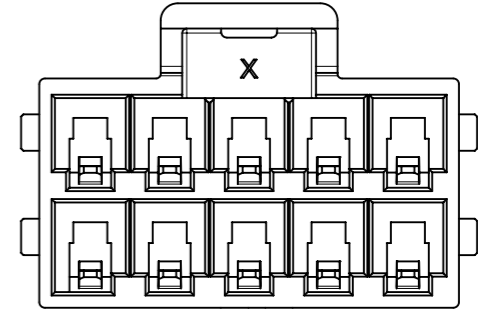
4CKT



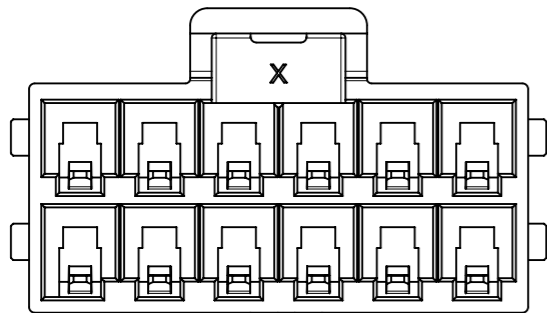
6CKT



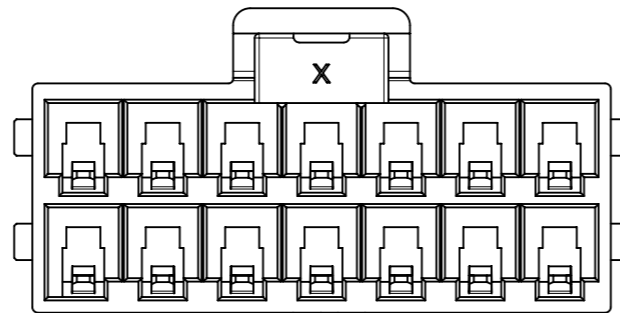
8CKT



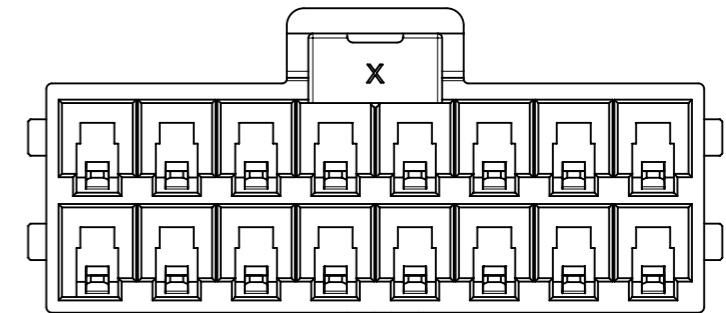
10CKT



12CKT



14CKT

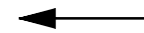
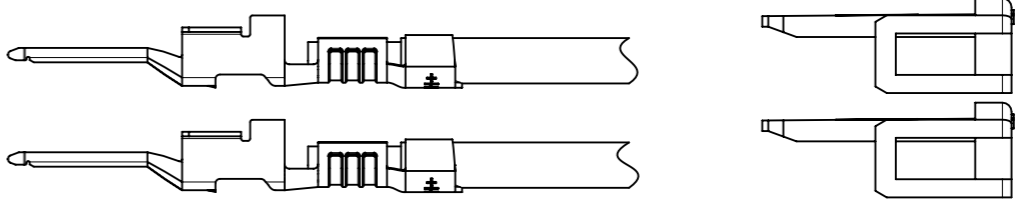
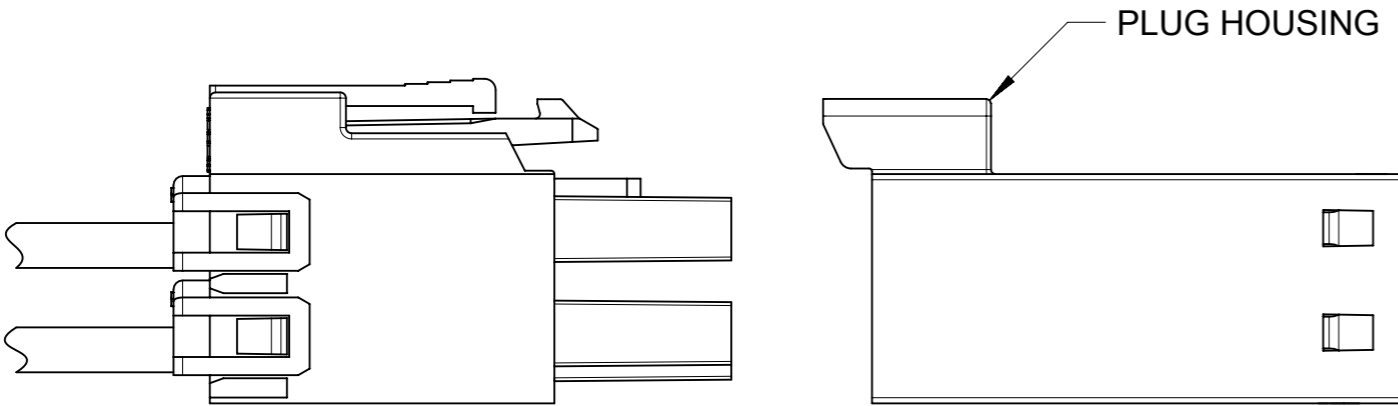
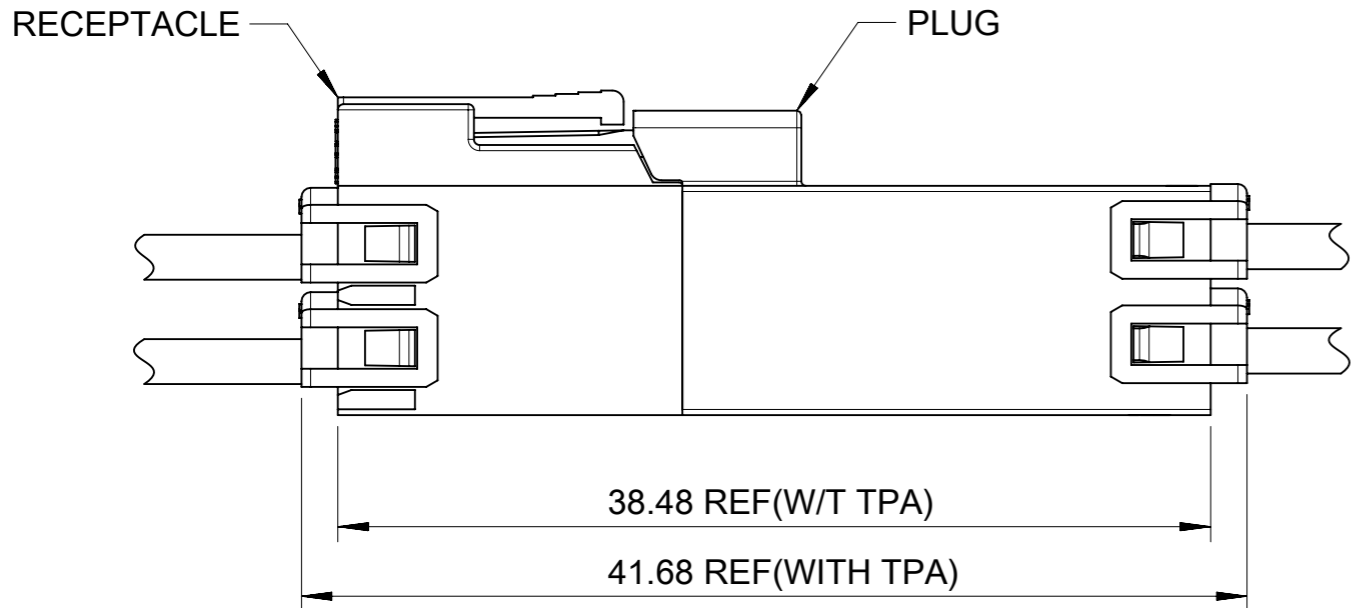


16CKT

| | | | | | | | | | |
|-----------------------------------------------------------------------------------------------------------------------------------------------|--|-------|--|---------------------------|--|----------------|--|----------------------------------|--|
| THIS DRAWING CONTAINS INFORMATION THAT IS PROPRIETARY TO MOLEX ELECTRONIC TECHNOLOGIES, LLC AND SHOULD NOT BE USED WITHOUT WRITTEN PERMISSION | | | | | | | | | |
| DIMENSION UNITS | | SCALE | | CURRENT REV DESC: | | | | molex | |
| mm | | NTS | | | | | | | |
| GENERAL TOLERANCES (UNLESS SPECIFIED) | | | | EC NO: 726545 | | | | PLUG HOUSING OF ULTRA-FIT WTW DR | |
| ANGULAR TOL ± ° | | | | DRWN: LEOW 2022/10/31 | | | | POWER CONNECTOR | |
| 4 PLACES ± | | | | CHK'D: EDUGGER 2022/11/01 | | | | PRODUCT CUSTOMER DRAWING | |
| 3 PLACES ± | | | | APPR: EDUGGER 2022/11/01 | | | | DOCUMENT NUMBER | |
| 2 PLACES ± 0.2 | | | | INITIAL REVISION: | | | | DOC TYPE | |
| 1 PLACE ± | | | | DRWN: GLLI 2021/07/06 | | | | DOC PART | |
| 0 PLACES ± | | | | APPR: EDUGGER 2022/11/01 | | | | REVISION | |
| DRAFT WHERE APPLICABLE MUST REMAIN WITHIN DIMENSIONS | | | | THIRD ANGLE PROJECTION | | DRAWING | | SERIES | |
| | | | | | | A3-SIZE | | 216945 | |
| | | | | MATERIAL NUMBER | | CUSTOMER | | SHEET NUMBER | |
| | | | | SEE TABLE | | GENERAL MARKET | | 2 OF 6 | |

| | | | | |
|-----------------|----|--------------|------------|----------|
| DOCUMENT STATUS | P1 | RELEASE DATE | 2022/11/01 | 13:33:31 |
|-----------------|----|--------------|------------|----------|

FREE HANGING PLUG PARTS

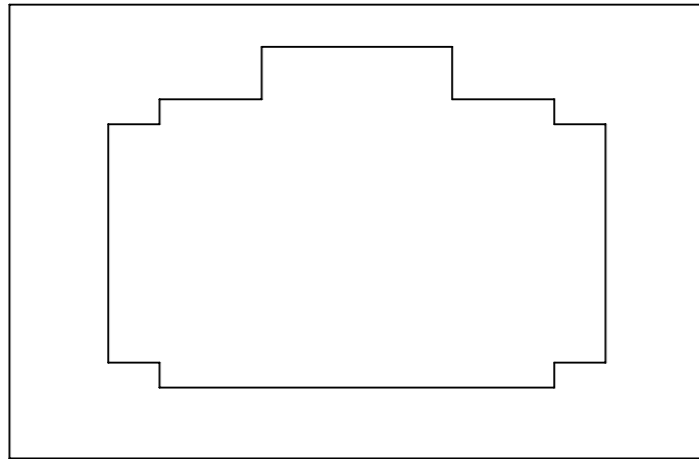
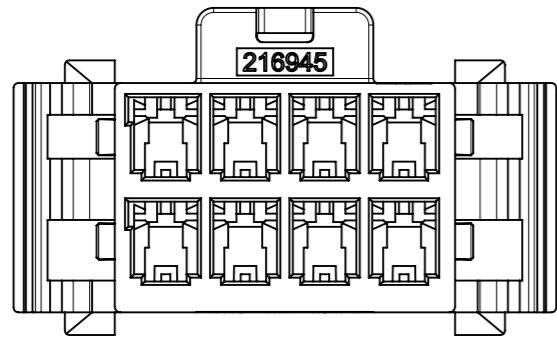
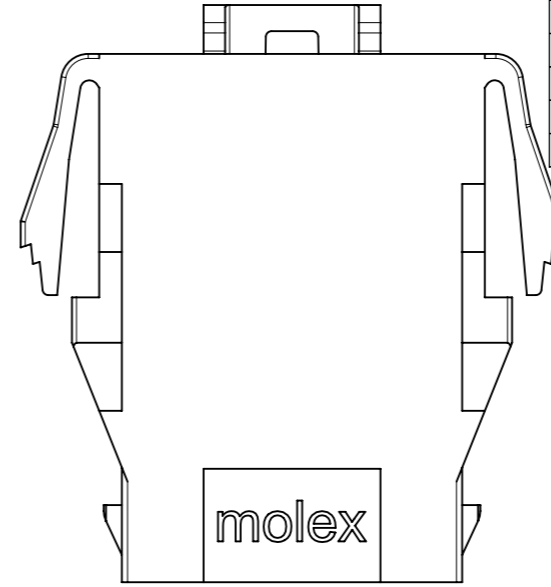
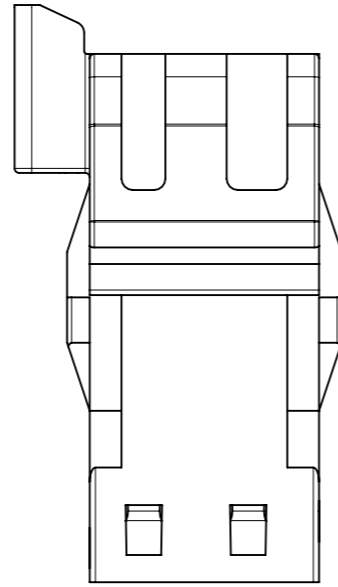
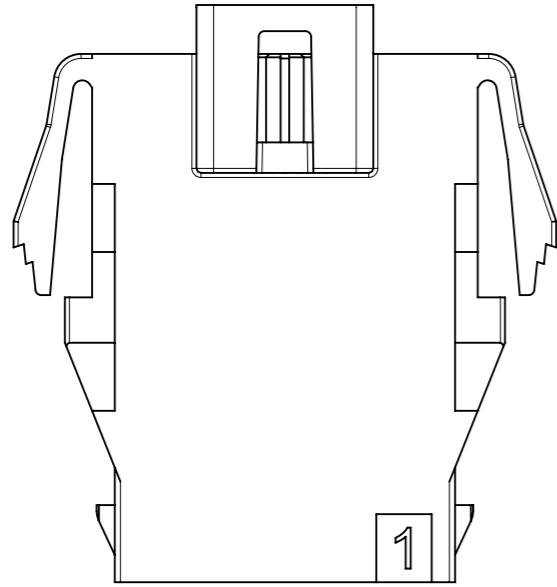


PLUG TERMINAL AND TPA ORIENTATION

| | | | | | | | | | |
|-----------------------------------------------------------------------------------------------------------------------------------------------|--|-------|--|---------------------------|--|-----------------|--|--------------------------------------------------|--|
| THIS DRAWING CONTAINS INFORMATION THAT IS PROPRIETARY TO MOLEX ELECTRONIC TECHNOLOGIES, LLC AND SHOULD NOT BE USED WITHOUT WRITTEN PERMISSION | | | | | | | | | |
| DIMENSION UNITS | | SCALE | | CURRENT REV DESC: | | | | molex | |
| mm | | NTS | | | | | | | |
| GENERAL TOLERANCES (UNLESS SPECIFIED) | | | | EC NO: 726545 | | | | PLUG HOUSING OF ULTRA-FIT WTW DR POWER CONNECTOR | |
| ANGULAR TOL ± ° | | | | DRWN: LEOW 2022/10/31 | | | | PRODUCT CUSTOMER DRAWING | |
| 4 PLACES ± | | | | CHK'D: EDUGGER 2022/11/01 | | | | DOCUMENT NUMBER | |
| 3 PLACES ± | | | | APPR: EDUGGER 2022/11/01 | | | | 2169451000-SD | |
| 2 PLACES ± 0.2 | | | | INITIAL REVISION: | | | | DOC TYPE | |
| 1 PLACE ± | | | | DRWN: GLLI 2021/07/06 | | | | PSD | |
| 0 PLACES ± | | | | APPR: EDUGGER 2022/11/01 | | | | DOC PART | |
| DRAFT WHERE APPLICABLE MUST REMAIN WITHIN DIMENSIONS | | | | THIRD ANGLE PROJECTION | | DRAWING | | REVISION | |
| | | | | | | A3-SIZE | | A | |
| | | | | SERIES | | MATERIAL NUMBER | | SHEET NUMBER | |
| | | | | 216945 | | SEE TABLE | | 3 OF 6 | |
| | | | | CUSTOMER | | GENERAL MARKET | | | |

PANEL MOUNT PLUG PARTS

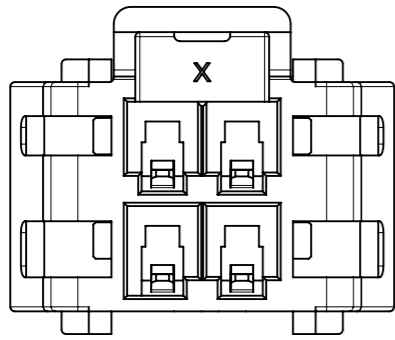
| PART NUMBER | CIRCUIT SIZE | DIM 'A' | DIM 'B' | COLOR | TYPE |
|-------------|--------------|---------|---------|---------|-------------|
| 216945-3104 | 4 | 8.0 | 16.92 | BLACK | PANEL MOUNT |
| 216945-3106 | 6 | 11.5 | 20.42 | | |
| 216945-3108 | 8 | 15.0 | 23.92 | | |
| 216945-3110 | 10 | 18.5 | 27.42 | | |
| 216945-3112 | 12 | 22.0 | 30.92 | | |
| 216945-3114 | 14 | 25.5 | 34.42 | | |
| 216945-4104 | 4 | 8.0 | 16.92 | NATURAL | |
| 216945-4106 | 6 | 11.5 | 20.42 | | |
| 216945-4108 | 8 | 15.0 | 23.92 | | |
| 216945-4110 | 10 | 18.5 | 27.42 | | |
| 216945-4112 | 12 | 22.0 | 30.92 | | |
| 216945-4114 | 14 | 25.5 | 34.42 | | |
| 216945-4116 | 16 | 29.0 | 37.92 | | |



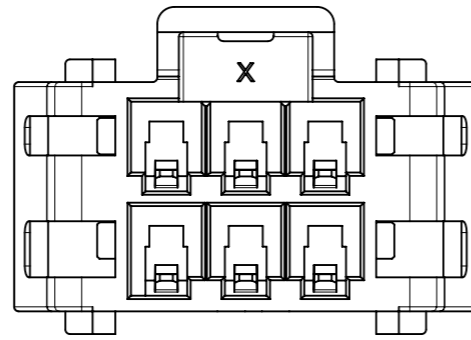
| COLOR FEATURE | |
|------------------------------------|--------------------------------------|
| BLACK | NATURAL |
| <p>KEY A FOR BLACK COLOR PARTS</p> | <p>KEY B FOR NATURAL COLOR PARTS</p> |

| | | | | | | | | | |
|-----------------------------------------------------------------------------------------------------------------------------------------------|-------|-----------------------------------------------------------------------------------------|------------|--------|-----------------|----------------|--------------|----------|----------|
| THIS DRAWING CONTAINS INFORMATION THAT IS PROPRIETARY TO MOLEX ELECTRONIC TECHNOLOGIES, LLC AND SHOULD NOT BE USED WITHOUT WRITTEN PERMISSION | | | | | | | | | |
| DIMENSION UNITS | SCALE | CURRENT REV DESC: | | | | | | | |
| mm | NTS | <p>PLUG HOUSING OF ULTRA-FIT WTW DR POWER CONNECTOR</p> <p>PRODUCT CUSTOMER DRAWING</p> | | | | | | | |
| GENERAL TOLERANCES (UNLESS SPECIFIED) | | | | | | | | | |
| ANGULAR TOL | ± ° | | | | | | | | |
| 4 PLACES | ± | | | | | | | | |
| 3 PLACES | ± | | | | | | | | |
| 2 PLACES | ± 0.2 | | | | | | | | |
| 1 PLACE | ± | EC NO: 726545 | 2022/10/31 | | DOCUMENT NUMBER | | | | |
| 0 PLACES | ± | DRWN: LEOW | 2022/11/01 | | 2169451000-SD | | DOC TYPE | DOC PART | REVISION |
| DRAFT WHERE APPLICABLE MUST REMAIN WITHIN DIMENSIONS | | THIRD ANGLE PROJECTION | DRAWING | SERIES | MATERIAL NUMBER | CUSTOMER | SHEET NUMBER | | |
| | | | A3-SIZE | 216945 | SEE TABLE | GENERAL MARKET | 4 OF 6 | | |

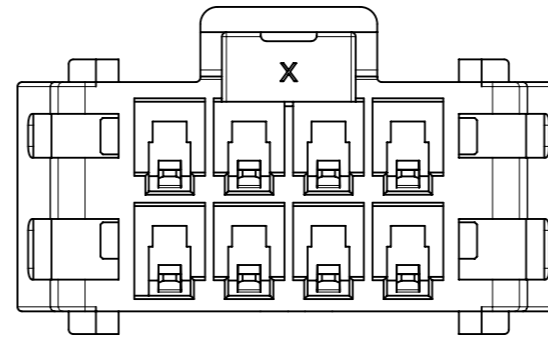
PANEL MOUNT PLUG PARTS



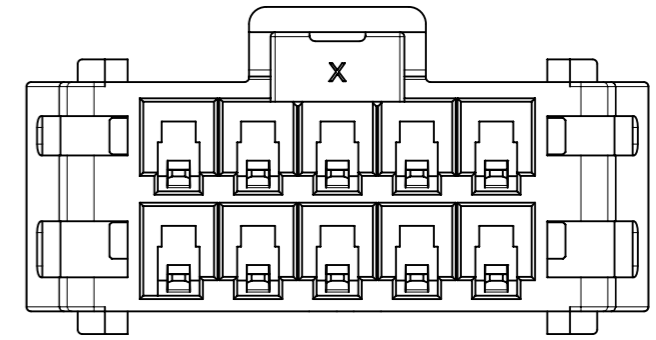
4 CKT



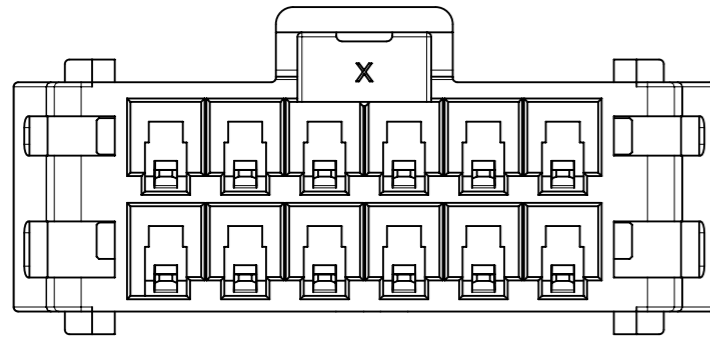
6 CKT



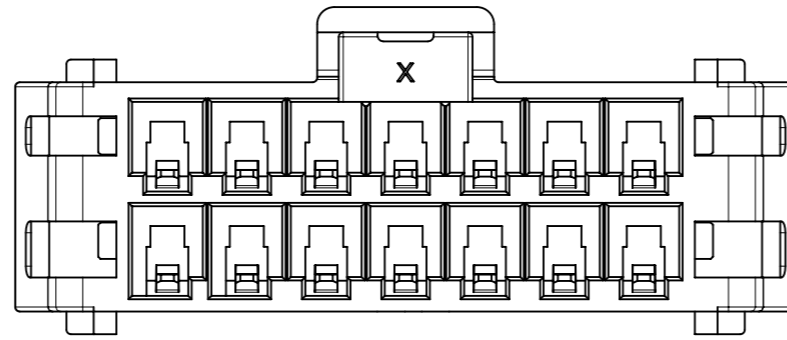
8 CKT



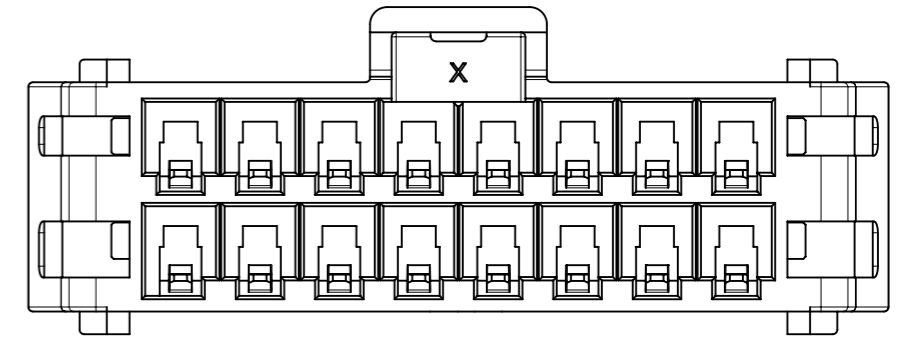
10 CKT




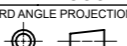
12 CKT



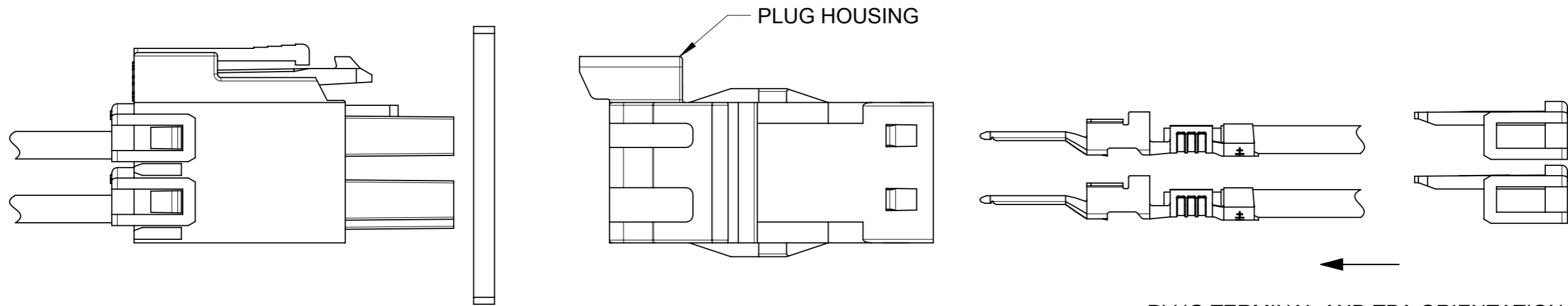
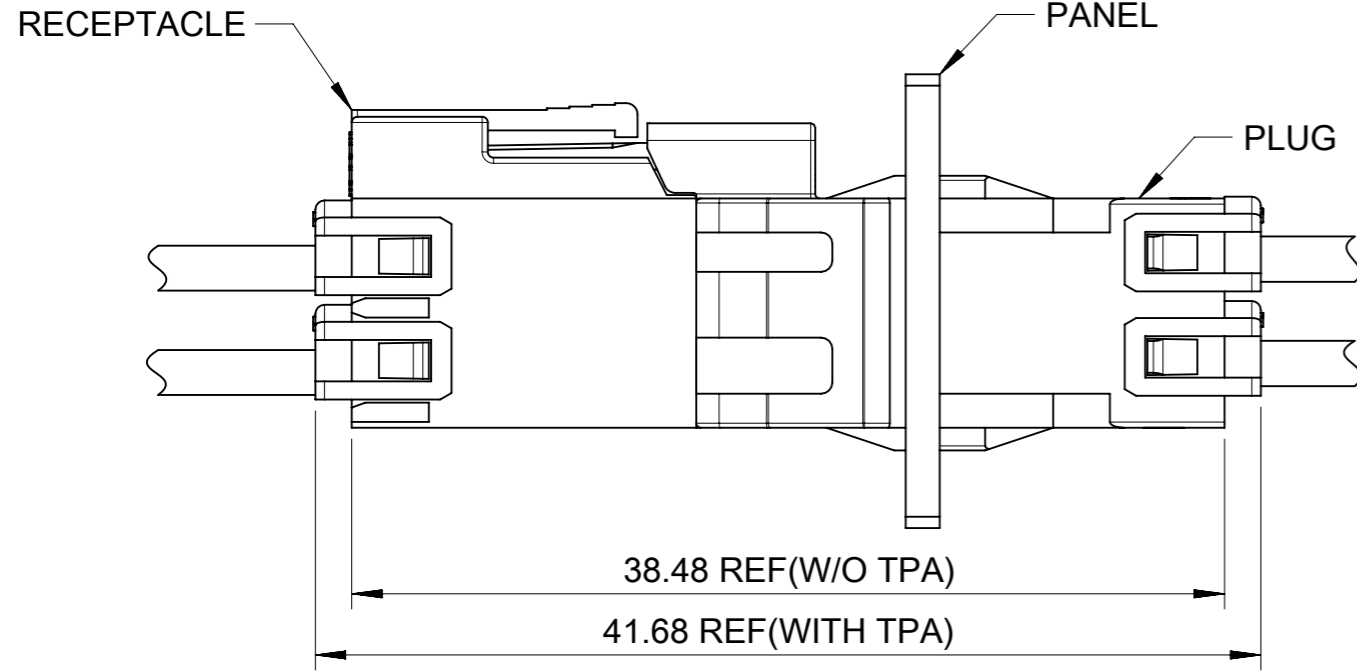
14 CKT



16 CKT

| | | | | | | | | | | |
|-----------------------------------------------------------------------------------------------------------------------------------------------|-------|---------------------------------------------------------------------------------------|--|---------|---------------------------------------------------------------------------------------|-----------------|----------------|----------|----------|--------------|
| THIS DRAWING CONTAINS INFORMATION THAT IS PROPRIETARY TO MOLEX ELECTRONIC TECHNOLOGIES, LLC AND SHOULD NOT BE USED WITHOUT WRITTEN PERMISSION | | | | | | | | | | |
| DIMENSION UNITS | SCALE | CURRENT REV DESC: | | |  | | | | | |
| mm | NTS | | | | | | | | | |
| GENERAL TOLERANCES (UNLESS SPECIFIED) | | EC NO: 726545 | | | PLUG HOUSING OF ULTRA-FIT WTW DR POWER CONNECTOR | | | | | |
| ANGULAR TOL | ± | ° | | | PRODUCT CUSTOMER DRAWING | | | | | |
| 4 PLACES | ± | DRWN: LEOW | | | 2022/10/31 | | | | | |
| 3 PLACES | ± | CHK'D: EDUGGER | | | 2022/11/01 | | | | | |
| 2 PLACES | ± | APPR: EDUGGER | | | 2022/11/01 | | | | | |
| 1 PLACE | ± | INITIAL REVISION: | | | DOCUMENT NUMBER | | | | | |
| 0 PLACES | ± | DRWN: GLLI | | | 2021/07/06 | | | | | |
| DRAFT WHERE APPLICABLE MUST REMAIN WITHIN DIMENSIONS | | THIRD ANGLE PROJECTION | | DRAWING | SERIES | MATERIAL NUMBER | CUSTOMER | DOC TYPE | DOC PART | REVISION |
| | |  | | A3-SIZE | 216945 | 2169451000-SD | GENERAL MARKET | PSD | 000 | A |
| | | | | | | SEE TABLE | | | | SHEET NUMBER |
| | | | | | | | | | | 5 OF 6 |

PANEL MOUNT PLUG PARTS



| | | | | | | | | | | | | |
|-----------------------------------------------------------------------------------------------------------------------------------------------|--|------------------------|--|---------------------------------------------------------------------------------------------------------------------------------------------------------------------------|--------|-----------------|----------|--------------------------------------------------|--------------|----------------|----------|--------------|
| THIS DRAWING CONTAINS INFORMATION THAT IS PROPRIETARY TO MOLEX ELECTRONIC TECHNOLOGIES, LLC AND SHOULD NOT BE USED WITHOUT WRITTEN PERMISSION | | | | | | | | | | | | |
| DIMENSION UNITS | | SCALE | | CURRENT REV DESC: | | | | molex | | | | |
| mm | | NTS | | | | | | | | | | |
| GENERAL TOLERANCES (UNLESS SPECIFIED) | | | | EC NO: 726545 DRWN: LEOW 2022/10/31 CHK'D: EDUGGER 2022/11/01 APPR: EDUGGER 2022/11/01 INITIAL REVISION: DRWN: GLLI 2021/07/06 APPR: EDUGGER 2022/11/01 | | | | PLUG HOUSING OF ULTRA-FIT WTW DR POWER CONNECTOR | | | | |
| ANGULAR TOL ± ° | | | | | | | | PRODUCT CUSTOMER DRAWING | | | | |
| 4 PLACES ± | | | | | | | | DOCUMENT NUMBER | | DOC TYPE | DOC PART | REVISION |
| 3 PLACES ± | | | | | | | | 2169451000-SD | | PSD | 000 | A |
| 2 PLACES ± 0.2 | | | | | | | | MATERIAL NUMBER | | CUSTOMER | | SHEET NUMBER |
| 1 PLACE ± | | | | | | | | SEE TABLE | | GENERAL MARKET | | 6 OF 6 |
| 0 PLACES ± | | | | DRAWING | SERIES | MATERIAL NUMBER | CUSTOMER | | SHEET NUMBER | | | |
| DRAFT WHERE APPLICABLE MUST REMAIN WITHIN DIMENSIONS | | THIRD ANGLE PROJECTION | | A3-SIZE | 216945 | GENERAL MARKET | | 6 OF 6 | | | | |

| | | | | |
|-----------------|----|--------------|------------|----------|
| DOCUMENT STATUS | P1 | RELEASE DATE | 2022/11/01 | 13:33:31 |
|-----------------|----|--------------|------------|----------|