

THIS DRAWING IS UNPUBLISHED.

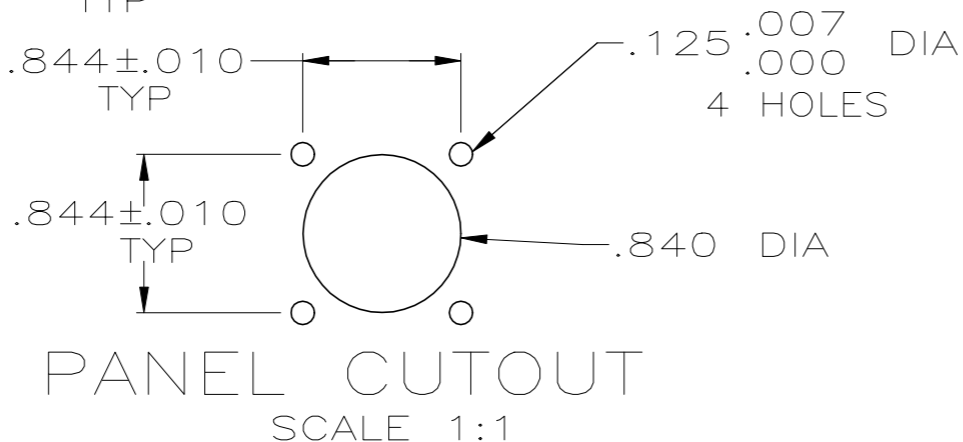
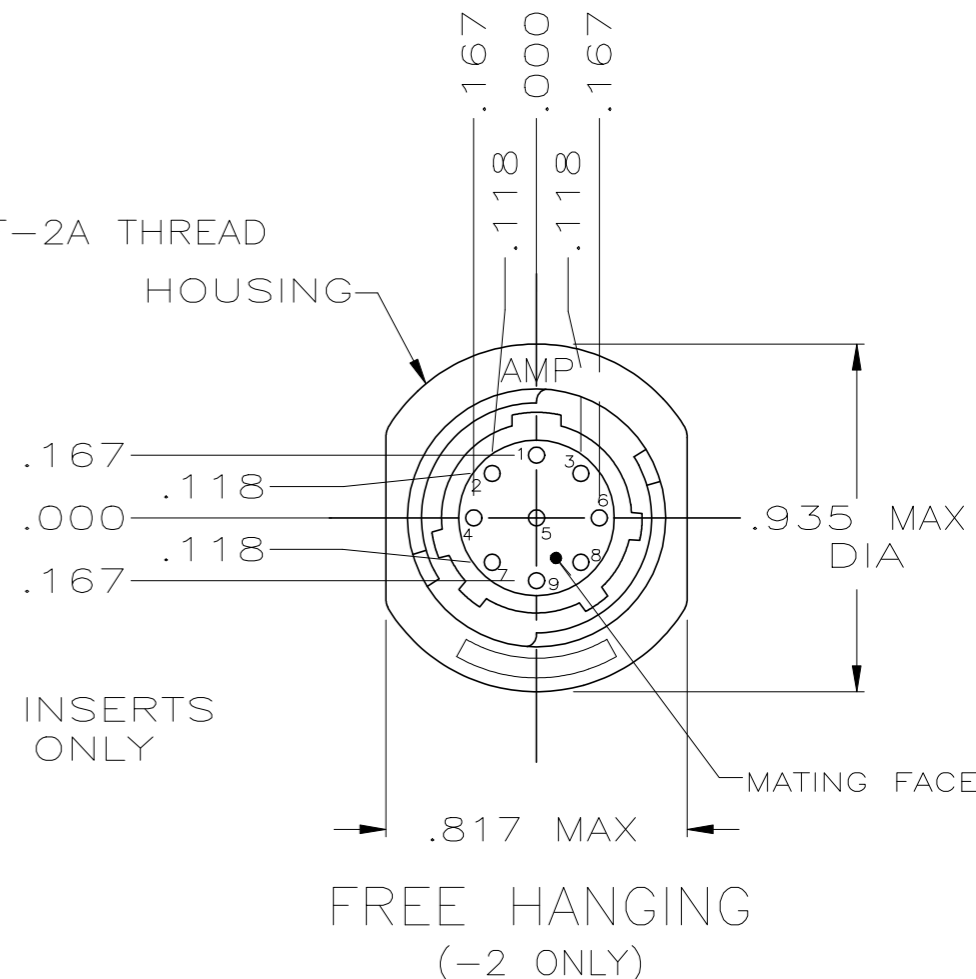
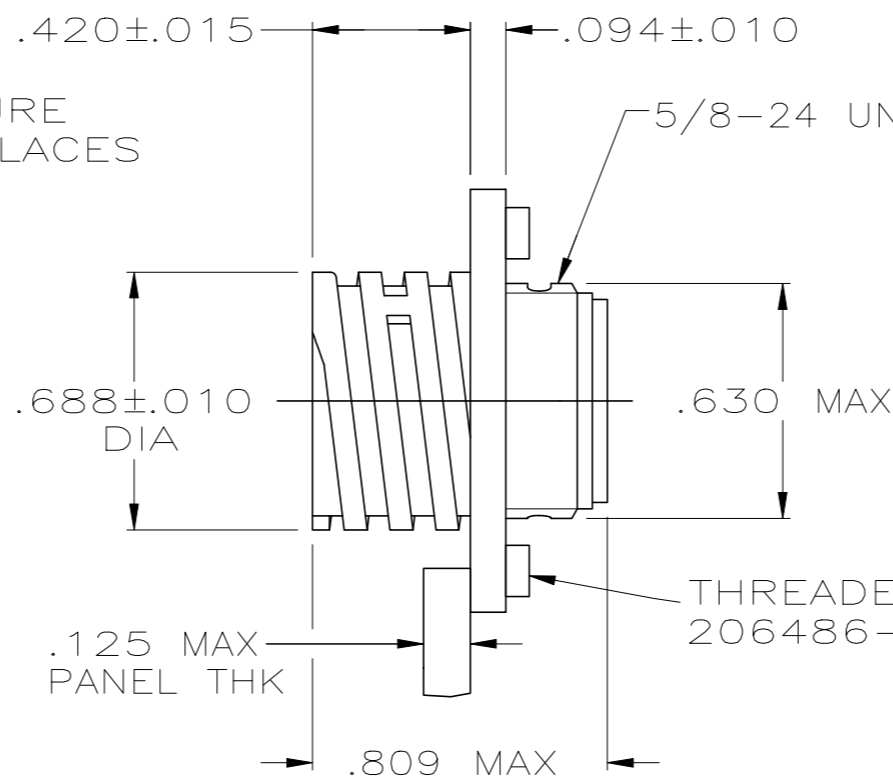
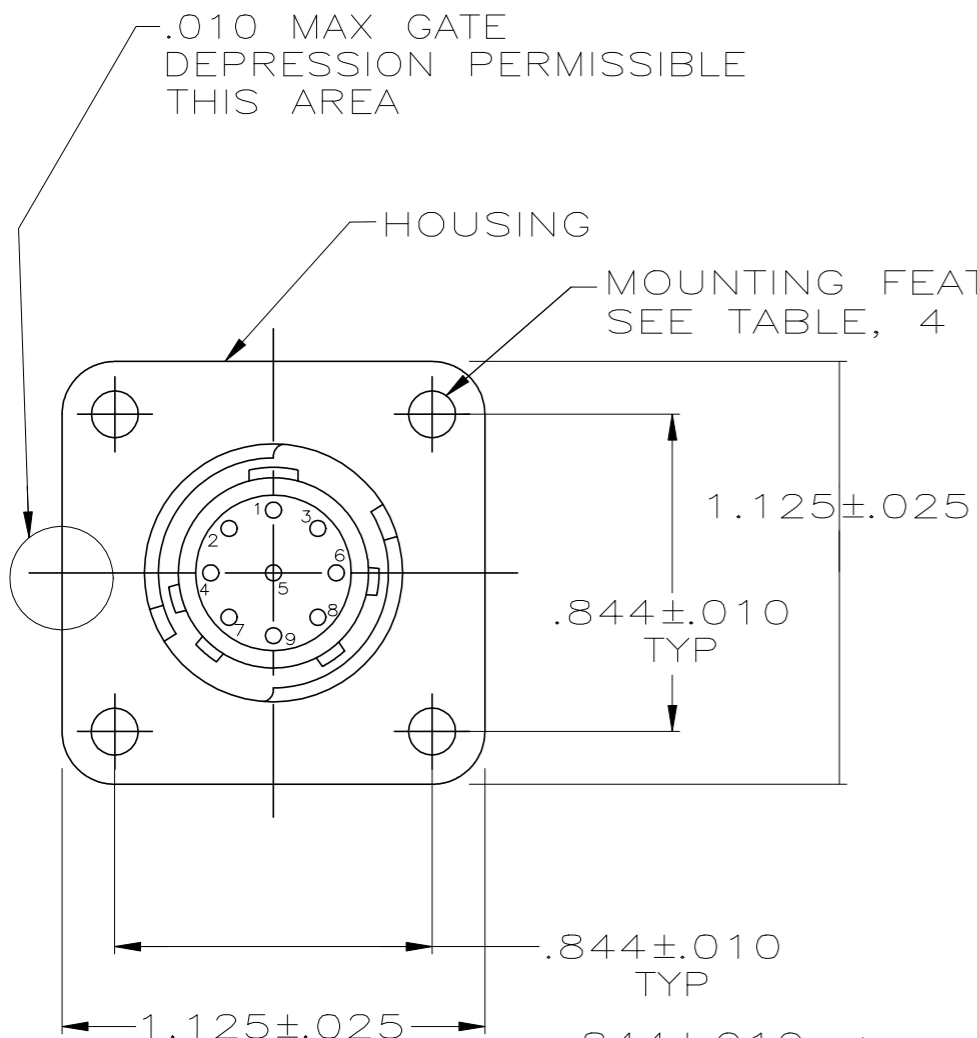
RELEASED FOR PUBLICATION

--

REVISIONS

© COPYRIGHT - By - ALL RIGHTS RESERVED.

P	LTR	DESCRIPTION	DATE	DWN	APVD
	K1	REVISED PER ECO-11-004587	11MAR11	RK	HMR
	L	REVISED PER ECO-19-014836	21OCT2019	RS	MZ



#4-40 THREADED INSERTS	206486-6
∅.125 HOLES	206486-2
∅.125 HOLES	206486-1
MOUNTING FEATURE	PART NUMBER

- CONTACT CAVITIES IDENTIFIED BY CHARACTERS ON FRONT AND REAR FACES OF CONNECTOR.
- WILL ACCEPT (9) SIZE 20 PIN CONTACTS.

3 MATERIALS:
 HOUSINGS: PA 66, BLACK
 THREADED INSERT: BRASS

THIS DRAWING IS A CONTROLLED DOCUMENT.		DWN	4/1/91		 TE Connectivity
		CHK	7-27-92		
		APVD	7-27-92		
DIMENSIONS: INCHES		TOLERANCES UNLESS OTHERWISE SPECIFIED:		NAME	
		0 PLC ± - 1 PLC ± - 2 PLC ± - 3 PLC ± .005 4 PLC ± - ANGLES ± -		K.BEAVER PRODUCT SPEC 108-10024 APPLICATION SPEC	
MATERIAL		FINISH		SIZE CAGE CODE DRAWING NO RESTRICTED TO A3 00779 C=206486 -	
3		-		WEIGHT - CUSTOMER DRAWING SCALE 2:1 SHEET 1 OF 1 REV L	