

1SNK900633R0000 ✓ ACTIVE

ENTRELEC | ENTRELEC HTP600

TE Internal #: 1SNK900633R0000

Terminal Block & Strip Marking Accessories, Label, Blank Mark
Details, Yellow, -55 – 110 °C [-67 – 230 °F], UL 94V-0, ENTRELEC
HTP600

[View on TE.com >](#)



Connectors > Terminal Blocks & Strips > Terminal Block & Strip Accessories > Terminal Block & Strip Marking Accessories



Marking Product Type: **Label**

Pre-Printed Mark Details: **Blank**

Primary Product Color: **Yellow**

Operating Temperature Range: **-55 – 110 °C [-67 – 230 °F]**

UL Flammability Rating: **UL 94V-0**

Features

Product Type Features

Marking Product Type	Label
----------------------	-------

Configuration Features

Number of Cards per Package	25
Number of Digits per Marker - Horizontal	36
Number of Digits per Marker - Vertical	25
Pre-Printed Mark Details	Blank

Body Features

Product Weight	10 g[.353 oz]
Primary Product Material	PVC & Adhesive Acrylic
Primary Product Color	Yellow

Dimensions

Product Depth	8.8 mm
Product Width	9 mm[.354 in]
Product Length	8.8 mm[.346 in]
Product Height	30 mm[1.18 in]

Usage Conditions

Installation Temperature Range	-5 – 40 °C[23 – 104 °F]
--------------------------------	-------------------------



Operating Temperature Range -55 – 110 °C[-67 – 230 °F]

Industry Standards

UL Flammability Rating UL 94V-0

Product Compliance

[For compliance documentation, visit the product page on TE.com>](#)

EU RoHS Directive 2011/65/EU	Compliant
EU ELV Directive 2000/53/EC	Compliant
China RoHS 2 Directive MIIT Order No 32, 2016	No Restricted Materials Above Threshold
EU REACH Regulation (EC) No. 1907/2006	Current ECHA Candidate List: JAN 2023 (233) Candidate List Declared Against: JAN 2023 (233) Does not contain REACH SVHC
Halogen Content	Not Low Halogen - contains Br or Cl > 900 ppm.
Solder Process Capability	Not reviewed for solder process capability

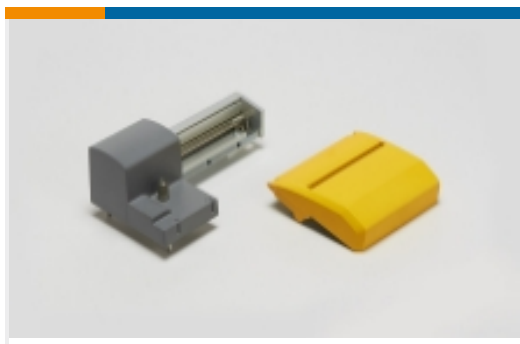
Product Compliance Disclaimer

This information is provided based on reasonable inquiry of our suppliers and represents our current actual knowledge based on the information they provided. This information is subject to change. The part numbers that TE has identified as EU RoHS compliant have a maximum concentration of 0.1% by weight in homogenous materials for lead, hexavalent chromium, mercury, PBB, PBDE, DBP, BBP, DEHP, DIBP, and 0.01% for cadmium, or qualify for an exemption to these limits as defined in the Annexes of Directive 2011/65/EU (RoHS2). Finished electrical and electronic equipment products will be CE marked as required by Directive 2011/65/EU. Components may not be CE marked. Additionally, the part numbers that TE has identified as EU ELV compliant have a maximum concentration of 0.1% by weight in homogenous materials for lead, hexavalent chromium, and mercury, and 0.01% for cadmium, or qualify for an exemption to these limits as defined in the Annexes of Directive 2000/53/EC (ELV). Regarding the REACH Regulation, the information TE provides on SVHC in articles for this part number is based on the latest European Chemicals Agency (ECHA) 'Guidance on requirements for substances in articles' posted at this URL: <https://echa.europa.eu/guidance-documents/guidance-on-reach>

Compatible Parts



Also in the Series | **ENTRELEC HTP600**



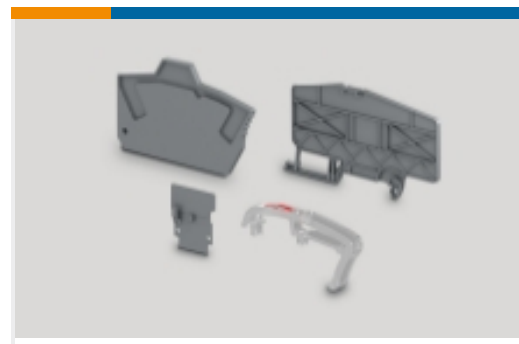
Printer Accessories(13)



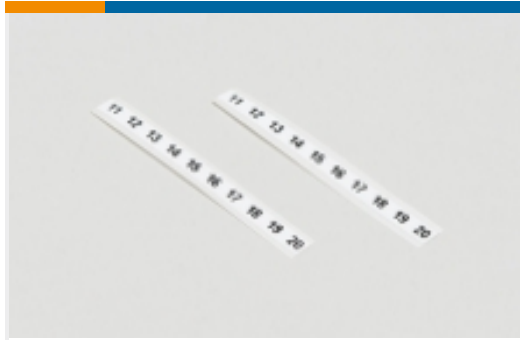
Printer Ribbons(4)



Printers(1)

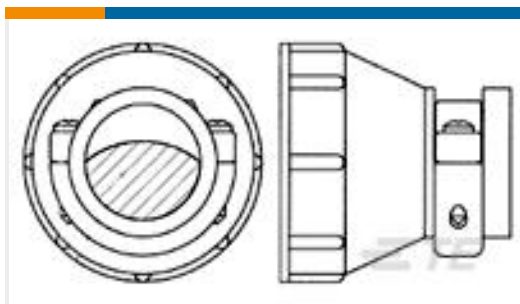


Terminal Block & Strip Insulating Accessories(3)



Terminal Block & Strip Marking Accessories(115)

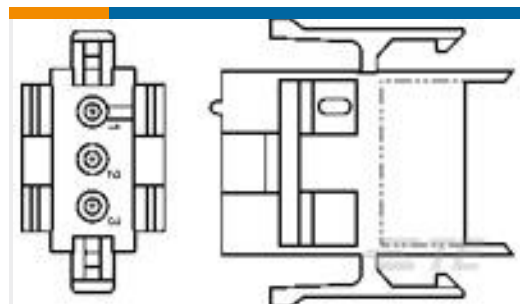
Customers Also Bought



TE Part #182661-1
CPC Cable Clamp Kit, Size 17, Large, UV



TE Part #316040-6
DYNAMIC D-5 REC CONT S L/P



TE Part #1-640508-0
03P MR II CAP HSG V0



TE Part #350812-1
STR/REL CLAMP UMNL



TE Part #350811-1
STR/REL CLAMP



TE Part #1718230-1
1,5MM PIN HSG 5-7 POS ASSY



TE Part #5-160429-2
187 FASTON REC 16-14 AWG TPBR



TE Part #1SNK140011R0000
MC512PA 1->10 (x10) Horizontal



TE Part #1-1103402-1
HA.4.Sti.S



TE Part #4-1105051-1
HN.D-C-BU.AG.1,5

Documents



Product Drawings

[MCLH-YL](#)

English

Datasheets & Catalog Pages

[Catalogue - HTP600 Thermal Transfer Printer and Markers](#)

English

[ENTRELEC Terminal Block - Master Catalog](#)

[ENTRELEC Terminal Block - Master Catalog](#)

English

[Datasheet - Htp600](#)

French

[MCLH-YL](#)

English

[SNK SERIES TERMINAL BLOCKS](#)

English

[Datasheet - Htp600 Thermal-Transfer-Printer-Marker](#)

English

[Datasheet - Htp600 Thermal-Transfer-Printer-Marker](#)

French

[ENTRELEC Terminal Blocks Catalogue \(RUS\)](#)