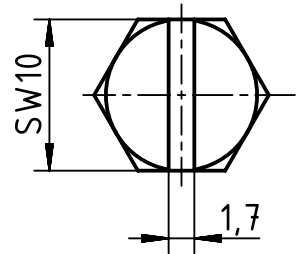
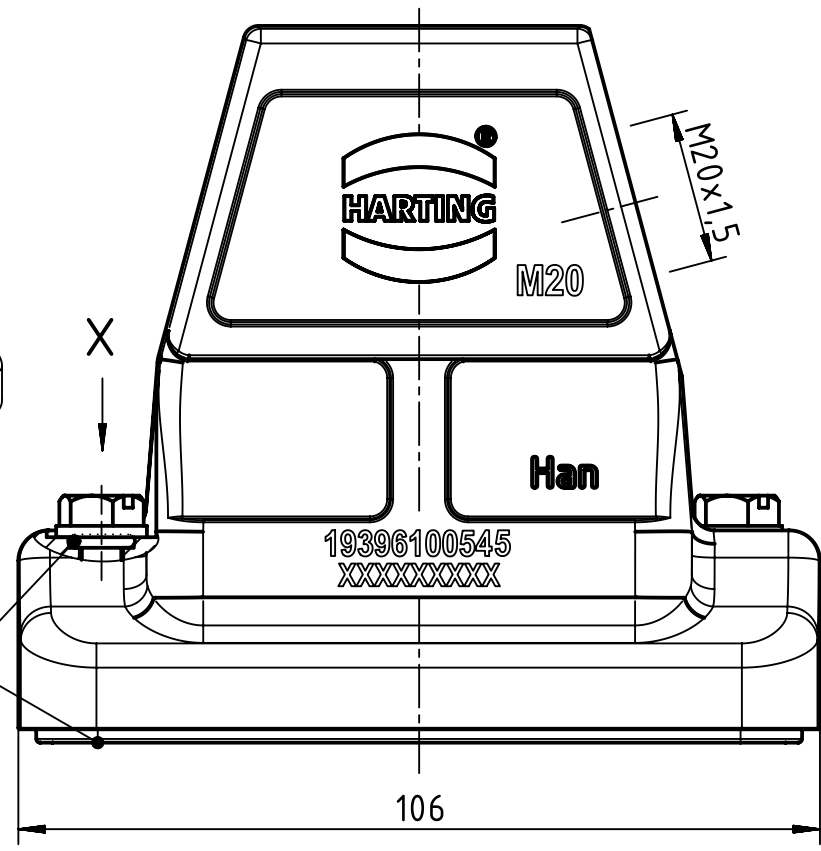


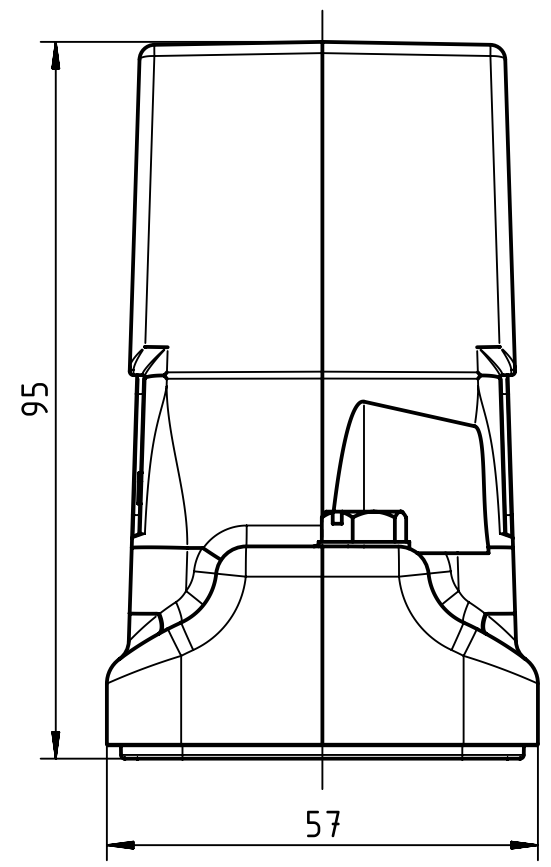
X (2:1)



Seal



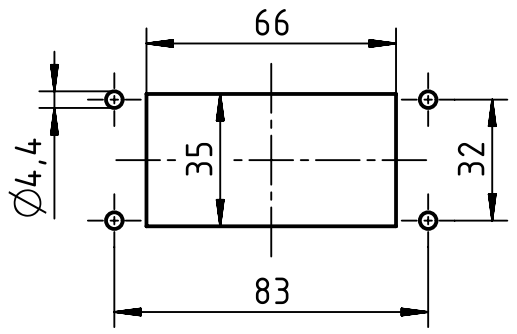
106




95

57

Panel cut out (1:2)



| | | | | | | | | | | | | |
|---|-----------------------|--|------------------------------------|--|--------------------------|--|--|--|--------------------|--|------------------------|--|
|  | All rights reserved | | Created by LONGL | | Inspected by WENE | | Standardisation RUETERA | | Date 2017-10-26 | | State Final Release | |
| | Department EL PD - CN | | Title Han 10HP Direct/B-HSE-M20 | | Number 19 39 610 0545 | | Doc-Key / ECM-Nr. 100663213/UGD/002/E 500000127060 | | Rev. E | | Page 1/1 | |
| HARTING (Zhuhai) Manufacturing Co., Ltd. 519085 Zhuhai, China | | | Scale 1:1 | | Free size tol. | | Ref. Sub. | | | | | |