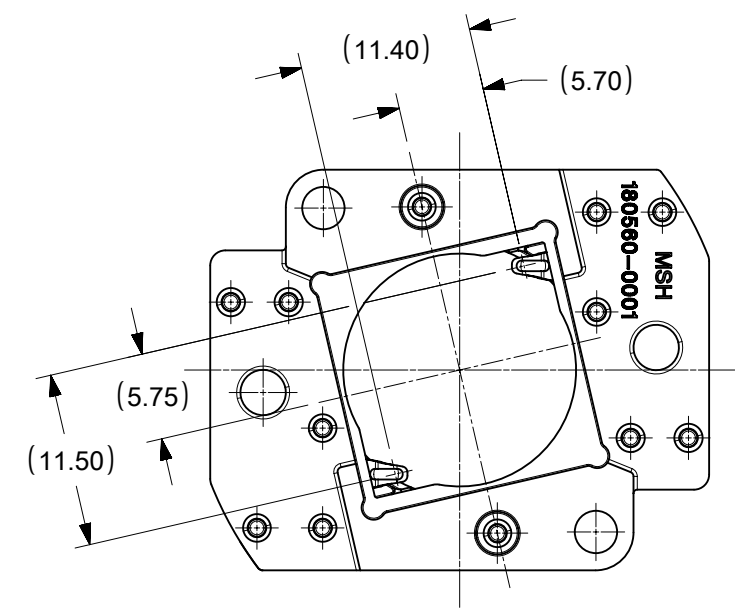
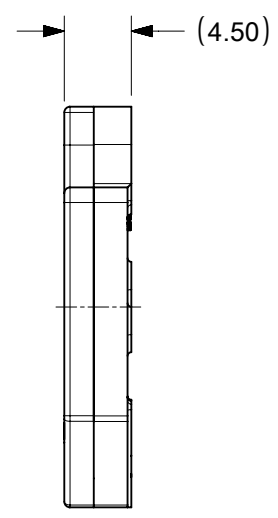
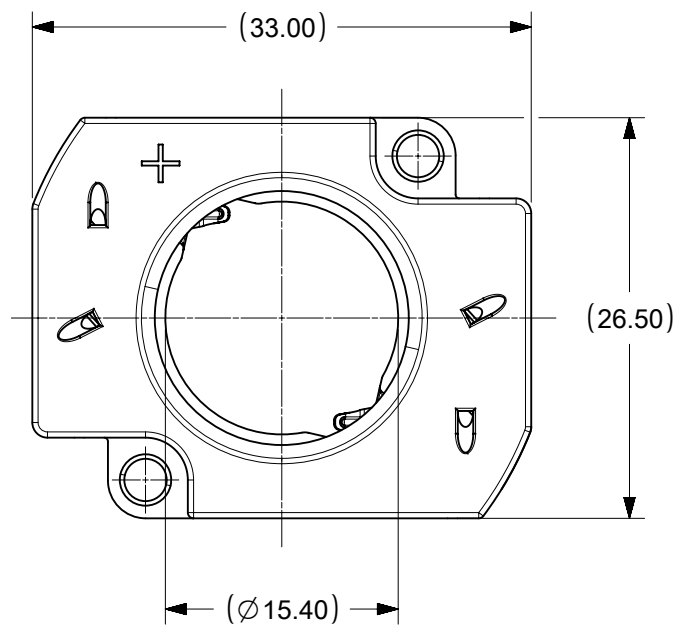
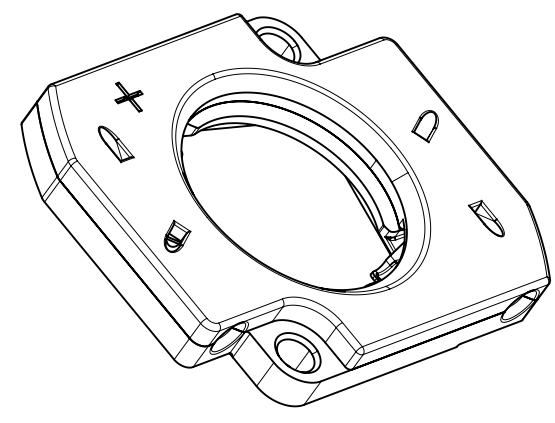
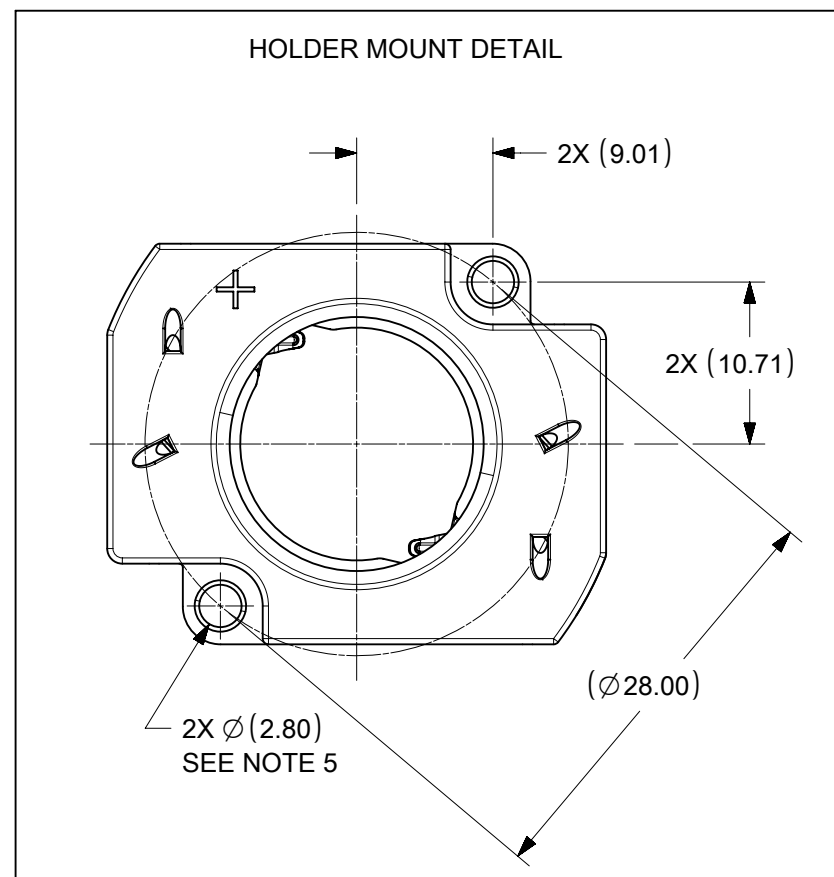


9	8	7	6	5	4	3	2	1
PART NUMBER	DESCRIPTION	MATERIAL	COLOR					
180560-0001	LED HOLDER - PBT	POLYESTER, GLASS FILLED	WHITE					



180560-0001



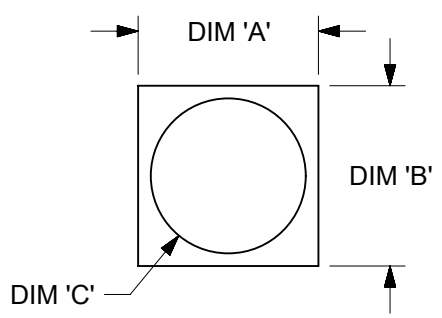
- NOTES:
- 1) MATERIALS: SEE CHART.
 - 2) WIRE TRAP TERMINALS: COPPER ALLOY.
 - a. FINISH: SELECTIVE GOLD OVER NICKEL.
 - 3) THIS PRODUCT IS ELV AND ROHS COMPLIANT.
 - 4) APPLICABLE WIRE GAUGE - 18 OR 22 AWG
 - a. SOLID WIRE IS RECOMMENDED.
 - b. IF STRANDED WIRE IS USED, PRE-TINNED IS RECOMMENDED.
 - c. 11.0mm±1.0mm STRIP LENGTH IS RECOMMENDED.
 - 5) MOUNT HOLDER USING M2.5 SCREWS (2); 0.40 MIN - 0.80 MAX NEWTON METERS TORQUE.
 - 6) ALL DIMENSIONS IN PARENTHESES "(X.XX)" ARE FOR REFERENCE ONLY.
 - 7) UL:OLFB2 UL496 FILE: E345583.

THIS DRAWING CONTAINS INFORMATION THAT IS PROPRIETARY TO MOLEX ELECTRONIC TECHNOLOGIES, LLC AND SHOULD NOT BE USED WITHOUT WRITTEN PERMISSION											
DIMENSION UNITS		SCALE		CURRENT REV DESC:						molex	
MM		2:1									
GENERAL TOLERANCES (UNLESS SPECIFIED)				EC NO: 612277						COB HOLDER ASSEMBLY	
				DRWN: AKUMAR19 2018/10/09						15.85MM X 15.85MM	
4 PLACES ±				CHK'D: AYIN 2019/02/19						PRODUCT CUSTOMER DRAWING	
3 PLACES ±				APPR: AYIN 2019/02/19						DOCUMENT NUMBER	
2 PLACES ± 0.13				INITIAL REVISION:						SD-180560-001	
1 PLACE ± 0.25				DRWN: FJAKLIC 2012/08/10						DOC TYPE DOC PART REVISION	
0 PLACES ±				APPR: DMCGOWAN 2012/08/17						PSD 001 B	
ANGULAR TOL ± 0.5°				DRAFT WHERE APPLICABLE MUST REMAIN WITHIN DIMENSIONS		THIRD ANGLE PROJECTION		DRAWING		SHEET NUMBER	
				B-SIZE		SERIES		MATERIAL NUMBER		CUSTOMER	
						180560		SEE TABLE		GENERAL MARKET	
										1 OF 2	

DOCUMENT STATUS	P1	RELEASE DATE	2019/02/19	04:35:12
-----------------	----	--------------	------------	----------

9 8 7 6 5 4 3 2 1

COB MFG	TYPE	DIM 'A'	DIM 'B'	THICKNESS	DIM 'C'
CREE	CXA1507	15.85	15.85	1.15	10.5
CREE	CXA1510	15.85	15.85	1.15	10.5
CREE	CXA1512	15.85	15.85	1.15	10.5
CREE	CXA1520	15.85	15.85	1.00	10.5
CREE	CXB1507	15.85	15.85	1.15	10.5
CREE	CXB1512	15.85	15.85	1.15	10.5
CREE	CXB1520	15.85	15.85	1.00	10.5
BRIDGELUX	H9	15.85	15.85	1.10	10.5



THIS DRAWING CONTAINS INFORMATION THAT IS PROPRIETARY TO MOLEX ELECTRONIC TECHNOLOGIES, LLC AND SHOULD NOT BE USED WITHOUT WRITTEN PERMISSION									
DIMENSION UNITS		SCALE		CURRENT REV DESC:				molex	
MM		1:1		EC NO: 612277					
GENERAL TOLERANCES (UNLESS SPECIFIED)				DRWN: AKUMAR19		2018/10/09		COB HOLDER ASSEMBLY	
				CHK'D: AYIN		2019/02/19		15.85MM X 15.85MM	
4 PLACES ±				APPR: AYIN		2019/02/19		PRODUCT CUSTOMER DRAWING	
3 PLACES ±				INITIAL REVISION:				DOCUMENT NUMBER	
2 PLACES ± 0.13				DRWN: FJAKLIC		2012/08/10		SD-180560-001	
1 PLACE ± 0.25				APPR: DMCGOWAN		2012/08/17		DOC TYPE DOC PART REVISION	
0 PLACES ±				ANGULAR TOL ± 0.5°				PSD 001 B	
DRAFT WHERE APPLICABLE MUST REMAIN WITHIN DIMENSIONS				THIRD ANGLE PROJECTION		DRAWING		MATERIAL NUMBER	
				B-SIZE		SERIES		CUSTOMER	
						180560		SEE TABLE GENERAL MARKET	
								SHEET NUMBER	
								2 OF 2	

DOCUMENT STATUS	P1	RELEASE DATE	2019/02/19	04:35:12
-----------------	----	--------------	------------	----------

9 8 7 6 5 4 3 2 1

FORMAT: Eng-hqg-master-ib-prod-8
REVISION: 0
DATE: 2018/01/18