

6

5

4

3

2

1

E

E

D

D

C

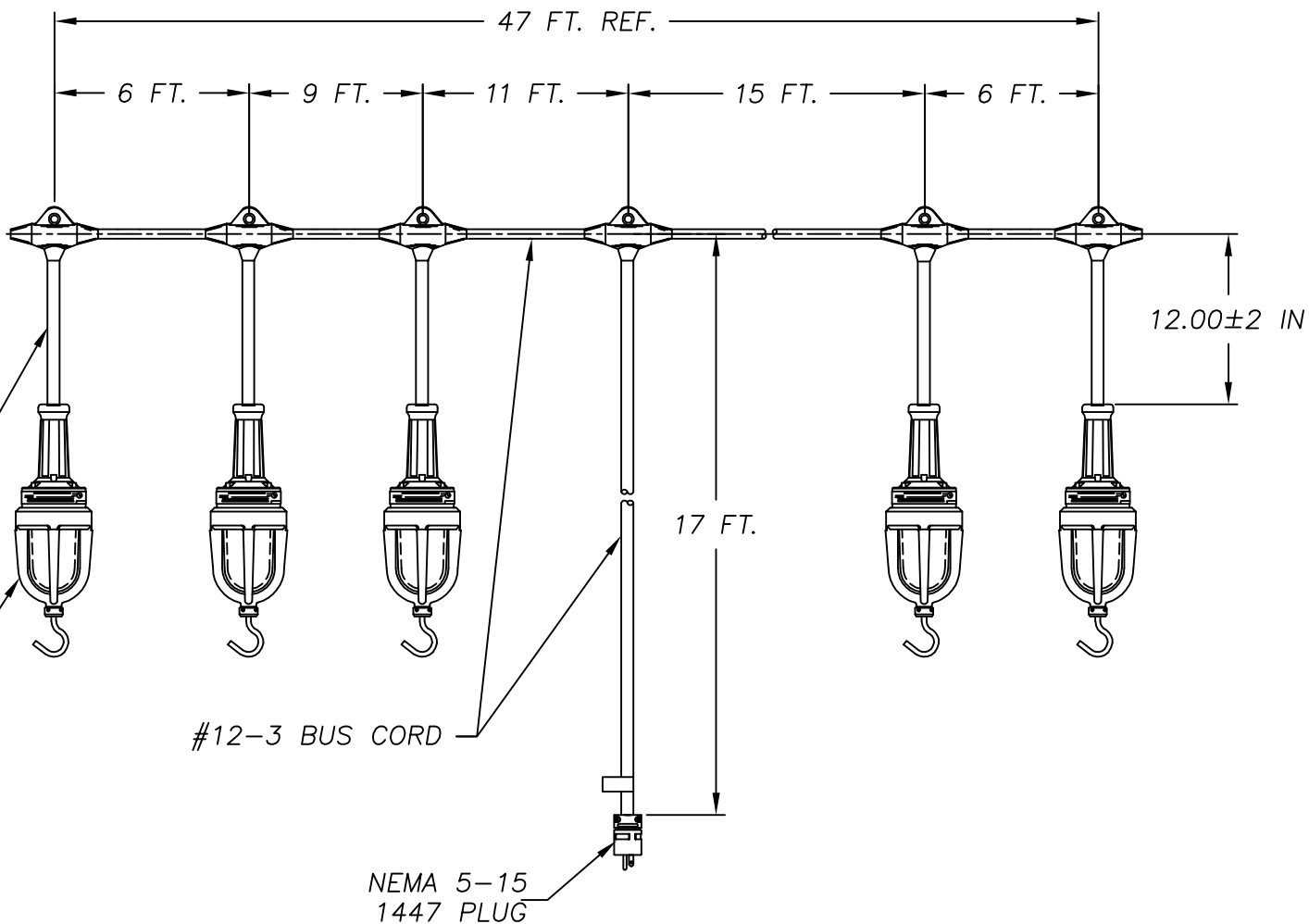
C

B

B

A

A



#14-3 CORD DROPS

(61430)
HAZARDOUS-DUTY
HANDLAMP 5 PLCS

#12-3 BUS CORD

NEMA 5-15
1447 PLUG

CUSTOMER DRAWING EC NO: WNA209-0835 DRWN: HKNEELAN 7/1/09 CHKD: HKNEELAN 2009/07/01 APPR: DTITUS 2009/08/03 REV A	QUALITY SYMBOLS	GENERAL TOLERANCES (UNLESS SPECIFIED)		DIMENSION STYLE	SCALE	DESIGN UNITS	THIRD ANGLE PROJECTION
	▽=0	mm	INCH	INCH	NTS	INCH	
	∇=0	4 PLACES	±----	±----	DRAWN BY	DATE	TITLE
		3 PLACES	±----	±----	HKNEELAN	2009/07/17	
		2 PLACES	±----	±----	CHECKED BY	DATE	MOLEX INCORPORATED
	1 PLACE	±----	±----	HKNEELAN	2009/07/17		
		ANGULAR ±.5°		APPROVED BY	DATE	DOCUMENT NO.	SHEET NO.
		DRAFT WHERE APPLICABLE MUST REMAIN WITHIN DIMENSIONS		DTITUS	2009/07/20	SD-130104-002	1 OF 1
				MATERIAL NO.	1301040064		
				SIZE	THIS DRAWING CONTAINS INFORMATION THAT IS PROPRIETARY TO MOLEX INCORPORATED AND SHOULD NOT BE USED WITHOUT WRITTEN PERMISSION		
				A			