

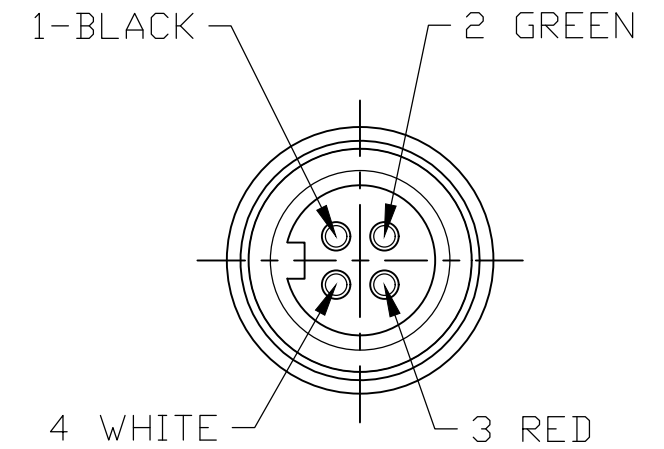
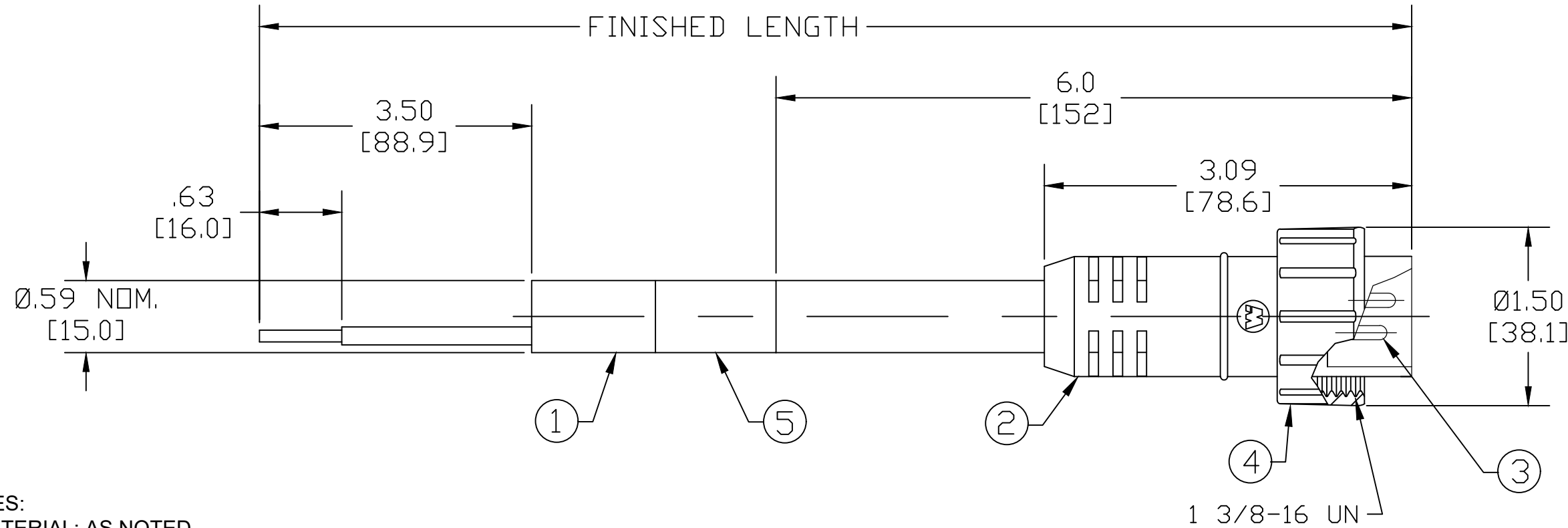
MATERIAL NO.	ENGINEERING NO.	FINISHED LENGTH
1300000069	32634	3.0 FT. [0.9M]
1300000070	32635	6.0 FT. [1.8M]
1300000082	32674	18.0 FT. [5.5M]
1300000237	604002C05F200	20.0 FT. [6.1M]
1300000239	604002C05F300	30.0 FT. [9.1M]

PART NUMBER LEGEND

604002C05F200

FINISHED LENGTH:
 F010= 1 FOOT
 F100= 10 FEET
 M005= 0.5 METER
 M010= 1 METER
 M100= 10 METER

CABLE LENGTH TOLERANCES	
>.3M [1FT]:	+19mm-0 [+ .75in-0]
.3 - .9M [1 - 3FT]:	+44.5mm-0 [+1.75in-0]
.9 - 1.8M [3 - 6FT]:	+55.6mm-0 [+2.19in-0]
1.8 - 3.7M [6 - 12FT]:	+88.9mm-0 [+3.50in-0]
3.7 - 7.3M [12 - 24FT]:	+165.1mm-0 [+6.50in-0]
7.3-14.6M [24 - 48FT]:	+317.5mm-0 [+12.50in-0]
14.6 - 30.5M [48-100FT]:	+622.3mm-0 [+24.50in-0]
OVER 30M [100FT]	+2% OF FINISHED LENGTH



MALE FACE VIEW

NOTES:

- MATERIAL: AS NOTED
- FINISH: AS NOTED
- ELECTRICAL:
VOLTAGE: 600V AC/DC
CURRENT: 15A
- TEMP RATING: -25°C TO +90°C
- PROTECTION: IP67 (WHEN MATED)
- COUPLING THREAD: AS NOTED
- ALL DIMS ARE FOR REFERENCE UNLESS TOLERENCED OR NOTED OTHERWISE

ITEM	COMPONENT	MATERIAL	FINISH
5	WRAP LABEL	VINYL	BLACK/YELLOW
4	COUPLING NUT	THERMOPLASTIC	BLACK
3	CONTACT PIN	COPPER ALLOY	UN-PLATED
2	OVERMOLD	RUBBER	YELLOW
1	CABLE-14 AWG S00W	CPE JACKET	YELLOW

SYMBOLS		THIS DRAWING CONTAINS INFORMATION THAT IS PROPRIETARY TO MOLEX ELECTRONIC TECHNOLOGIES, LLC AND SHOULD NOT BE USED WITHOUT WRITTEN PERMISSION		CURRENT REV DESC: RELEASED		
▽ = 0	MM	SCALE	1:1	molex QUICK CHANGE ASSEMBLY 4P MALE STRAIGHT #14-4 YELLOW SOW CORD		
▽ = 0	GENERAL TOLERANCES (UNLESS SPECIFIED)		EC NO: 624731			
▽ = 0	mm	INCH	DRWN: RSTONE			2019/09/24
▽ = 0	4 PLACES	±----	CHK'D: CCHRSTKA			2019/10/01
▽ = 0	3 PLACES	±----	APPR: BWOODMAN	2019/10/09	PRODUCT CUSTOMER DRAWING	
▽ = 0	2 PLACES	±----	INITIAL REVISION:		DOCUMENT NUMBER	
▽ = 0	1 PLACE	±----	DRWN: RSTONE	2019/09/24	1300000070	
▽ = 0	0 PLACES	±----	APPR: BWOODMAN	2019/10/09	PSD 000 A	
⊠ = 0	ANGULAR TOL ± ---- °		THIRD ANGLE PROJECTION		MATERIAL NUMBER	
■ = 0	DRAFT WHERE APPLICABLE MUST REMAIN WITHIN DIMENSIONS		DRAWING		CUSTOMER	
▽ = 0			B-SIZE		SEE MAT. NO. CHART	
				SERIES	GENERAL MARKET	
				130000	SHEET NUMBER	
				1 OF 1		