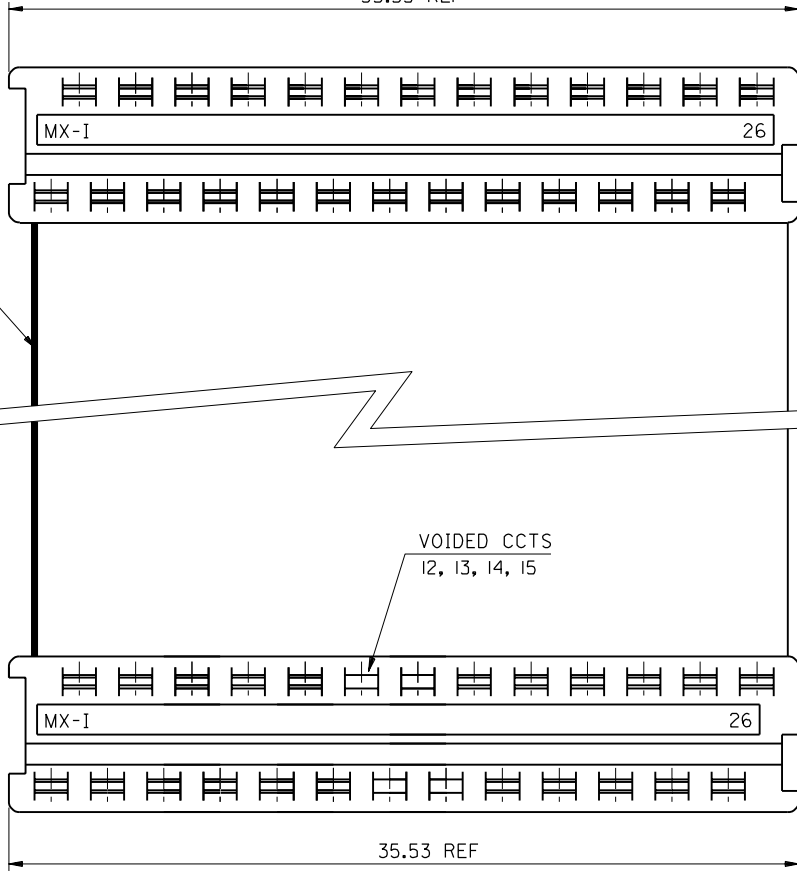
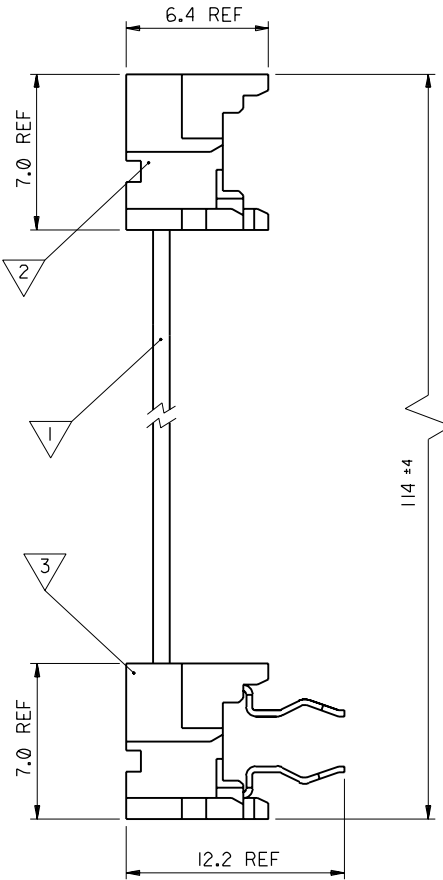


PART NO. 92308-0002  
 DWG. NO. SDA-92308-0002

35.53 REF



CIRCUIT No. 1  
IDENTIFICATION



ITEM	COMPONENT	DESCRIPTION	QUANTITY	NOTE
1	99026-0037	26 CCT 28 AWG STRANDED TINNED RIBBON CABLE	115mm	4
2	90327-0326	PICOFLEX FEMALE IDT CONNECTOR	1	1, 2
3	90584-9001	PICOFLEX BOARD-IN IDT CONNECTOR	1	1, 3

NOTES:

1. SEE PRODUCT SPECIFICATIONS PS-99020-0011.
2. SEE TERMINATION SPECIFICATION ES-99033-0001.
3. SEE TERMINATION SPECIFICATION ES-99033-0002.
4. SEE CABLE SPECIFICATION ES-99027-0006.

FOR PREVIOUS  
DRAWING ISSUES  
SEE MRI.

MODIFY TOLERANCE ECN E80 M8 97.10.13 DR	DRWG BY DR
LTR	CHK'D BY
	APP'D BY
	SCALE 5:1
DIMENSIONS SHOWN ( METRIC ) INCH UNLESS OTHERWISE SPECIFIED TOLERANCES: ANGULAR ± 1/2° INCH ( METRIC ) 3 PLACE ± . INCH ( METRIC ) 2 PLACE ± . INCH ( METRIC ) 1 PLACE ± . INCH ( METRIC ) DRAFT WHERE APPLICABLE MUST REMAIN WITHIN DIMENSIONS DESIGN DIMENSION <input checked="" type="checkbox"/> (MM) <input type="checkbox"/> IN. (PRIMARY) EQUIVALENT DIMENSION <input type="checkbox"/> (MM) <input type="checkbox"/> IN. (SECONDARY)	

CUSTOMER REF. No.	98AP-18B92I-FB
RELEASE No.	DELE E 10757096 000

REVISE ONLY ON CAD SYSTEM		SHL	REV.
CAD/CAM FILENAME 592308X2 DGN		THIS DRAWING CONTAINS INFORMATION THAT IS PROPRIETARY TO MOLEX INC. & SHOULD NOT BE USED WITHOUT WRITTEN PERMISSION	
TITLE PICOFLEX RIBBON CABLE HARNESS			
MOLEX MOLEX EUROPE		SHEET NO. 10F1	DATE 97/02/12
PART NO. 92308-0002	DWG NO. SDA-92308-0002	SIZE B	