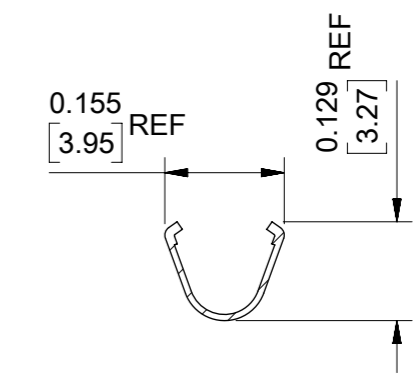
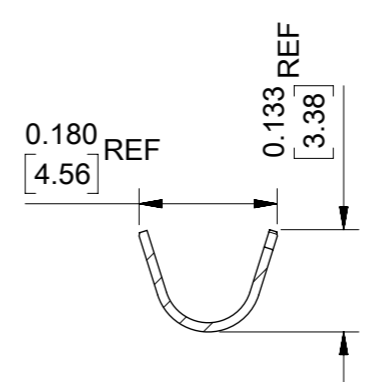
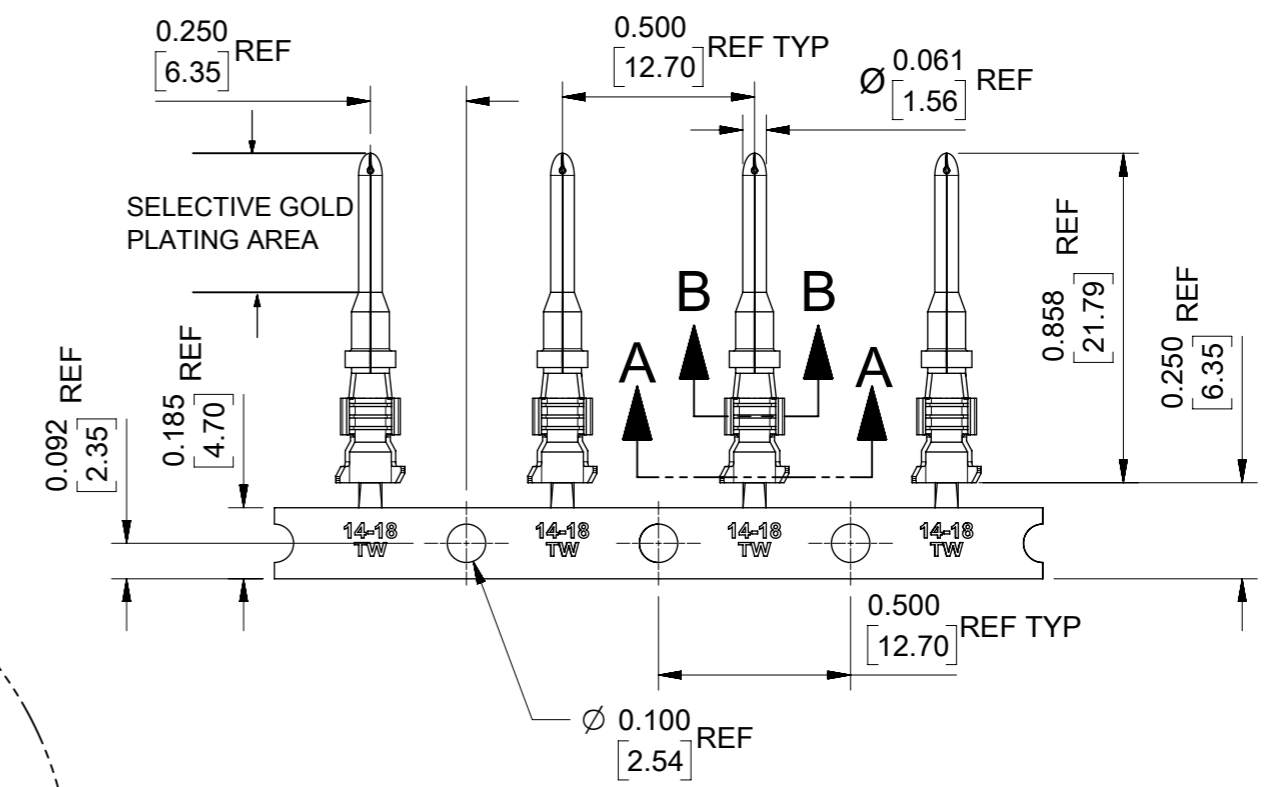
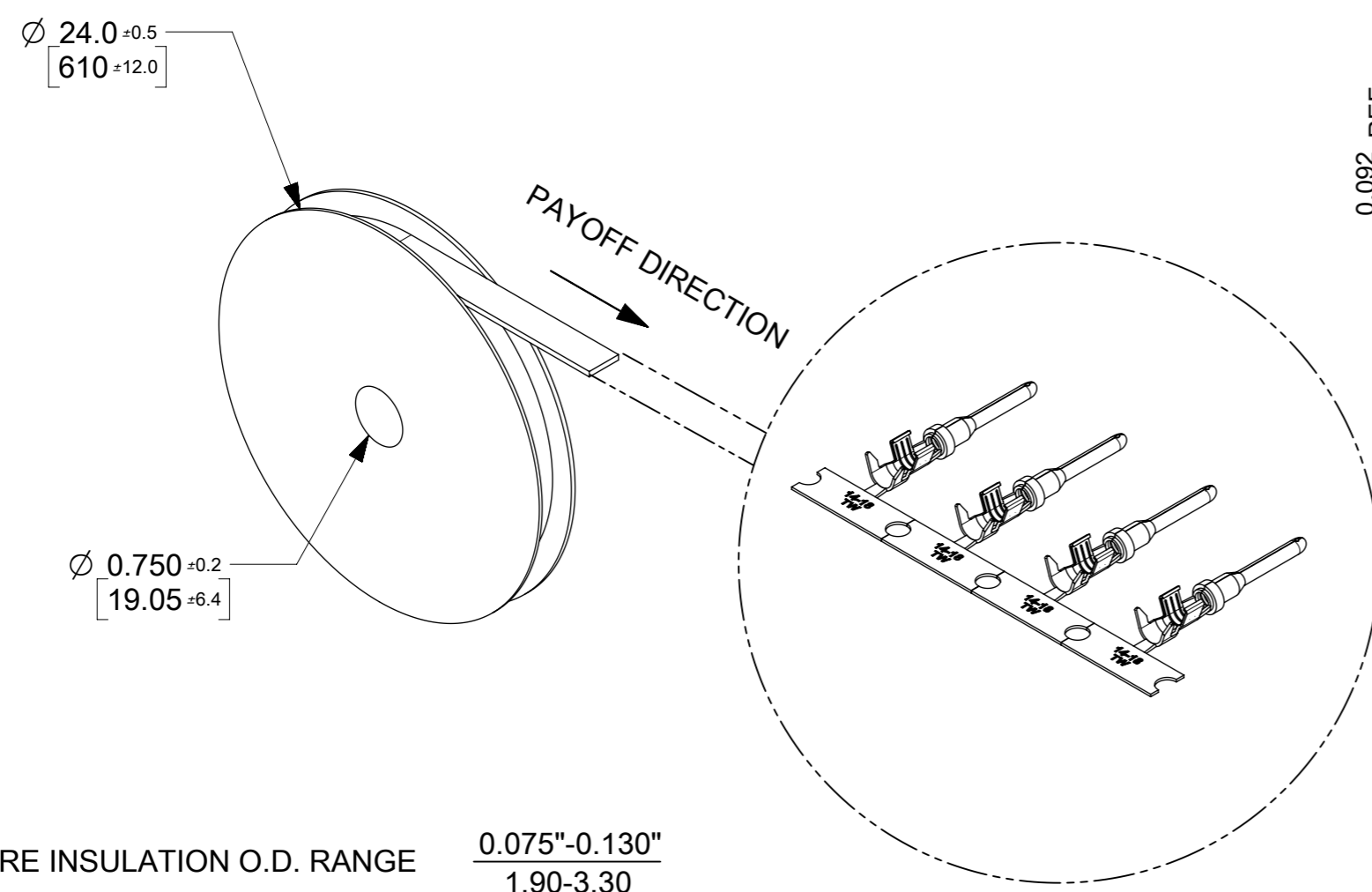


STRIP MATERIAL NUMBER	FINISH
84524-0008	OVERALL NICKEL 80μ" MINIMUM
84524-0016	SELECTIVE HARD GOLD 30μ" MINIMUM OVER NICKEL 50μ" MINIMUM ALL OVER



- NOTES:
1. MATERIAL: COPPER ALLOY .0118/0.300 THICK.
 2. FINISH: SEE CHART.
 3. STRIP PARTS ARE REELED 3000 PARTS PER REEL AS SHOWN ABOVE.
 4. TERMINAL FOR USE ON XRC & ML-XT CONNECTOR ASSEMBLIES.
 5. TERMINALS COMPLY WITH SECTION 5.3.2 OF THE SAE J1939-11 STANDARD FOR SURFACE VEHICLE RECOMMENDED PRACTICE.

SYMBOLS	THIS DRAWING CONTAINS INFORMATION THAT IS PROPRIETARY TO MOLEX ELECTRONIC TECHNOLOGIES, LLC AND SHOULD NOT BE USED WITHOUT WRITTEN PERMISSION		CURRENT REV DESC: UPDATED PIN TIP		molex
	DIMENSION UNITS	SCALE			
▽ = 0	INCH/[mm]	2:1			XRC PIN TERMINAL 14-18 AWG TW 0.075"-0.130" WIRE Ø
▽ = 0	GENERAL TOLERANCES (UNLESS SPECIFIED)				
▽ = 0	ANGULAR TOL ± 2.0°				PRODUCT CUSTOMER DRAWING
▽ = 0	4 PLACES ±		EC NO: 168799		
▽ = 0	3 PLACES ±		DRWN: JFLETCHER 2017/11/21		
▽ = 0	2 PLACES ± 0.13		CHK'D: JDWALLACE 2018/02/12		
▽ = 0	1 PLACE ± 0.2		APPR: JDWALLACE 2018/02/20		
▽ = 0	0 PLACES ±		INITIAL REVISION:		
☒ = 0	DRAFT WHERE APPLICABLE MUST REMAIN WITHIN DIMENSIONS		DRWN: JFLETCHER 2016/01/26	DRWN: JALEXANDER 2016/02/23	DOCUMENT NUMBER 845240020
▽ = 0	THIRD ANGLE PROJECTION	DRAWING	SERIES	MATERIAL NUMBER	CUSTOMER
		A3-SIZE	84524	SEE CHART	GENERAL MARKET
					DOC TYPE DOC PART REVISION PSD 000 B
					SHEET NUMBER 1 OF 1