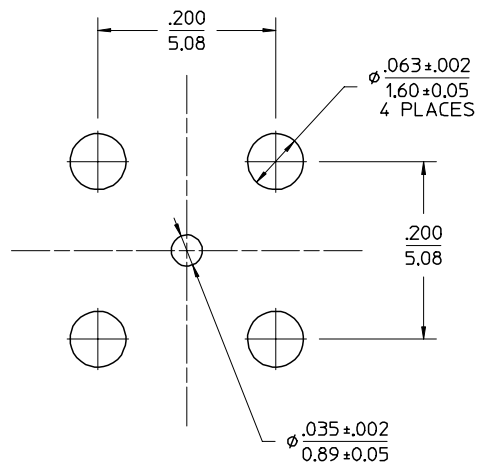


MATERIALS AND FINISHES:

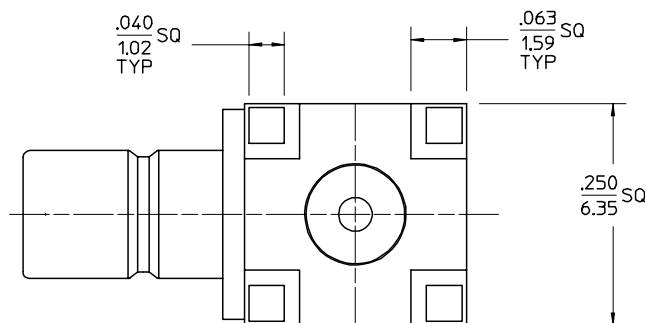
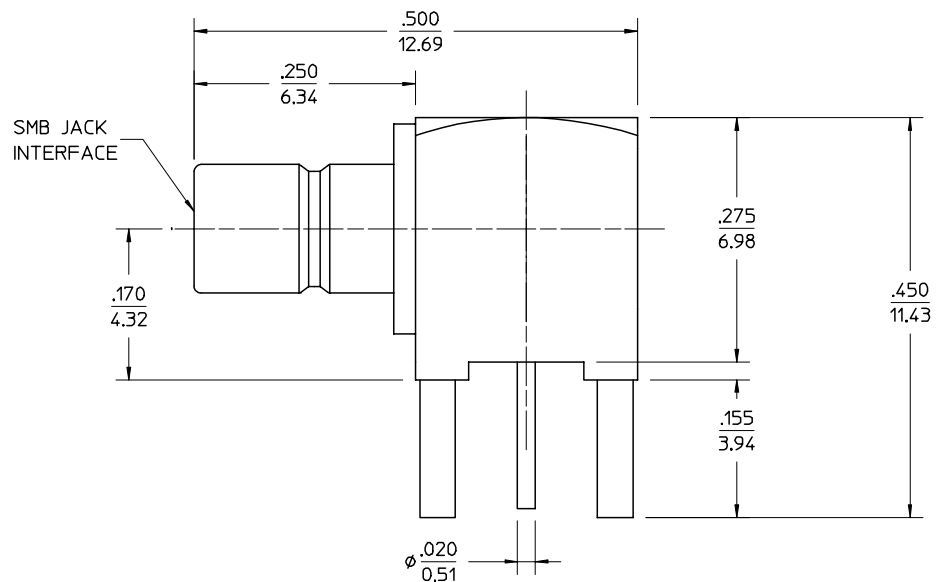
BODY: BRASS
PLATED: GOLD

CONTACT: PHOSPHOR BRONZE
PLATED: GOLD

INSULATOR: TEFLON



RECOMMENDED PCB LAYOUT



PART # 73404-0380

PS-73598-0093	ELECTRO/MECH PERFORMANCE
SPECIFICATION	DESCRIPTION

CHG: RELEASE DRAWING, UPDATED VIEW FOR REVISED CENTER CONTACT.	EC NO. URF-1901 DRWN: AZR 10/27/03 CHK: SSS 10/27/03 APPR: GMH 10/27/03	CHG: CONTACT MATERIAL WAS BRASS DRWN: SSS 10/22/03	CHG: ADDED AIR DIELECTRIC TO TITLE EC NO. URF-XXXX DRWN: JDW 05/21/03 CHK: XXX 00/00/00 APPR: XXX 00/00/00	CHG: EC NO. URF-XXXX DRWN: XXX 00/00/00 CHK: XXX 00/00/00 APPR: XXX 00/00/00	DESCRIPTION
A	3	2	1	REV	

UNLESS OTHERWISE SPECIFIED DIMS ARE INCHES AND ANGLES ARE DEGREES.

- ✓ 63 ALL OVER.
- NO CHATTER OR NON-UNIFORM SURFACE FINISH ALLOWED.
- PARTS TO BE FREE OF BURRS & SHARP EDGES .005 MAX BREAK.
- EXTERNAL THREADS TO BE ROLLED OR SINGLE POINT.
- DIAMETERS TO BE CONCENTRIC WITHIN .003 TIR.

QUALITY SYMBOLS
MAJOR
CRITICAL

GENERAL TOLERANCES: (UNLESS SPECIFIED)	
mm	INCH
4 PLACES	* .0005
3 PLACES	* .005
2 PLACES	* .01
1 PLACE	* .1
ANGULAR: ± 1/2°	
DRAFT WHERE APPLICABLE MUST REMAIN WITHIN DIMENSIONS	

SCALE	DESIGN UNITS
SSS 05/03/00	<input type="checkbox"/> mm <input checked="" type="checkbox"/> INCH
DRAWN BY & DATE	
SSS 05/03/00	
CHECKED BY & DATE	
TEF 05/03/00	
APPROVED BY & DATE	
GMH 05/03/00	
DESIGN REVIEW	
AZR, TEF, JDW, GMH SSS, BA 10/27/03	

THIRD ANGLE PROJECTION		DIMENSIONS:		1	A
<input type="checkbox"/> mm	<input checked="" type="checkbox"/> INCH	<input type="checkbox"/> mm	<input type="checkbox"/> ONLY	SHT	REV
TITLE:		REVISE ON CAD ONLY			
SMB, JACK, 75 OHM AIR DIELECTRIC, R/A, PCB SMB-J/RA/PCB					
MOLEX MOLEX INCORPORATED					
MATERIAL NO.	DRAWING NO.	SHEET NO.			
SEE NOTE	SD-73404-038	1 of 1			
THIS DRAWING CONTAINS INFORMATION THAT IS PROPRIETARY TO MOLEX INCORPORATED AND SHOULD NOT BE USED WITHOUT WRITTEN PERMISSION.				SIZE B	