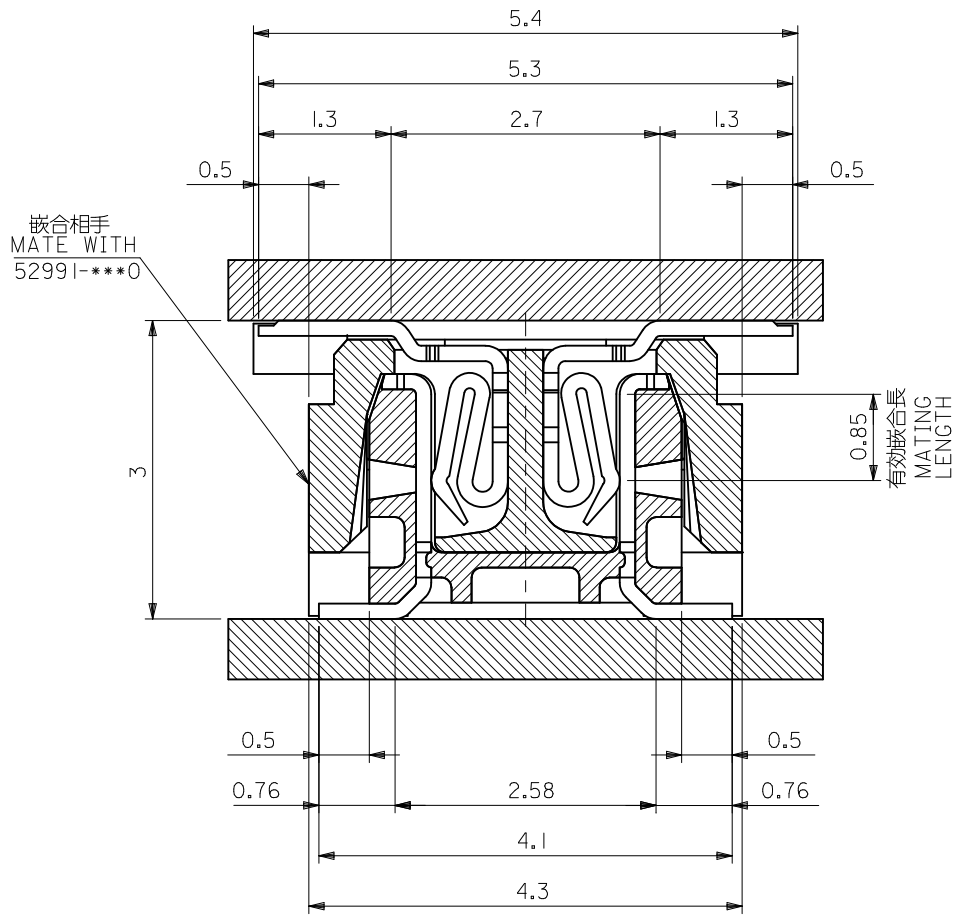


注記 NOTES:

1. 使用材料 MATERIAL  
ハウジング: LCPガラス入り (白), UL94V-0  
HOUSING: LCP (G.F.) (COLOR: WHITE), UL94V-0  
ターミナル: 黄銅 (t=0.15)  
TERMINAL: BRASS (t=0.15)  
テープ: ポリイミド (t=50µm)  
TAPE: PI (t=50µm)
2. メッキ仕様 PLATING  
全体仕上げ: 金メッキ 0.1µmMIN.  
ALL OVER: GOLD 0.1µmMIN.  
下地メッキ: ニッケルメッキ 1.5µmMIN.  
UNDER PLATING: NICKEL 1.5µmMIN.
3. 基準面 [X] からのソルダーテールの半田付け面のズレ量は、上方向 0、  
下方向 0.15MAX. とする。  
MISALIGNMENT OF SOLDER TAIL FROM [X]  
: UPPER DIRECTION 0, LOWER DIRECTION 0.15 MAX.  
△ (全極数/2) = 偶数の場合に適用。  
APPLY FOR (CIRCUIT/2)=EVEN.
- 5 嵌合相手: 52991 シリズ  
MATE WITH: 52991 SERIES.
- 6 テール平坦度は、0.1MAX.  
TAIL COPLANARITY TO BE 0.1MAX.
7. ELV 及びRoHS 適合品  
ELV AND RoHS COMPLIANT

7.0	23.8	20.24	19.5	53748-0804	53748-0802	80
7.0	16.3	12.74	12.0	53748-0504	53748-0502	50
4.0	11.3	7.74	7.0	53748-0304	53748-0302	30
D	C	B	A	EMBOSSSED TAPE ORDER NO.	MATERIAL NO.	極数 CIRCUIT

REVISED EC NO: J2010-1926 DRW: KTOYODA 2010/03/25 CHKD: S MARUYAMA 2010/03/26 APPR: MSASAO 2010/03/29	DESCRIPTION	GENERAL TOLERANCES (UNLESS SPECIFIED)		DIMENSION STYLE MM ONLY		SCALE 8:1	DESIGN UNITS METRIC	THIRD ANGLE PROJECTION	
		10 UNDER	±0.2	DRAWN BY S. AIHARA	DATE '96/2/27	TITLE 0.5 B/B CONN PLUG WITH TAPE (W/O BOSS W/O NAIL) SHEET 1 OF 2			
		10 OVER 30 UNDER	±0.25	CHECKED BY H. HIRAMOTO	DATE '96/3/16	MOLEX INCORPORATED			
		30 OVER	±0.3	APPROVED BY H. HIRAMOTO	DATE '96/3/16	DOCUMENT NO. SD-53748-003			
		ANGULAR	±3 °	SEE TABLE		SHEET NO. 1 OF 2			
		DRAFT WHERE APPLICABLE MUST REMAIN WITHIN DIMENSIONS		THIS DRAWING CONTAINS INFORMATION THAT IS PROPRIETARY TO MOLEX INCORPORATED AND SHOULD NOT BE USED WITHOUT WRITTEN PERMISSION					



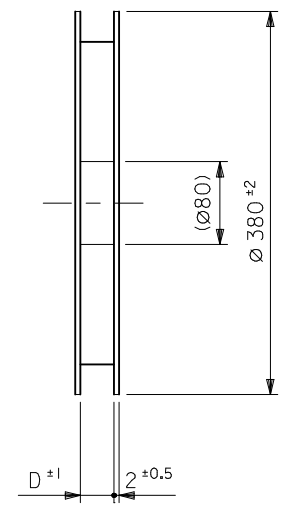
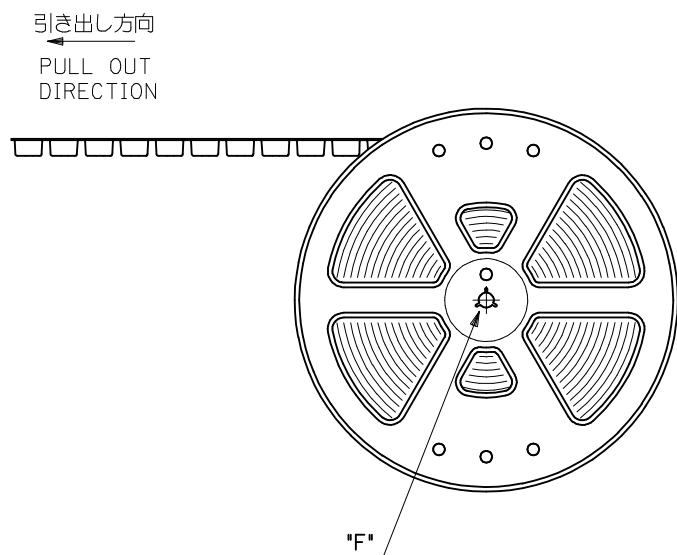
嵌合断面図 (参考)  
MATED DRAWING (REF.)

MODEL NO. 53748-\*\*\*2

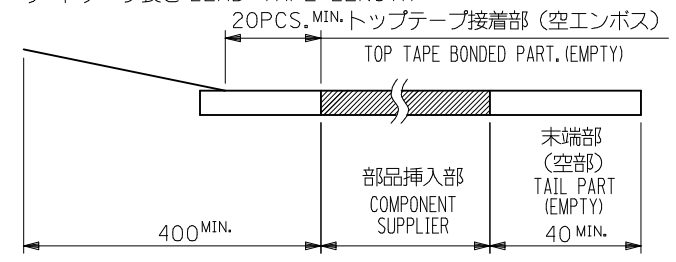
REVISED EC NO.: J2010-1926 DRW: K.TOYODA 2010/03/25 CHK: D.SMARUYAMA 2010/03/26 APPR: M.SASAO 2010/03/29	GENERAL TOLERANCES (UNLESS SPECIFIED)		DIMENSION STYLE MM ONLY		SCALE 20:1	DESIGN UNITS METRIC	THIRD ANGLE PROJECTION	
	10 UNDER	±---	DRAWN BY S. AIHARA	DATE '96/2/27	TITLE 0.5 B/B CONN PLUG WITH TAPE (W/O BOSS W/O NAIL) SHEET 2 OF 2			
	10 OVER 30 UNDER	±---	CHECKED BY H. HIRAMOTO	DATE '96/3/16				
	30 OVER	±---	APPROVED BY H. HIRAMOTO	DATE '96/3/16	MOLEX INCORPORATED DOCUMENT NO. SD-53748-003 SHEET NO. 2 OF 2			
ANGULAR ±---°		MATERIAL NO. SEE TABLE						
DRAFT WHERE APPLICABLE MUST REMAIN WITHIN DIMENSIONS		SIZE A3		THIS DRAWING CONTAINS INFORMATION THAT IS PROPRIETARY TO MOLEX INCORPORATED AND SHOULD NOT BE USED WITHOUT WRITTEN PERMISSION				

NOTES

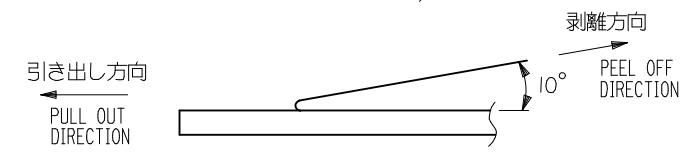
- 製品詳細寸法については図面 SD-53748-003 を参照下さい。  
RE DETAILED DIMENSION, SEE SD-53748-003
- 梱包数量：3000個/リール  
NUMBER OF CONNECTORS : 3000PCS/REEL
- リードテープ長さ LEAD TAPE LENGTH



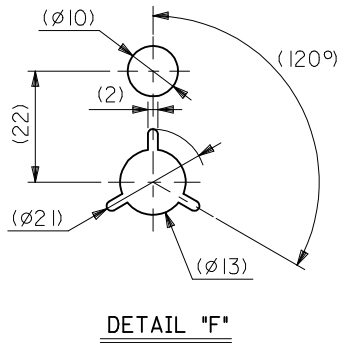
引き出し方向  
PULL OUT  
DIRECTION



- トップテープの剥離強度：0.1N ~ 0.7N(10.2gf ~ 71.4gf)  
(剥離方向は下図参照)  
尚、本規格値は出荷時に適用。(但し、輸送時に剥離が発生しないこと。)  
PEELING OFF FORCE OF TOP TAPE : 0.1N ~ 0.7N(10.2gf ~ 71.4gf)  
(PEELING DIRECTION AS SHOWN IN FOLLOWING FIG.)  
THIS REQUIREMENT SHOULD BE APPLIED AT SHIPMENT.  
PEEL OFF SHOULD NOT BE ALLOWED , DURING TRANSPORTATION.

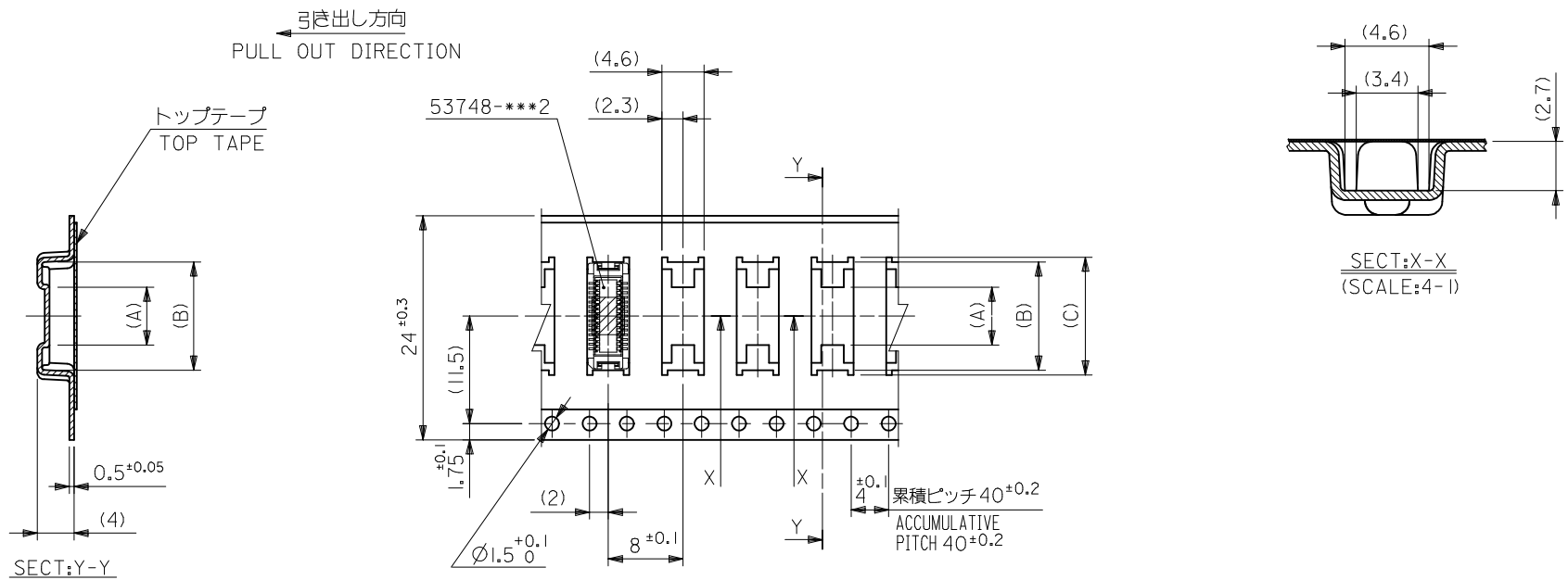


- 材料 (MATERIAL)  
キャリアテープ (CARRIER TAPE) : ポリプロピレン (POLYPROPYLENE)  
トップテープ (TOPTAPE) : PET , PE , PEF  
リール (REEL) : ポリスチレン (PS) <リサイクル材を含む>  
POLYSTYREN(PS) <RECYCLE MATERIAL CONTAINED>



MODEL NO. 53748-\*\*\*4

REVISED EC NO: J2009-0487 D DRWN:NAKAMURA 2008/12/08 CHKD:T. HARUYAMA 2008/12/08 APPR:NUKITA 2009/01/09	GENERAL TOLERANCES (UNLESS SPECIFIED)		DIMENSION STYLE MM ONLY	SCALE ---	DESIGN UNITS METRIC	THIRD ANGLE PROJECTION
	10 UNDER	±0.2	DRAWN BY S. AIHARA	DATE '96/3/25	TITLE 0.5 BTB KONN PLUG WITH	
	10 OVER 30 UNDER	±0.25	CHECKED BY T. ITO	DATE '01/1/22	MOLEX INCORPORATED	
	30 OVER	±0.3	APPROVED BY M. FUKUSHIMA	DATE '01/1/22	DOCUMENT NO. SD-53748-004	SHEET NO. 1 OF 4
	ANGULAR ±3 °		MATERIAL NO. SEE TABLE	THIS DRAWING CONTAINS INFORMATION THAT IS PROPRIETARY TO MOLEX INCORPORATED AND SHOULD NOT BE USED WITHOUT WRITTEN PERMISSION		
DRAFT WHERE APPLICABLE MUST REMAIN WITHIN DIMENSIONS						

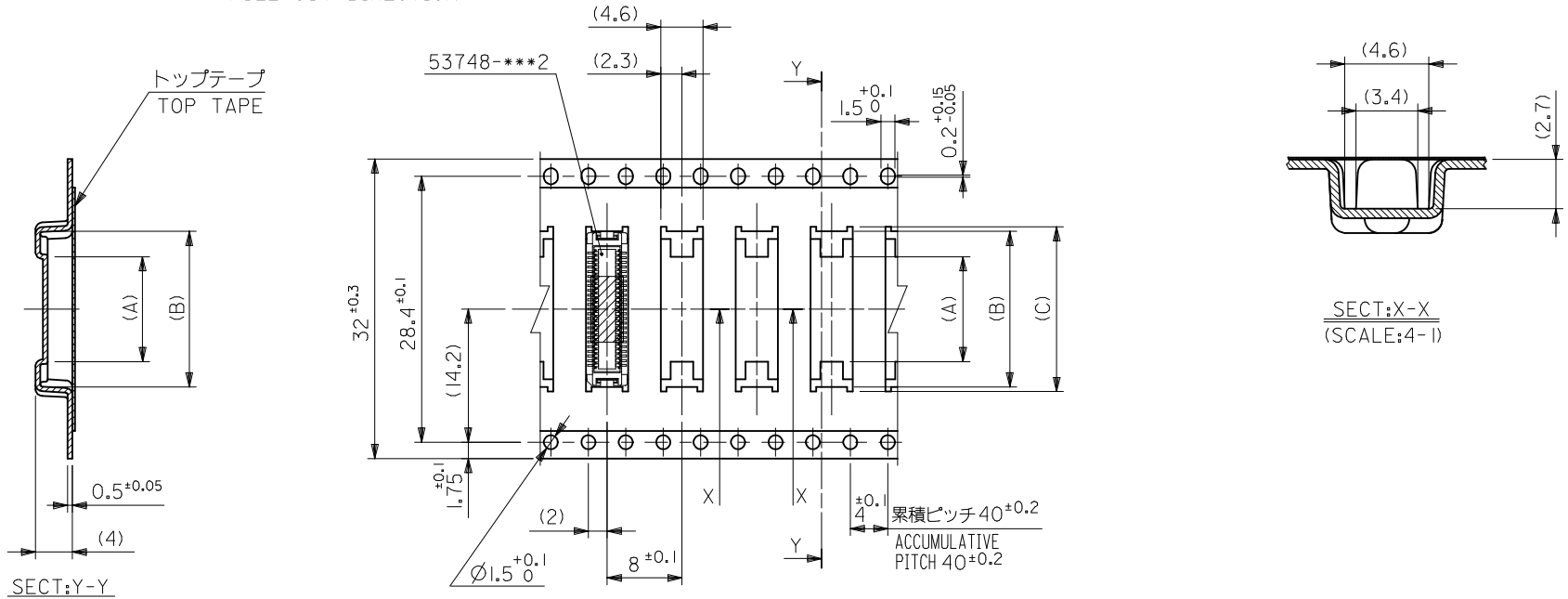


24mm幅キャリアテープ  
24mm WIDTH CARRIER TAPE

24	25.5	12.6	11.6	4.9	53748-0304	30
キャリアテープ幅 CARRIER TAPE WIDTH	D	(C)	(B)	(A)	MATERIAL NO.	極数 CKT.
					MODEL NO.	53748-***4

REVISED EC NO.: J2009-0487 DRWN: NAKAMURA 2008/12/08 CHK'D: T. HARUYAMA 2008/12/08 APPR: NUKITA 2009/01/09	DESCRIPTION REV	GENERAL TOLERANCES (UNLESS SPECIFIED)		DIMENSION STYLE MM ONLY		SCALE ---	DESIGN UNITS METRIC		THIRD ANGLE PROJECTION		
		10 UNDER	± ---	DRAWN BY	DATE	TITLE					
		10 OVER 30 UNDER	± ---	S. AIHARA	'96/4/1	0.5 BTB CONN PLUG WITH					
		30 OVER	± ---	CHECKED BY	DATE	MOLEX INCORPORATED					
ANGULAR ± --- ° DRAFT WHERE APPLICABLE MUST REMAIN WITHIN DIMENSIONS		APPROVED BY M. FUKUSHIMA '01/1/23		MATERIAL NO. SEE TABLE		DOCUMENT NO. SD-53748-004		SHEET NO. 2 OF 4			
		SIZE	THIS DRAWING CONTAINS INFORMATION THAT IS PROPRIETARY TO MOLEX INCORPORATED AND SHOULD NOT BE USED WITHOUT WRITTEN PERMISSION								

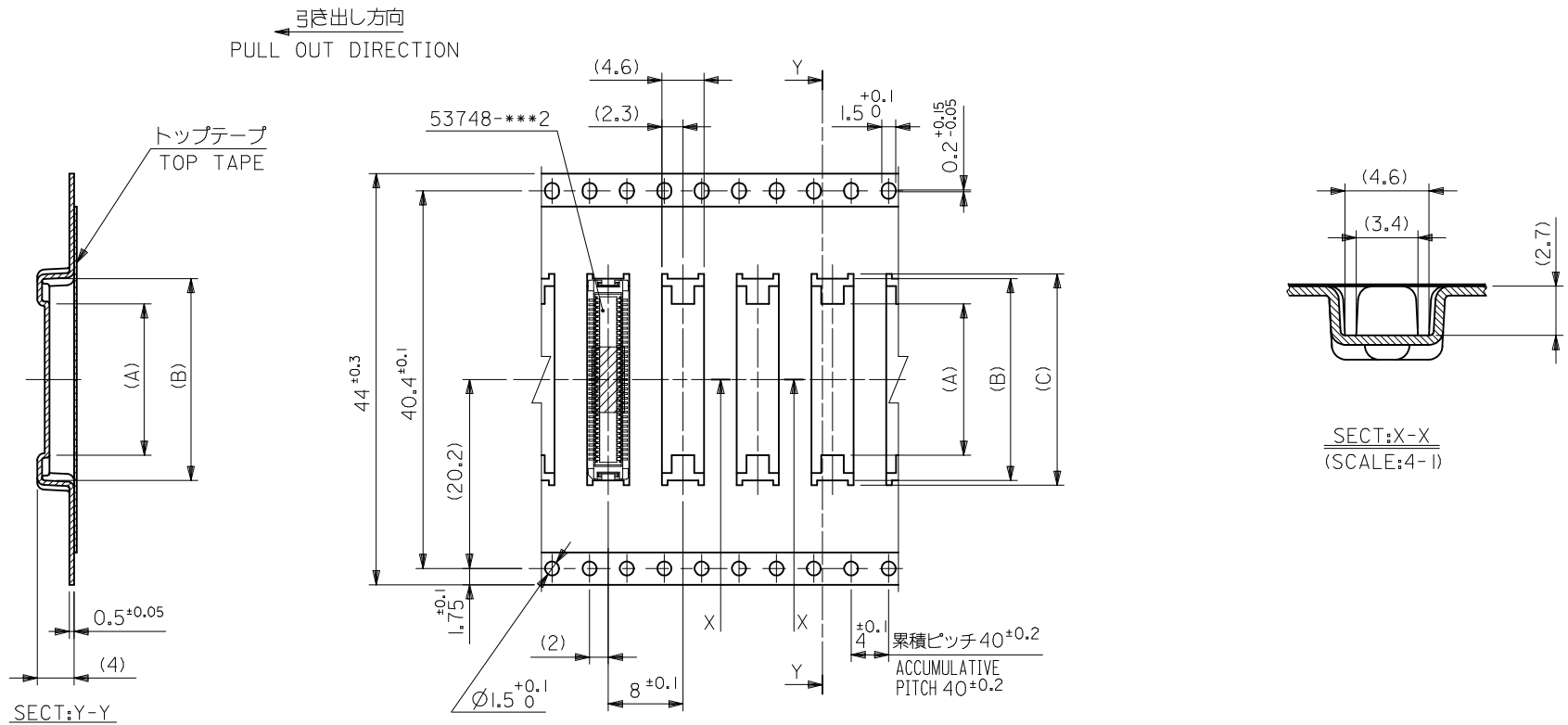
引き出し方向  
PULL OUT DIRECTION



32mm幅キャリアテープ  
32mm WIDTH CARRIER TAPE

32	33.5	17.6	16.6	11.2	53748-0504	50
キャリアテープ幅 CARRIER TAPE WIDTH	D	(C)	(B)	(A)	MATERIAL NO.	種数 CKT.
					MODEL NO.	53748-***4

REVISED EC NO: J2009-0487 DRWN:NAKAMURA 2008/12/08 CHK'D:T. HARUYAMA 2008/12/08 APPR:NUKITA 2009/01/09	GENERAL TOLERANCES (UNLESS SPECIFIED)		DIMENSION STYLE MM ONLY		SCALE ---	DESIGN UNITS METRIC	THIRD ANGLE PROJECTION
	10 UNDER	±---	DRAWN BY T. YASUI	DATE '96/4/16	TITLE 0.5 BTB CONN PLUG WITH		
	10 OVER 30 UNDER	±---	CHECKED BY T. ITO	DATE '01/1/23	APPROVED BY M. FUKUSHIMA '01/1/23		
	30 OVER	±---	MATERIAL NO. SEE TABLE		DOCUMENT NO. SD-53748-004		SHEET NO. 3 OF 4
ANGULAR ±---°		DRAFT WHERE APPLICABLE MUST REMAIN WITHIN DIMENSIONS		MOLEX INCORPORATED THIS DRAWING CONTAINS INFORMATION THAT IS PROPRIETARY TO MOLEX INCORPORATED AND SHOULD NOT BE USED WITHOUT WRITTEN PERMISSION			



44mm幅キャリアテープ  
44mm WIDTH CARRIER TAPE

44	45.5	25.1	24.1	18.7	53748-0804	80
キャリアテープ幅 CARRIER TAPE WIDTH	D	(C)	(B)	(A)	MATERIAL NO.	種数 CKT.
					MODEL NO.	53748-***4

REVISED EC NO.: J2009-0487 DRWN: NAKAMURA 2008/12/08 CHKD: T. HARIYAMA 2008/12/08 APPR: NUKITA 2009/01/09	GENERAL TOLERANCES (UNLESS SPECIFIED)		DIMENSION STYLE MM ONLY		SCALE ---	DESIGN UNITS METRIC	THIRD ANGLE PROJECTION
	10 UNDER	± ---	DRAWN BY T. YASUI	DATE '96/4/16	TITLE 0.5 BTB CONN PLUG WITH		
	10 OVER 30 UNDER	± ---	CHECKED BY T. ITO	DATE '01/1/23	APPROVED BY M. FUKUSHIMA '01/1/23		
	30 OVER	± ---	MATERIAL NO. SEE TABLE		DOCUMENT NO. SD-53748-004		SHEET NO. 4 OF 4
ANGULAR ± --- °		DRAFT WHERE APPLICABLE MUST REMAIN WITHIN DIMENSIONS		MOLEX INCORPORATED THIS DRAWING CONTAINS INFORMATION THAT IS PROPRIETARY TO MOLEX INCORPORATED AND SHOULD NOT BE USED WITHOUT WRITTEN PERMISSION			