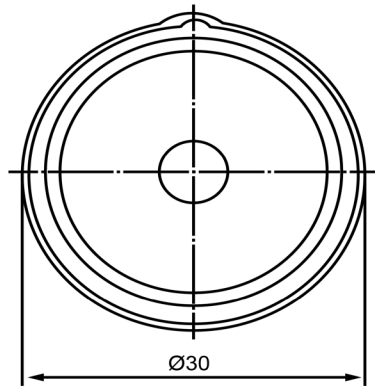
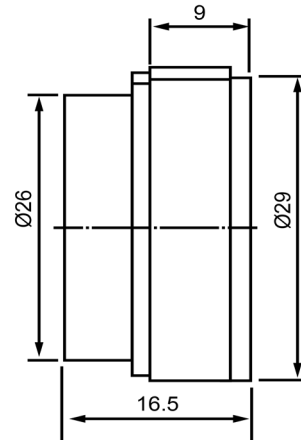


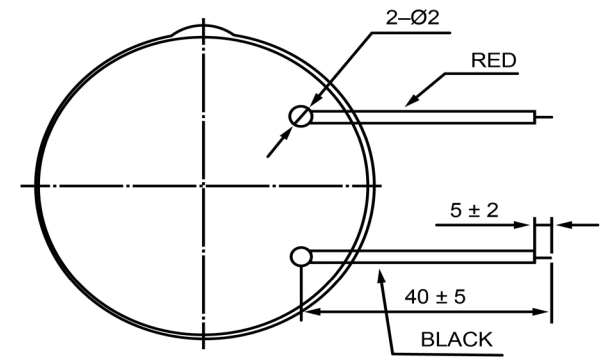
TOP VIEW




SIDE VIEW



BOTTOM VIEW



Specifications			Notes	Revision History					
Description	Value	Unit		Version	Description	Date	Approved		
Technology	Piezo		1) All dimensions are in mm unless otherwise noted 2) All parts meet RoHS 	1	Released from Engineering	10/21/2013	J.S		
Resonant Frequency	3,400	(Hz)							
Rated Voltage	9	(V)							
SPL @ 10cm	90	(dBA)							
Capacitance	25,000	(pF)							
Mount Type	Flush Mount								
Voltage Range	3 ~ 28	(V)							
Max Rated Current	5	(mA)							
Housing Material	ABS								
Operating Temperature	-20 ~ +60	°C							
Storage Temperature	-30 ~ +70	°C							
Weight	8	(g)							
DB UNLIMITED				Piezo Transducer			TP303409-1		
				Drawn by	Date	Checked by	Date	Approved by	Date
				A.B.	10/21/2013	C.E.	10/21/2013	J.S	10/21/2013