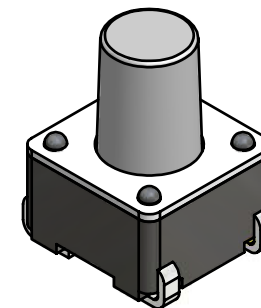
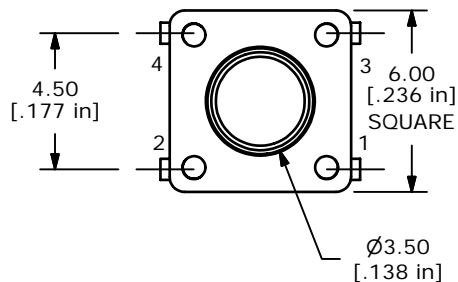
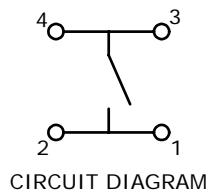
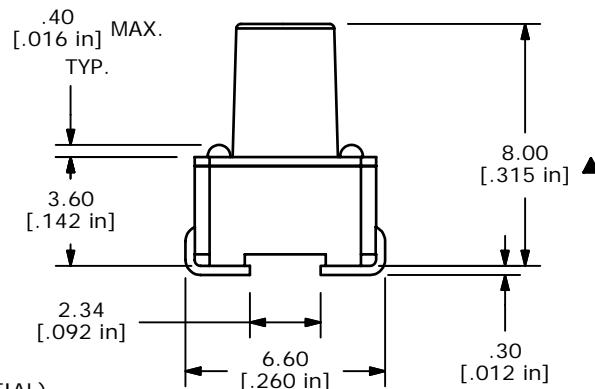


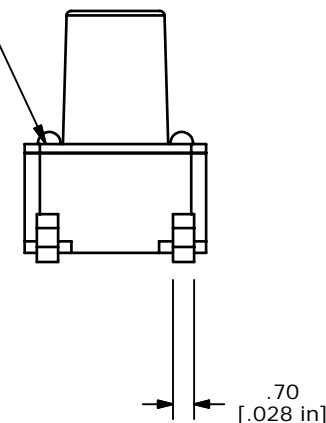
P.C.B. LAYOUT



ISOMETRIC



USE GOLD DOME
P990006



NOTES:

1. ALL DIMENSIONS IN MM
2. GENERAL TOLERANCE: X.X=±0.4
X.XX=±0.25
3. TERM. NOS. FOR REFERENCE ONLY.
4. RATING: 12VDC, 50mA
- ▲ 5. OPERATING FORCE: 100 ± 50 gms
6. TRAVEL: 0.25mm +0.2/-0.1
7. CONTACT RESISTANCE: 100 MILLI OHMS MAX. (INITIAL)
8. MECHANICAL/ELECTRICAL LIFE 100,000 CYCLES MIN.
- ▲ 9. GOLD CONTACTS
- ▲ 10. PACKAGE: BULK, 750 PCS PER BAG
11. ▲ DENOTES CRITICAL PARAMETER
12. 2002/95/EC (ROHS) COMPLIANT

E-SWITCH®

G	15965	UPDATE NOTES	4/17/06	CT
F	15949	REVISED REDRAWN	4/5/06	PH
REV	PCR NO	DESCRIPTION	DATE	BY

TITLE TL3301CF100RJ				
SCALE	DATE	DR	DWG	REV
4:1	1/19/2006	PH	P010506	G

THE INFORMATION CONTAINED IN THIS DOCUMENT IS PROPRIETARY TO E-SWITCH AND IS NOT TO BE COPIED OR TRANSFERRED