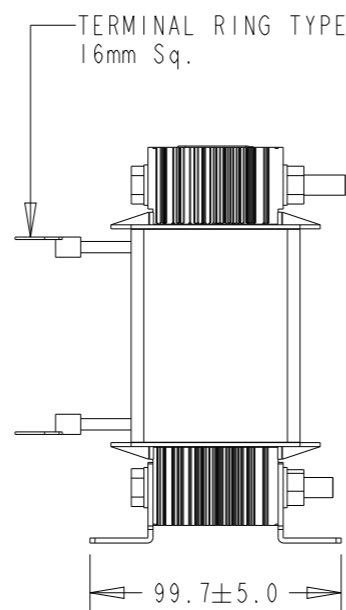
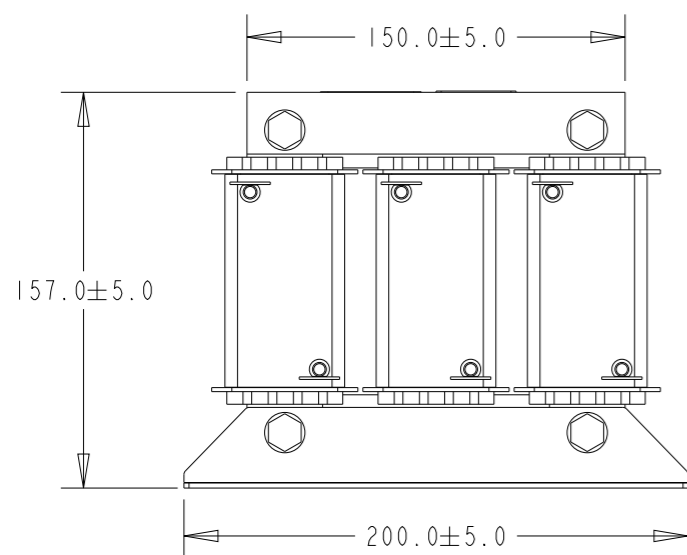
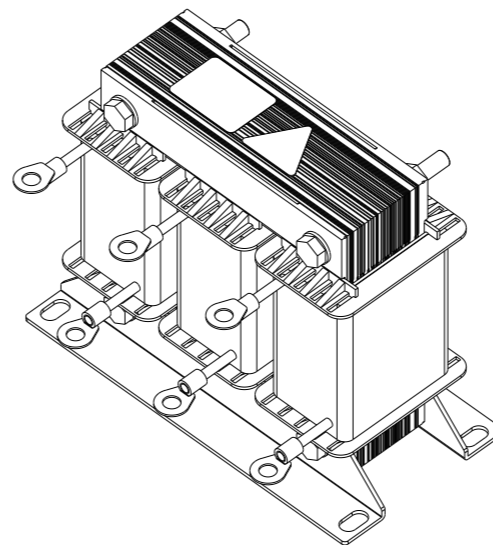
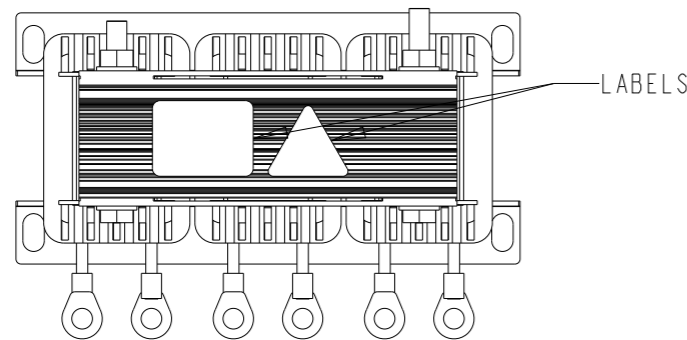


REVISIONS

P	LTR	DESCRIPTION	DATE	DWN	APVD
	A	RELEASED FOR PRODUCTION	10FEB2023	DM	CB
	AI	ADDING PRODUCT DATA	07MAR2023	DM	CB



NOMINAL OPERATING VOLTAGE (VAC)	3x 380 to 480
RATED OPERATING VOLTAGE (VAC)	3x 340 to 530
FREQUENCY (Hz)	50 / 60
RATED CURRENT (AMPS)	32.00
OP. TEMP. RANGE @ RATED CURRENT	-45°C to +45°C
RATED POWER @ 400VAC (kW)	19.95
RATED POWER @ 400VAC (HP)	26.75
IMPEDANCE @ 400VAC (%)	4
INDUCTANCE, NOMINAL (mH)	0.920
POWER OVERLOAD, 1 MINUTE EVERY HOUR	1.6
VOLTAGE WITHSTAND 1 MINUTE (kVAC)	2
POLLUTION DEGREE	PD2
COOLING	NATURAL
PROTECTION CLASS	IP00
INSULATION CLASS	N
STORAGE TEMPERATURE RANGE (°C)	-45°C to +100°C
CLIMATIC CATEGORY	45/100/21
DESIGN CORRESPONDING TO	EN61558-2-20, EN60076-6, UL61800-5-1

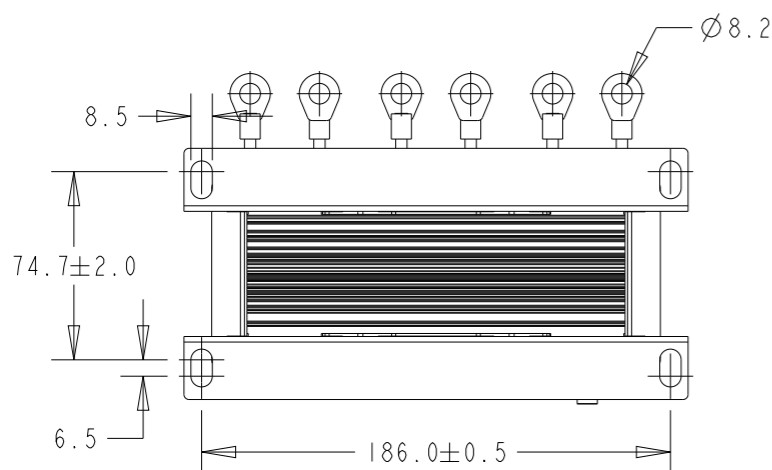
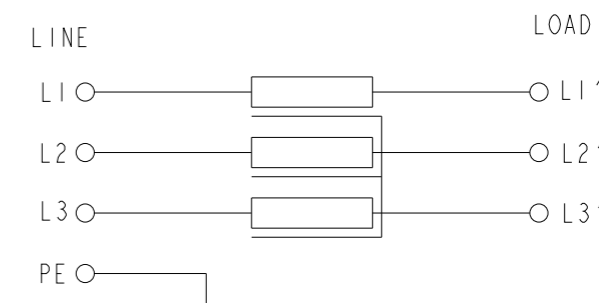
SAFETY ORGANIZATIONS

UL RECOGNIZED AS PER UL 508 HARDWARE CERTIFICATION


DE-RATING FORMULAE FOR OPERATION ABOVE 45°C AMBIENT CONDITIONS:

$$I = I_n \sqrt{\frac{100 - T_{a\ new}}{100 - 45}}$$

TYPICAL CIRCUIT DIAGRAM



RoHS COMPLIANT

THIS DRAWING IS A CONTROLLED DOCUMENT.		DWN C. BOLLE 06OCT2022	 TE Connectivity	
DIMENSIONS: mm		CHK C. BOLLE 06OCT2022		
TOLERANCES UNLESS OTHERWISE SPECIFIED:		APVD L. RAJ 06OCT2022	NAME RPO-3-32 THREE LINE REACTOR	
0 PLC ±- 1 PLC ±0.1 2 PLC ±0.01 3 PLC ±0.001 4 PLC ±0.0001 ANGLES ±-		PRODUCT SPEC -	RESTRICTED TO -	
MATERIAL -		FINISH -	APPLICATION SPEC -	SIZE A3
		WEIGHT -	CAGE CODE 00779	DRAWING NO C-1-2432409-9
		CUSTOMER DRAWING	SCALE 1:3	SHEET 1 OF 1
				REV AI