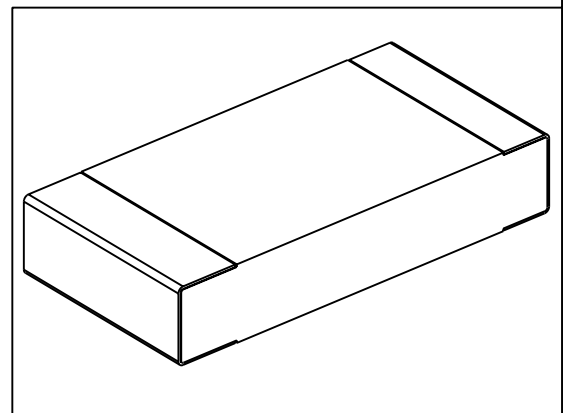
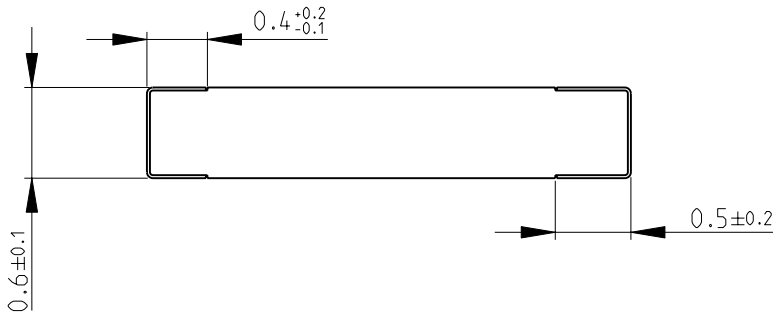
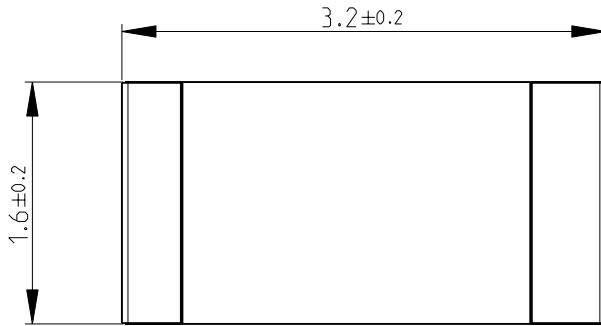


| | | | | | | | |
|-----|------|-----------|-----|-------------|-----------|-----|------|
| LOC | DIST | REVISIONS | | | | | |
| E | B | P | LTR | DESCRIPTION | DATE | DWN | APVD |
| | | | BA | NEW RELEASE | 04MAY2010 | PT | St.P |

FOR FURTHER INFORMATION SEE DATA SHEET FOR
RP73 SERIES-SMD HIGH POWER PRECISION RESISTORS



RoHS Compliant

2008

RELEASED FOR PUBLICATION

THIS DRAWING IS UNPUBLISHED.

BY TYCO ELECTRONICS CORPORATION. ALL RIGHTS RESERVED.

| | | | | | | | |
|--|------------------|-------------|-----------|--|------------|---------------|--------|
| DIMENSIONS: mm | DWN | PARUSURAM.T | 04MAY2010 | MATERIAL | - | FINISH | - |
| | CHK | SUBHASH.M | 04MAY2010 | Tyco Electronics Corporation Dorcan, Swindon, SN3 5HH | | | |
| TOLERANCES UNLESS OTHERWISE SPECIFIED: | APVD | STEPHEN.P | 04MAY2010 | | | | |
| 0 PLC ±0.2 | PRODUCT SPEC | - | NAME | SMD HIGH POWER PRECISION RESISTORS SERIES RP73 - 2B | | | |
| 1 PLC ±0.1 | APPLICATION SPEC | - | SIZE | CAGE CODE | DRAWING NO | RESTRICTED TO | |
| 2 PLC ±- | | | A 4 | 00779 | ©= 1625872 | - | |
| 3 PLC ±- | | | | | | | |
| 4 PLC ±- | WEIGHT | - | | | | | |
| ANGLES ±5° | | | | | | | |
| | CUSTOMER DRAWING | | | SCALE | 20:1 | SHEET | 1 OF 1 |
| | | | | | | | REV BA |