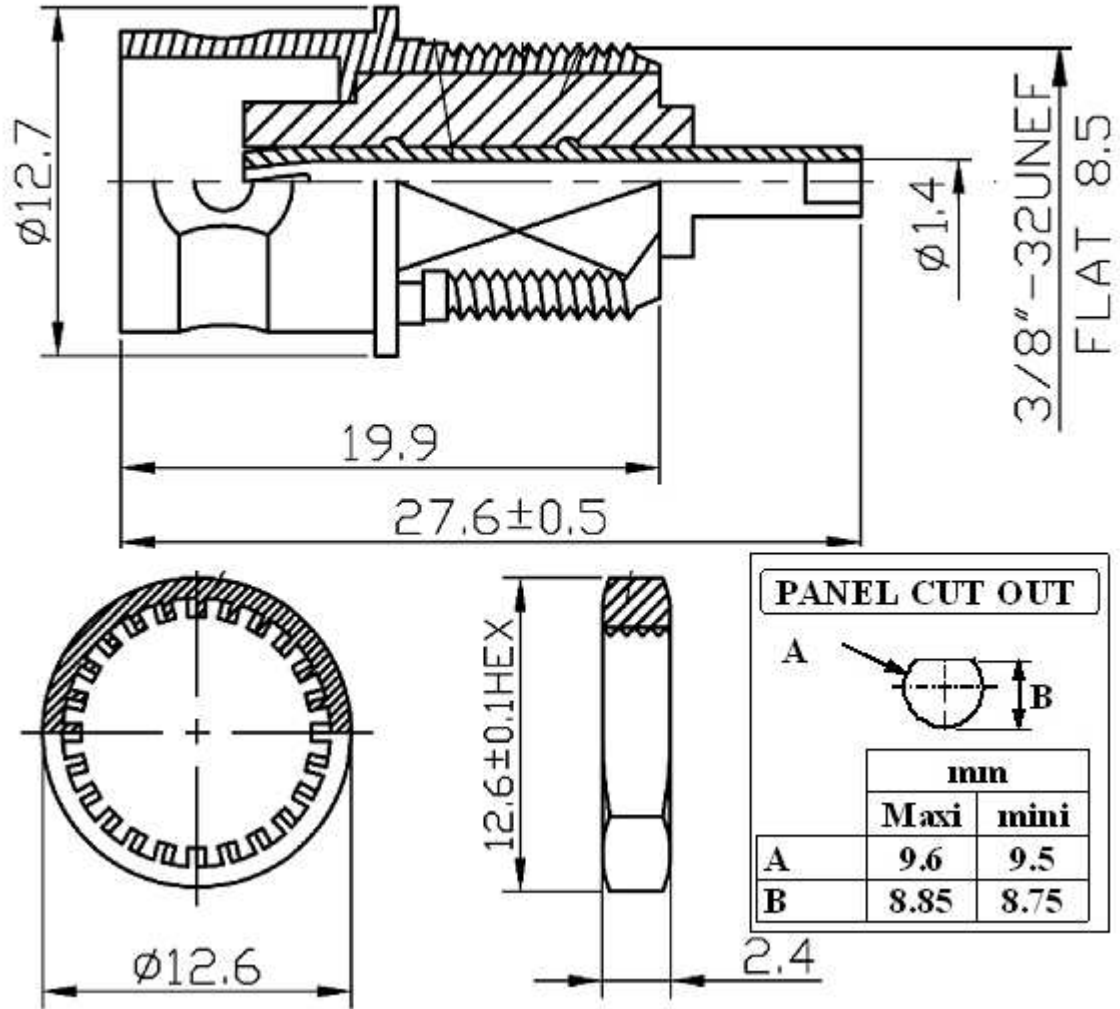


**FEMALE BULKHEAD RECEPTACLE FRONT MOUNT.**

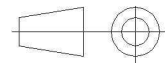
**R141.563.161**

**WITH SOLDER POT CONTACT - PACK 100**

Series : BNC-COM



All dimensions are in mm.



COMPONENTS	MATERIALS	PLATING ( $\mu\text{m}$ )
BODY	BRASS	NICKEL .
CENTER CONTACT	BRASS	GOLD
OUTER CONTACT	-	-
INSULATOR	DELRIN (POM)	-
GASKET	-	-
OTHERS PARTS	-	-
.	.	.
.	.	.

Issue : 1027 D

In the effort to improve our products, we reserve the right to make changes judged to be necessary.



**FEMALE BULKHEAD RECEPTACLE FRONT MOUNT.**

**R141.563.161**

**WITH SOLDER POT CONTACT - PACK 100**

Series : **BNC-COM**

**PACKAGING**

**SPECIFICATION**

Standard	Unit	Other
<b>100</b>	<b>'W' option</b>	<b>Contact us</b>

**ELECTRICAL CHARACTERISTICS**

**ENVIRONMENTAL**

Impedance		<b>50</b> Ω
Frequency		<b>0-1.5</b> GHz
VSWR	<b>1.2*</b> +	<b>0,0060</b> x F(GHz) Maxi
Insertion loss		<b>.02*</b> √F(GHz) dB Maxi
RF leakage	- (	<b>57</b> - F(GHz)) dB Maxi
Voltage rating		<b>500</b> Veff Maxi
Dielectric withstanding voltage		<b>1500</b> Veff mini
Insulation resistance		<b>5000</b> MΩ mini

Operating temperature	<b>-35/+70</b> ° C
Hermetic seal	<b>NA</b> Atm.cm3/s
Panel leakage	<b>NA</b>

**OTHER CHARACTERISTICS**

Assembly instruction

Others :

\* Coaxial Transmission Line Only

**MECHANICAL CHARACTERISTICS**

Center contact retention		
Axial force – Mating end	<b>15</b>	N mini
Axial force – Opposite end	<b>15</b>	N mini
Torque	<b>NA</b>	N.cm mini
Recommended torque		
Mating	<b>NA</b>	N.cm
Panel nut	<b>250</b>	N.cm
Mating life	<b>500</b>	Cycles mini
Weight	<b>0,0000</b>	g

Issue : 1027 D

In the effort to improve our products, we reserve the right to make changes judged to be necessary.

