

6 5 4 3 2 1

APPROVED: _____
 DATE: _____ TITLE: _____

Rev	AWO #	Description	Date	Appr
-		RELEASED	11/14/19	

RECOMMENDED PCB LAYOUT

Dimensions: .350 [8.89], .230 [5.84], .150 [3.81], .050 [1.28], .010 [0.26], .430 [10.93], .360 [9.14], .260 [6.60], .151, .251 [3.84], .350 [8.89], .106 [2.69], .156 [3.97], .380 [9.65], .486 [12.35], .536 [13.62]

Component locations: P12, P11, P10, P9, P8, P7, P6, P5, P4, P3, P2, P1, P15, P16, P17, P13, P14

Other dimensions: ϕ .035 [0.90], ϕ .063 [1.60], ϕ .128 [3.25], ϕ .047 [1.20]

Green/Yellow (LED1), Green (LED2)

Dimensions: .700 [17.78], .445 [11.30]

Dimensions: .950 [24.13], .520 [13.21], .130 [3.30]

Contact locations: P17, P16, P15, P14, P13, P6, P5, P4, P3, P2, P1, P12, P11, P10, P9, P8, P7

SPECIFICATIONS:
 Material:
 Insulator: Thermoplastic, rated UL 94V-0, Color: Black
 Contacts: Phosphor Bronze
 Shield: Brass, Nickel plated
 Plating:
 Round contact
 Gold over Nickel underplate overall
 Flat contact
 Gold over Nickel underplate on contact area,
 Tin over Nickel underplate on solder tails
 Electrical:
 Voltage rating: 150 VAC
 Contact Resistance: 20 mohms max
 Insulation resistance: 500 Mohms min
 Dielectric withstanding voltage: 2250 VDC For 1 Minute
 Temperature Rating:
 Operating temperature: -40°C to +105°C
 Agency Certifications:
 UL Recognized
 Environmental:
 Lead free, RoHS compliant.

UNLESS OTHERWISE SPECIFIED
 ALL DIMENSIONS ARE INCHES [MM]
 TOLERANCES: EXCEPT AS NOTED
 INCHES HOLES

.X ± .10	ϕ .X ± .10
.XX ± .020	ϕ .XX ± .015
.XXX ± .015	ϕ .XXX ± .010

ADAM TECH INTERCONNECTS
 909 Rahway Avenue,
 Union, NJ 07083
 Phone: 908-687-5000
 Fax: 908-687-5710

APPROVALS		DATE
DRAWN	AY	11/14/19
CHECKED	LW	11/14/19
APPROVED		

TITLE
 MODULAR TELEPHONE JACK, 1 PORT, 8P8C, 10G BASE-T,
 W/ LED1 GREEN/ORANGE/YELLOW, LED2 GREEN

SIZE	PART NO.	REV.
X	MTJ-88SUX1-FS-PG-VL41-M245C-WOT	-

REF: S00005C SCALE: NTS SHEET 1 OF 2

6 5 4 3 2 1

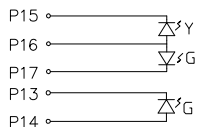
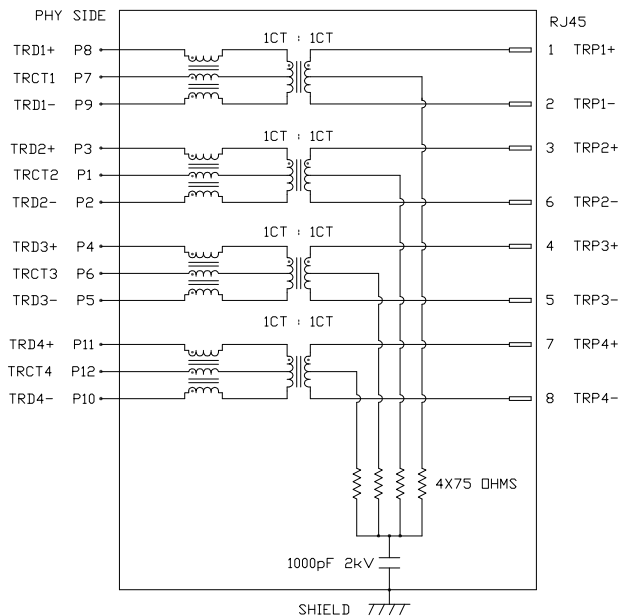
APPROVED: _____

DATE: _____ TITLE: _____

Rev	AWO #	Description	Date	Appr
-----	-------	-------------	------	------

SEE SHT 1 OF 2 FOR REVISION

Circuit Schematic:



Pin	Green	Yellow	Green
P13	-	P15	-
P14	+	P16	+
		P17	-

ELECTRICAL SPECIFICATIONS :

PARAMETER	SPECIFICATIONS		
URNS RATIO	1.00 ± 2%		
POLARITY	PER SCHEMATIC		
INSERTION LOSS (DATA CHANNELS)	100 KHz	1-400 MHz	
	-3.0 dB MAX	-2.0 dB MAX (-1.4dB TYP)	
RETURN LOSS (Z OUT=100 OHM ±1%)	1-40 MHz	40 MHz-400 MHz	400 MHz-500 MHz
	-16 dB MIN	-16+10LOG<f/40>dB	-6+30LOG<f/400>dB
INDUCTANCE (OCL)	160 uH MIN @ 100 KHz, 100 mV		
CROSSTALK, ADJACENT CHANNELS	1-100 MHz	100-500 MHz	
	-28 dB MIN	-19 dB MIN	
COMMON MODE REJECTION RATIO	1-40 MHz	40-100 MHz	100-500 MHz
	-30 dB MIN	-28 dB MIN	-26 dB MIN
COMMON TO DIFFERENTIAL MODE REJECTION (CDMR)	1-250 MHz	250-500 MHz	
	-30 dB MIN	-22 dB MIN	
HIPOT-OUTPUT ISOLATION	2250 VDC MIN @ 60 SECONDS		

NOTE: f IS FREQUENCY IN MHz.

UNLESS OTHERWISE SPECIFIED
ALL DIMENSIONS ARE INCHES [MM]
TOLERANCES: EXCEPT AS NOTED
INCHES HOLES

.X ± .10	Ø.X ± .10
.XX ± .020	Ø.XX ± .015
.XXX ± .015	Ø.XXX ± .010

ADAM TECH
INTERCONNECTS

909 Rahway Avenue,
Union, NJ 07083
Phone: 908-687-5000
Fax: 908-687-5710

TITLE
MODULAR TELEPHONE JACK, 1 PORT, 8P8C, 10G BASE-T,
W/ LED1 GREEN/ORANGE/YELLOW, LED2 GREEN

APPROVALS		DATE
DRAWN	AY	11/14/19
CHECKED	LW	11/14/19
APPROVED		

SIZE	PART NO.	REV.
X	MTJ-88SUX1-FS-PG-VL41-M245C-WOT	-
REF: S00005C	SCALE: NTS	SHEET 2 OF 2