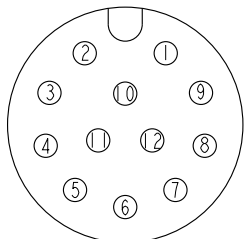
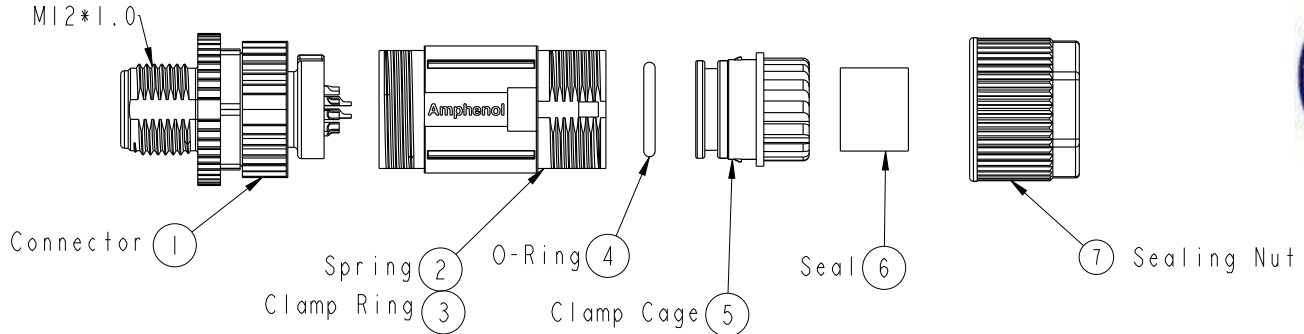
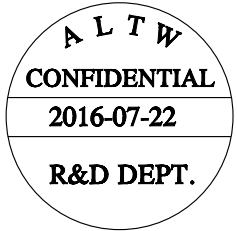
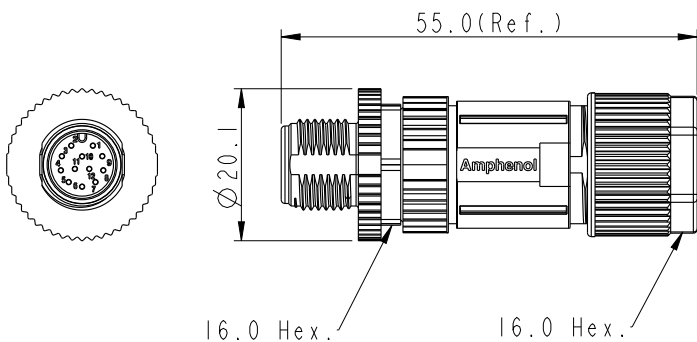


REV.	ECN NO.	DATE	SIGN	DESCRIPTION
A	Initial Release	2015/05/04	Lu Di	Change Rev.01 To Rev.A
B	LEN1670561	2016/07/22	Yulong_wang	Change the Note.



Pin Assignments
Front View



- Note:
- * (C) Important Dimension To Check.
 - * Waterproof Rate: IP67.
 - * Housing: Nylon, Black.
 - * Clamp Cage: Nylon, Black.
 - * Male Pin: Copper Alloy, Gold Plated.
 - * Nut: Zinc Alloy, Nickel Plated.
 - * O-Ring: Silicone, Grey.
 - * Clamp Ring: Zinc Alloy, Nickel Plated.
 - * Sealing Nut: Zinc Alloy, Nickel Plated.
 - * Seal: Silicone, Grey.
 - * Seal For Cable OD: $\varnothing 4.0\text{mm} \sim \varnothing 7.5\text{mm}$
 - * Applicable Wire gauge (Stranded wire cross section) 26AWG ~24AWG
 - * Mating Recommended tightening torque:
3~4 kgf.cm / 0.29~0.39 N.m
 - * Sealing-Nut Recommended tightening torque:
4~6 kgf.cm / 0.39~0.59 N.m
 - * Detailed applicable wire specifications may vary depending on the actual wire construction.

UNIT: mm		TITLE M12 Shielded Assy 12Pin M Conn. M Pin			<h1>Amphenol LTW</h1> 安費諾亮泰企業股份有限公司	ITEM NO	DRAWN BY	DATE
		SCALE 1:1	SIZE A4	SHEET 1 OF 1		MSAS-12BMMA-SL7001	Yulong_wang	2016-07-22
TOLERANCE .X ±0.25 .XX ±0.1 .XXX ±0.05 ANGLES ±1°		REV. B	WC-REV. A.5	(C) Inspection item	DWG NO MSAS-12BMMA-SL7001	CHECKED BY Jinhai	DATE 2016-07-22	
					CUSTOMER ALTW	APPROVED BY Jerry	DATE 2016-07-22	

THIS DOCUMENT IS SUBJECT TO CHANGE WITHOUT NOTICE. IT IS CONFIDENTIAL AND A PROPERTY OF Amphenol LTW. DISCLOSURE TO THIRD PARTY HAS TO BE AUTHORIZED BY Amphenol LTW.