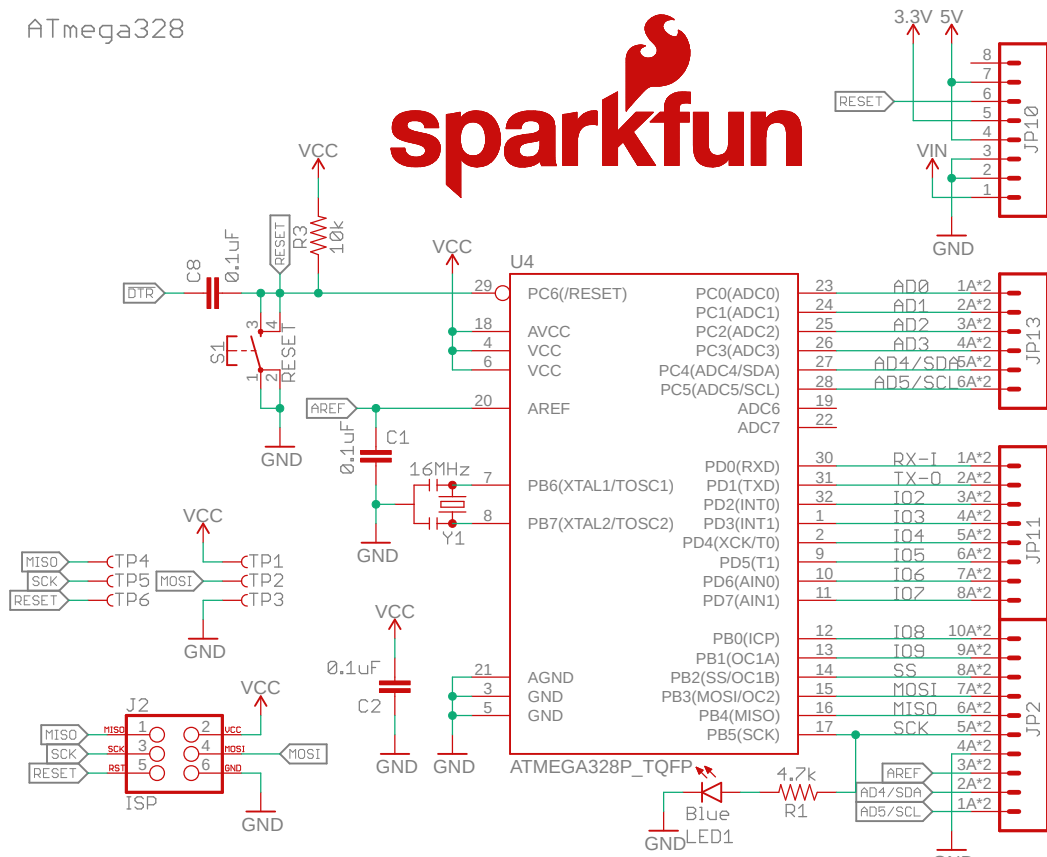
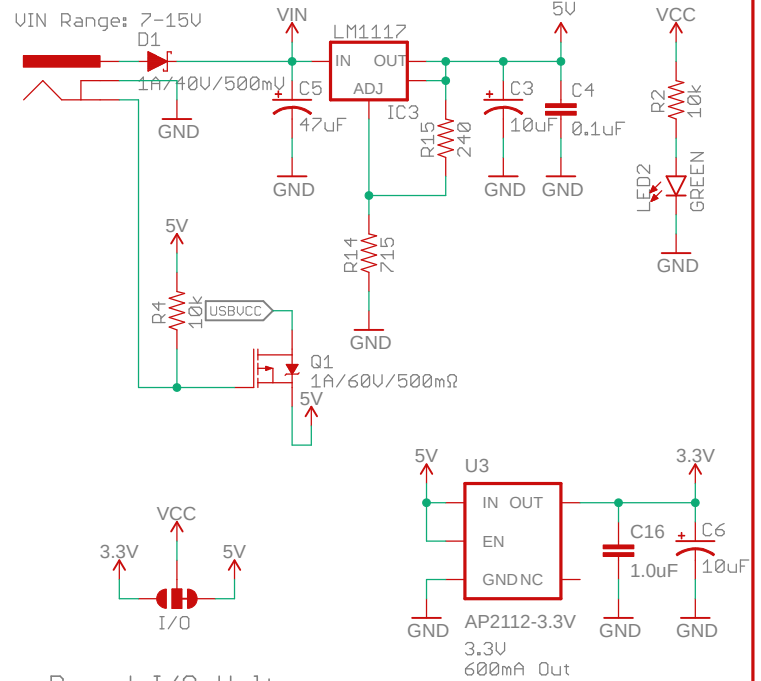


ATmega328



Power Supply

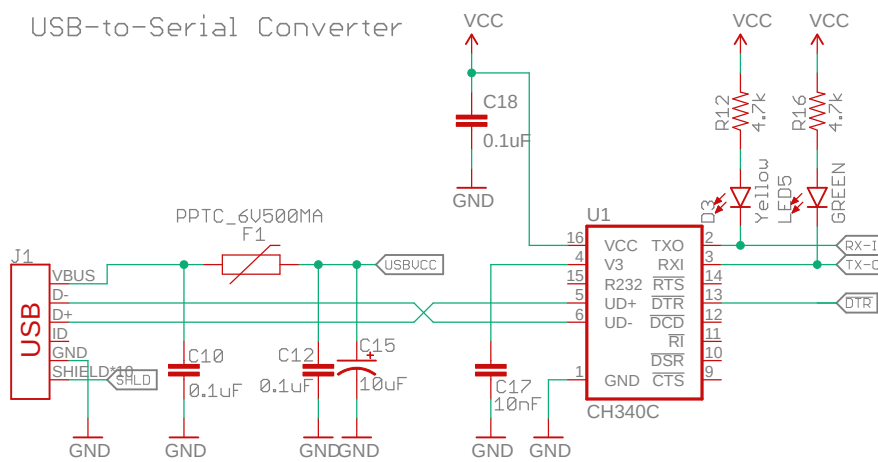


Board I/O Voltage

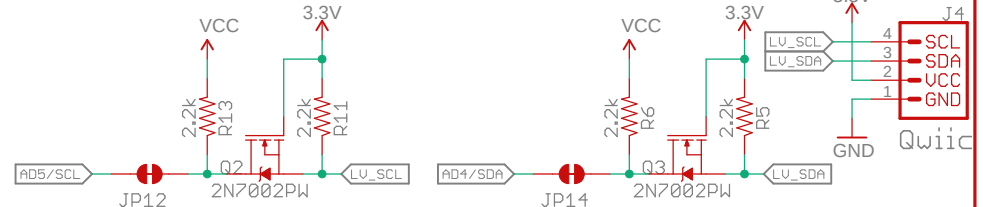
To convert the board to 3.3V you must cut the jumper to 5V and use solder to close the jumper towards 3.3V.



USB-to-Serial Converter



Qwiic 3.3V Conversion



Cutting/opening up JP12 and JP14 will disconnect the Qwiic connector J4. Doing so allows AD4 and AD5 to be used as needed.

Released under the Creative Commons Attribution Share-Alike 4.0 License
<https://creativecommons.org/licenses/by-sa/4.0/>

TITLE: RedBoard-Qwiic

Design by: Jim Lindblom, N. Seidle Revision By: The Hoff
 Based on Arduino by: M.Banazi, D.Cuartielles, T.Igoe, G.Martino, D.Mellis

REV: v10

Date: 12/7/2018 2:00 PM

Sheet: 1/1