

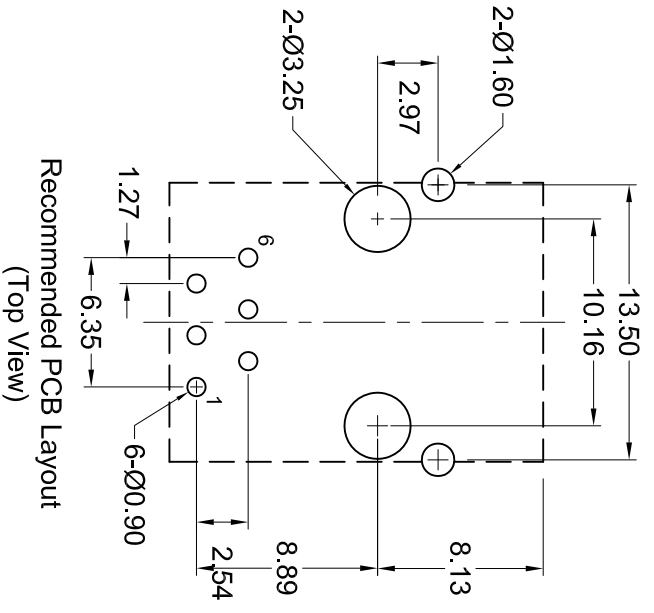
Part Number	Contact Area Plating Finish
GMX-S-66	Gold Flash (standard)
GMX-S-66-50	50u" Gold (50 option)

REV.	DATE	DESCRIPTION	REV. BY	CHK. BY	DRAWN BY
A1	4/08/05	New Drawing	R. Aguirre	H. MA	R. Aguirre
A2	05/13/10	ECO #10-025	S. Vien	H. MA	
A3	05/27/15	ECO #15-001	H. MA	C. Furumatsu	
A4	06/13/17	ECO #17-014	H. MA	C. Furumatsu	

DATE: 4/8/05  
UNITS: mm

**GMX-S-66**

Right Angle, Modular Jack, High Temp.  
6 position, 6 contacts, RoHS Compliant



Recommended PCB Layout  
(Top View)

**Materials and Finish**

- Housing Material- PBT Thermoplastic
- UL 94V-0 Rated
- Color: Black
- Shield Material- Copper Alloy, 0.20mm thick
- Nickel Plated
- Design meets UL 1863 Sec. 8
- Electrical Probe and Sec. 20 Child Finger test requirements
- Contact Material- Phosphor Bronze
- Contact Plating Options- Standard: 0.0001" Nickel Plating, Selective Plating Gold Flash on Contact Area, Tin on Termination End
- 50 Option: 0.0001" Nickel Plating, Selective Plating 0.000050" Gold on Contact Area to Comply with FCC Requirements Under No. 47 C.F.R. Part 68, Subpart F, Tin on Termination End

**Electrical Characteristics**

- Current Rating- 1.5 Amps
- Voltage Rating- 125V DC
- Insulation Resistance- 500 Megohms min.
- Dielectric Withstanding Voltage- 1000V rms, 60Hz
- Contact Resistance- 20 milliohms max.
- Operating Temperature- -40° C to +80° C
- Durability Rating- 500 mating cycles min.



Tolerances
X.X ± 0.25
X.XX ± 0.15
Unless Stated Otherwise