

This document is the property of Amphenol Aorora Corporation and is delivered on the express condition that it is not to be disclosed, reproduced or used, in whole or in part, for manufacture or sale by anyone other than Amphenol Aorora Corporation without its prior consent, & that no right is granted to disclose or to use any information in this document.

REV.	ECR/ECN No.	DESCRIPTION	DRAWN/DATE	CHECKED/DATE	APPROVED/DATE
D	/	Revise the size of mylar and update drawing	May 2016-01-29	Rain 2016-01-29	Hongkui.liu 2016-01-29
E	/	Update FFC size	May 2016-03-16	Rain 2016-03-16	Hongkui.liu 2016-03-16
F	/	Added halogen specifications	May 2018-01-31	Rain 2018-01-31	Hongkui.liu 2018-01-31

NO.	COMPONENTS	MATERIALS	SPECIFICATION:FINISH/COLOR	QTY.
1	SLIDER	GLASS FILLED PA9T, UL94V-0	BLACK	1
2	HOUSING	GLASS FILLED LCP, UL94V-0	BLACK OR NATURAL	1
3	ANCHOR-PLATE	BRASS, T=0.20mm	SURFACE PLATING:2~5 μm Sn UNDER PLATING:1~3 μm Ni	2
4	CONTACT	PHOSPHOR BRONZE, T=0.20mm	SURFACE PLATING:0.05 μm Au UNDER PLATING:1~3 μm Ni	N
5	MALAY	T=0.10mm High temperature	YELLOW	1

**SPECIFICATION**

- CONTACT RESISTANCE : 30mΩ MAX.;
- DIELECTRIC WITHSTANDING VOLTAGE;  
500V AC R.M.S. FOR 1 MINUTE;
- INSULATION RESISTANCE : 500MΩ MIN;
- "▽"NOTATION FOR CPK AND X-R TEST SIZE
- PART NO.: F5\*\*-1\*7\*1-\*10\*\*

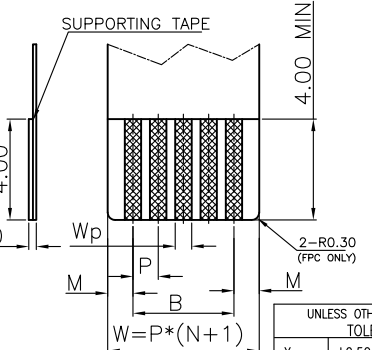
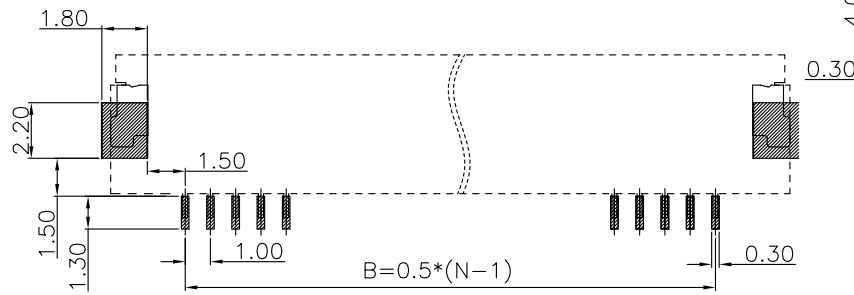
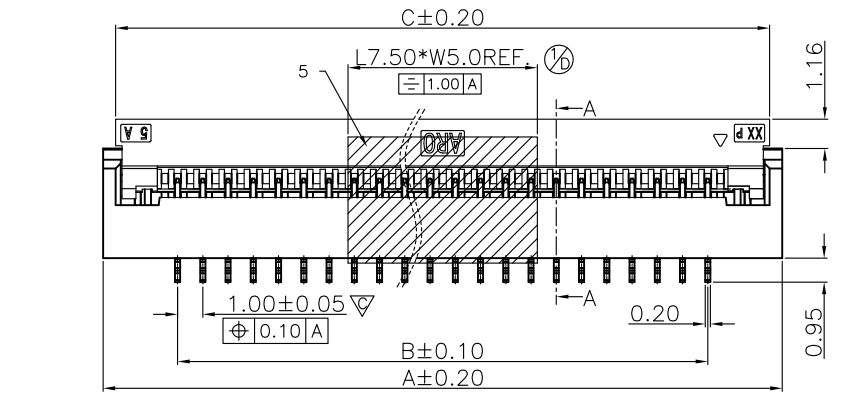
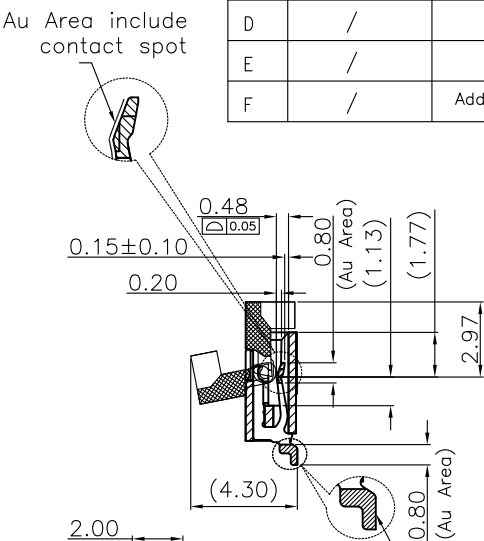
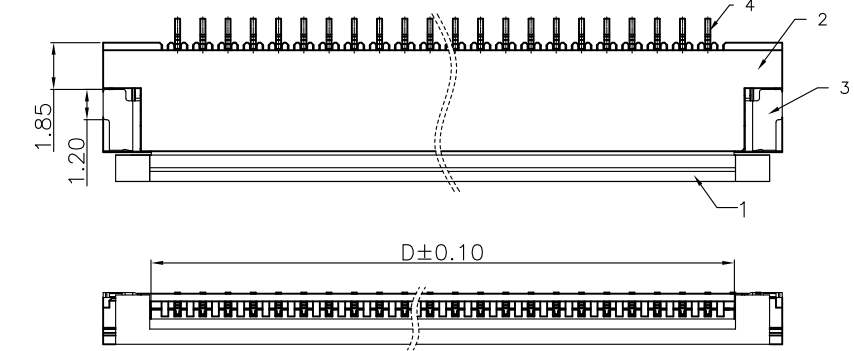
26:NO MALAR  
16:WITH MALAR

1A:LCP,NATURAL  
1B:LCP,BLACK

NO. OF POSITIONS  
1:Containing halogen  
2:No halogen  
7H:PHOSPHOR BRONZE  
0.05um MIN Au(Au Area)  
7A:PHOSPHOR BRONZE MATTER TIN

**DIMENSION LIST:**

NO. OF POS.	A	B	C	D	NO. OF POS.	A	B	C	D
4	8.90	3.00	7.90	5.10	18	22.90	17.00	21.90	19.10
5	9.80	4.00	8.90	6.10	19	23.90	18.00	22.90	20.10
6	10.90	5.00	9.90	7.10	20	24.90	19.00	23.90	21.10
7	11.90	6.00	10.90	8.10	21	25.90	20.00	24.90	22.10
8	12.90	7.00	11.90	9.10	22	26.90	21.00	25.90	23.10
9	13.90	8.00	12.90	10.10	23	27.90	22.00	26.90	24.10
10	14.90	9.00	13.90	11.10	24	28.90	23.00	27.90	25.10
11	15.90	10.00	14.90	12.10	25	29.90	24.00	28.90	26.10
12	16.90	11.00	15.90	13.10	26	30.90	25.00	29.90	27.10
13	17.90	12.00	16.90	14.10	27	31.90	26.00	30.90	28.10
14	18.90	13.00	17.90	15.10	28	32.90	27.00	31.90	29.10
15	19.90	14.00	18.90	16.10	29	33.90	28.00	32.90	30.10
16	20.90	15.00	19.90	17.10	30	34.90	29.00	33.90	31.10
17	21.90	16.00	20.90	18.10					



**APPLICABLE FPC**

	FPC	FFC
M	1.0±0.12	1.0±0.10
P	1.0±0.02	1.0±0.05
B	B±0.03	B±0.06
W	W±0.07	W±0.07
Wp	0.65±0.04	0.65±0.05

UNLESS OTHERWISE SPECIFIED TOLERANCES		ANGLE OF PROJECTION	
X.	±0.50	X.	± 1°
XX	±0.30	XX	± 0.5°
XXX	±0.20	XXX	± 0.5°
X.XX	±0.10	X.XX	± 1°
		X.XXX	± 1°

DOC TYP Customer Drw

DRAWN DATE May 2018-01-31

DESIGN DATE May 2018-01-31

CHECKED DATE Rain 2018-01-31

APPROVED DATE Hongkui.liu 2018-01-31

**Amphenol AORORA**

Amphenol Aorora Technology (Huizhou) Co.,Ltd

TITLE:  
1.00mm PITCH FPC CONN. ZIF R/A  
SMT TYPE H=2.0 ASS'Y

SCALE 1:1 UNIT : mm SHEET 1 OF 1

SIZE DWG NO. A4 A-S0151 REV. F

**P.C.B LAYOUT(REFERENCE)**