

SUMMARY

Wires

Low voltage 6



Image is for illustrative purpose only

Series	2P
Termination type	Female solder
IP rating	66
AWG wire size	28.00 - 20.00
Cable Ø	0.00 - 0.00 mm
Status	active
Matching parts	CFB.M06.GLA.C72AZ

Download

[Request a quote](#)

[Catalog](#)

TECHNICAL DETAILS

Mechanics

Shell Style/Model	CN*: Fixed receptacle, nut fixing, watertight (IP 66)
Keying	No keying
Housing Material	PSU (Polysulfone), gray
Weight	5.48 g

Performance

Configuration	2P.M06 : 6 Low V.
Insulator	L: PEEK for solder contacts
Rated Current	12 Amps

Specifications

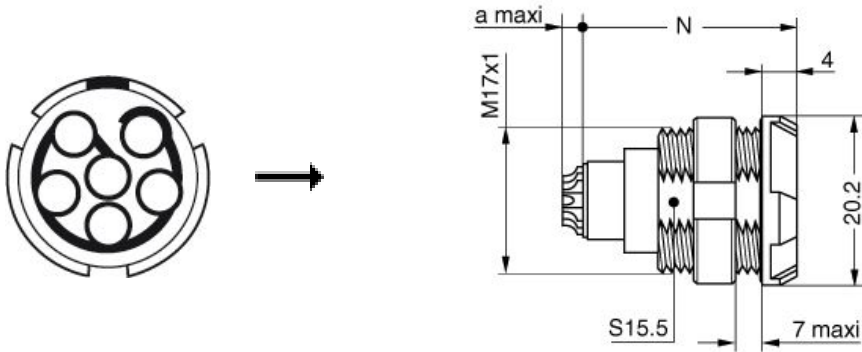
Contact Type: Solder
Contact Dia.: 1.3 mm (0.051in)
Bucket Dia.: 1.1 mm (0.043in)
Test voltage (kV rms) Contact-contact: 1.35
Air clearance min.: 1.2 mm
Creepage distance min.: 1.2 mm

Others

LEMO products and services are provided "as is". LEMO makes no warranties or representations with regard to LEMO product & services or use of them, express, implied or statutory, including for accuracy, completeness, or security. The user is fully responsible for his products and applications using LEMO components.

Endurance (Shell): >1000 mating cycles
 Temp (min / max): -50°C / +150°C
 F ret (min): 150 N
 F ret (max): 250 N
 Steam sterilization: 20 times

DRAWINGS



No keying

Dimensions

	L	N
mm.	28.7	23.8
in.	1,13	0,94

RECOMMENDED BY LEMO

Tools

LEMO products and services are provided "as is". LEMO makes no warranties or representations with regard to LEMO product & services or use of them, express, implied or statutory, including for accuracy, completeness, or security. The user is fully responsible for his products and applications using LEMO components.