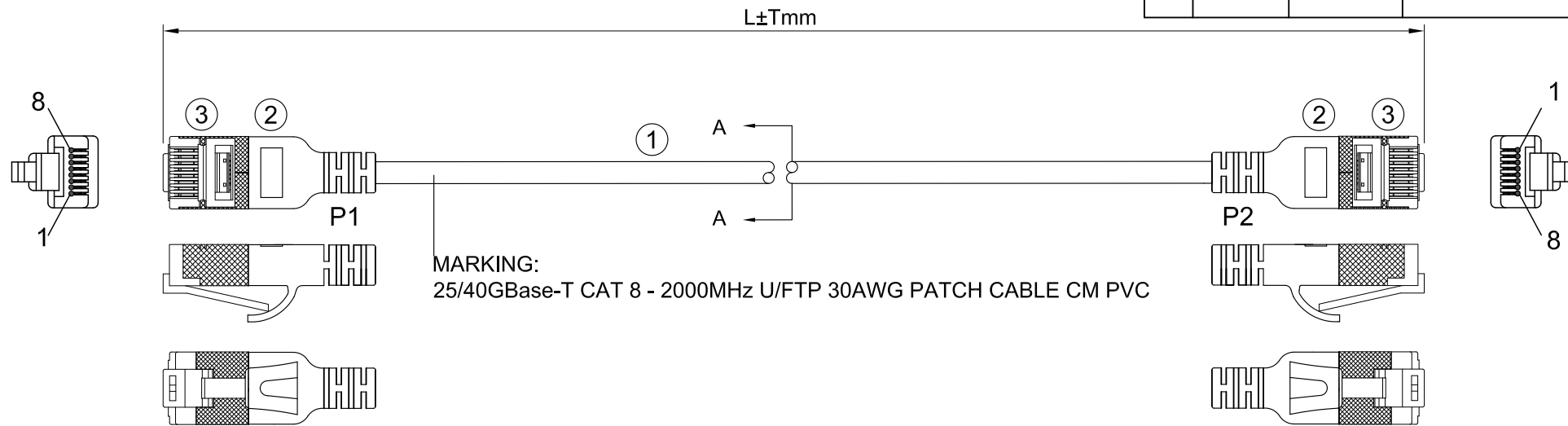
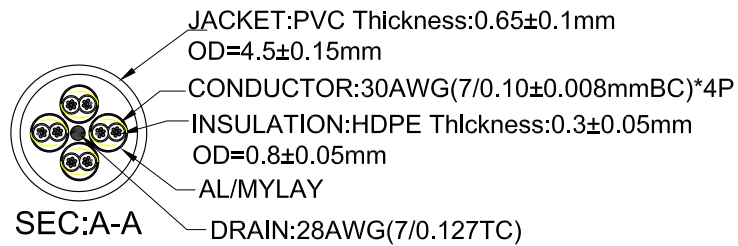


REVISION INFORMATION			
Rec.	Rec. Date	Modified By	Brief Description



MARKING:
25/40GBase-T CAT 8 - 2000MHz U/FTP 30AWG PATCH CABLE CM PVC



orange 1	green 2
white/orange	white/orange
blue 3	brown 4
white/blue	white/brown

PINOUT		
P1	WIRE	P2
1	WHITE/ORANGE	1
2	ORANGE	2
3	WHITE/GREEN	3
6	GREEN	6
5	WHITE/BLUE	5
4	BLUE	4
7	WHITE/BROWN	7
8	BROWN	8
S	SHIELDED	S

L(ft)	T(inch)	T(%)
0.5	±1.2	20%
1	±1.2	10%
2	±1.2	5%
3	±1.2	3.33%
5	±1.2	2%
7	±2	2.38%
10	±2	1.67%

③	RJ45 PLUG	8P8C 50U" GOLD PLATED TWO-PIECE TRANSPARENT BLACK PLUG; NICKEL-PLATED SHELL		
②	MOLDED	PVC MOLDED BOOT		
①	CABLE	CAT8 U/FTP [30AWG(7/0.10BC)+AL/MYLA]*4+DRALN(7/0.127TC) OD=Ø4.5±0.15MM		
NO.	PART NAME	SPECIFICATION DESCRIPTION	QTY	UNIT

