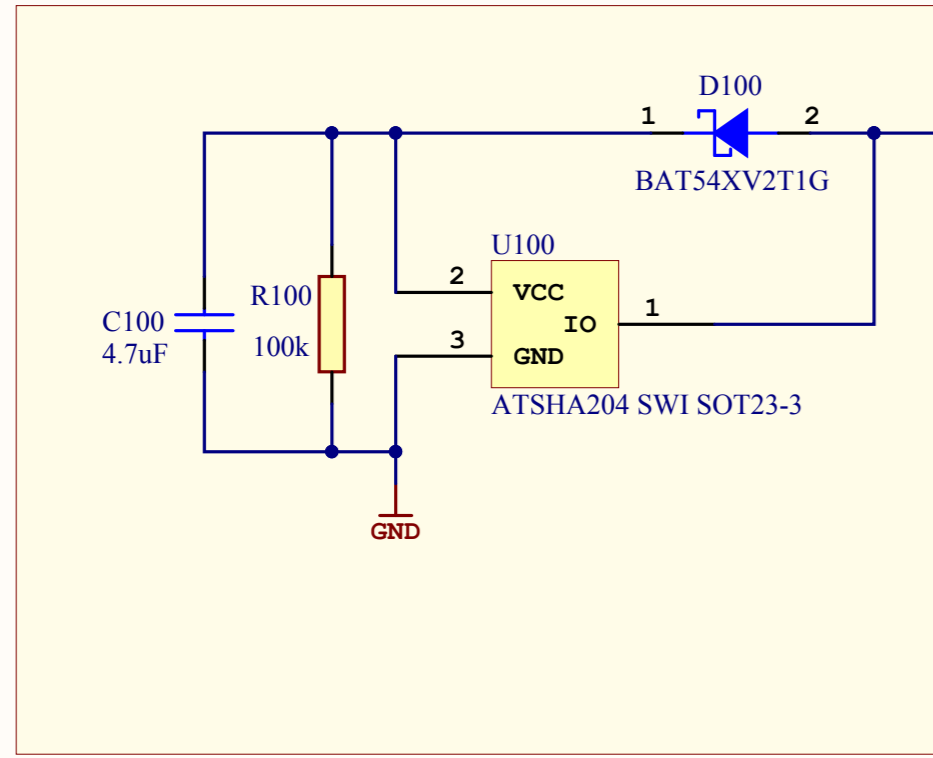
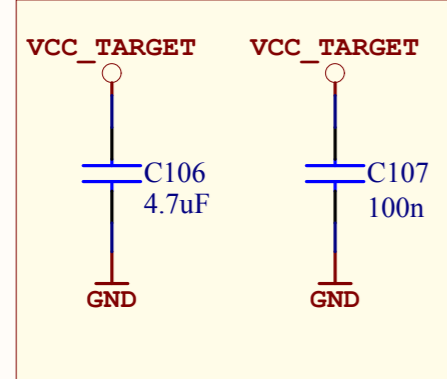


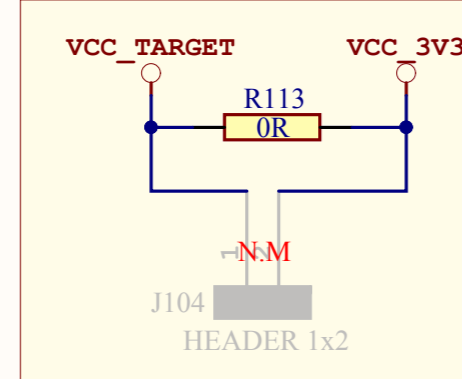
Extension Identification



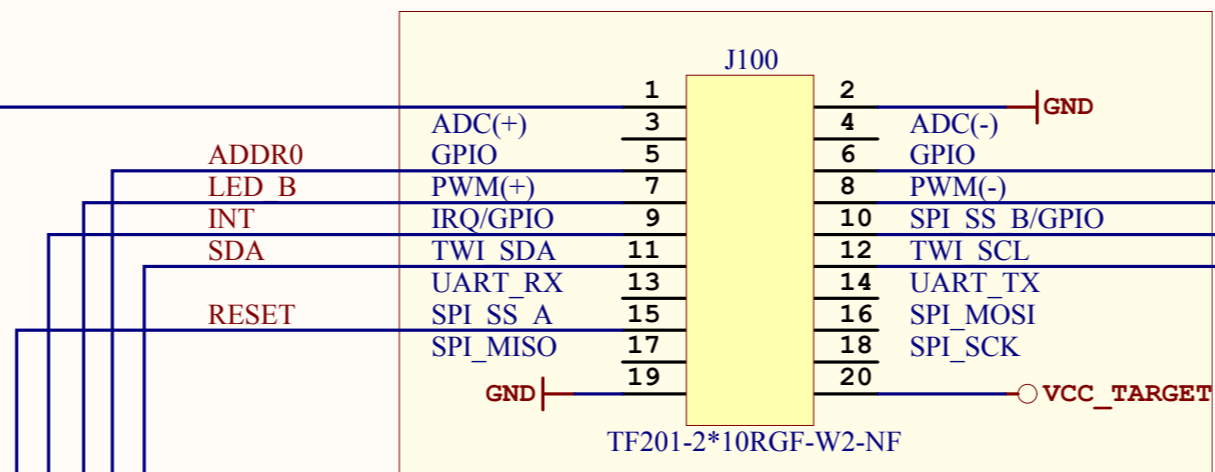
Place Close to J100 VCC Pin



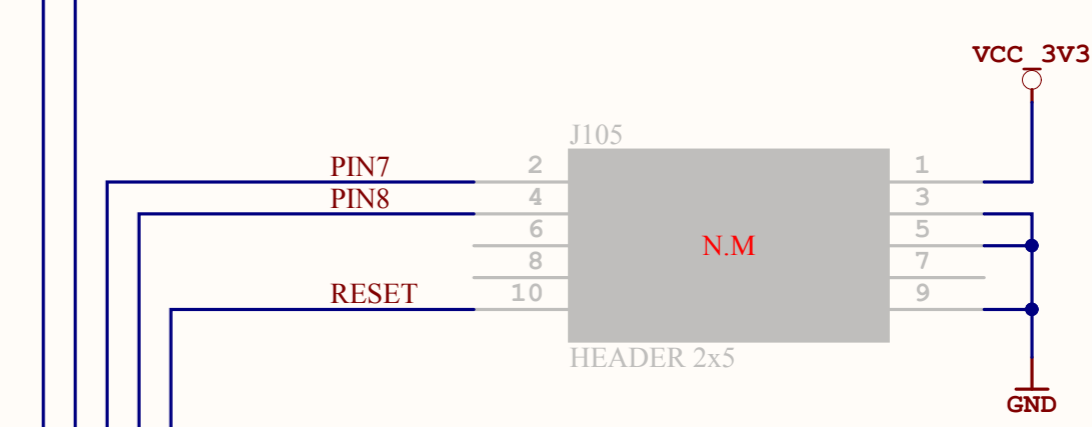
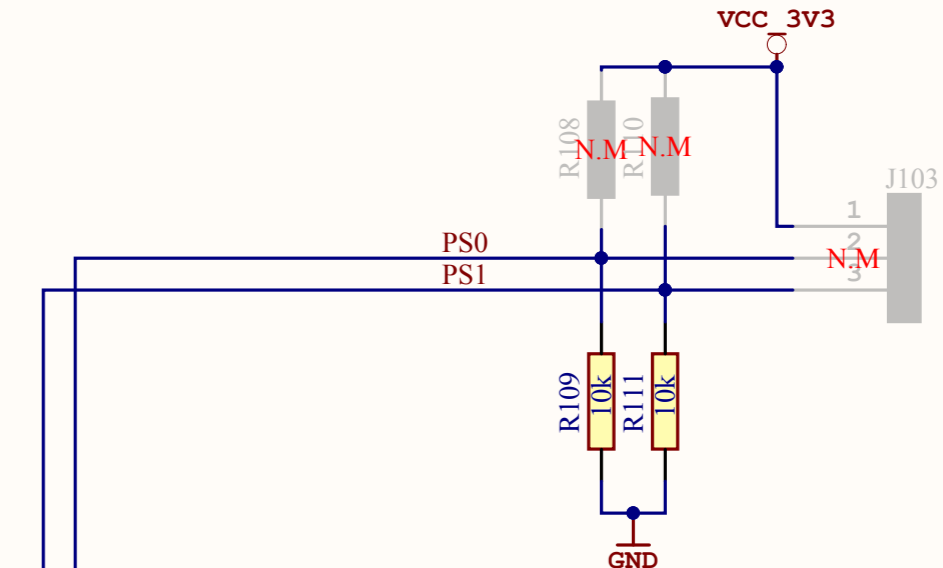
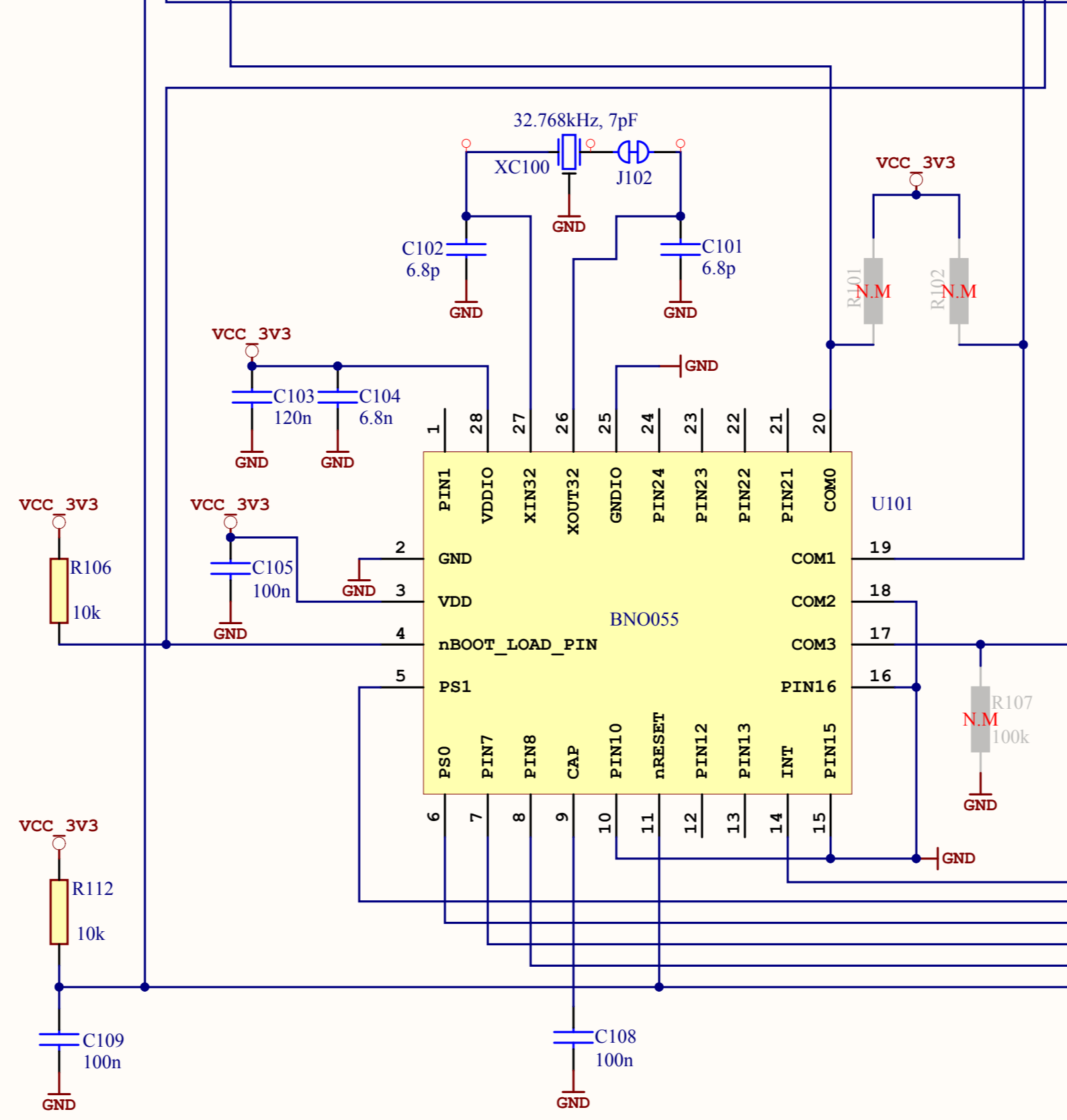
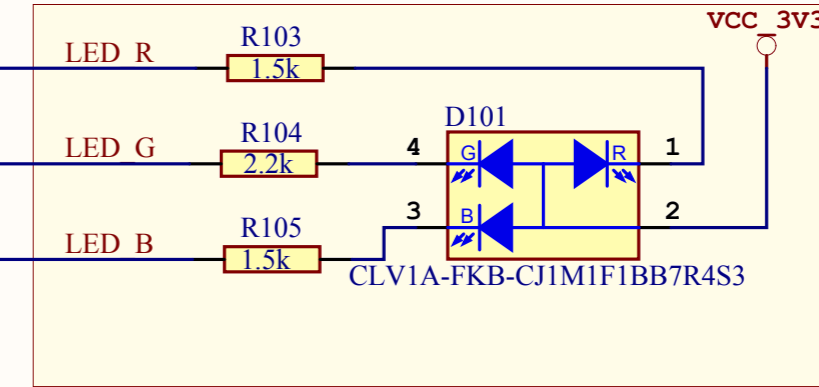
Power measurement



Standard Extension Header (Female)



RGB LED



LABEL1

Product number/revision
Serial number

PCBA Label

E1

RUBBER FEET
SJ-5076

PCB1
A08-2314
ATBNO055-XPRO PCB

FIXTURE1
A13-0087

TESTDOC1
A12-1007

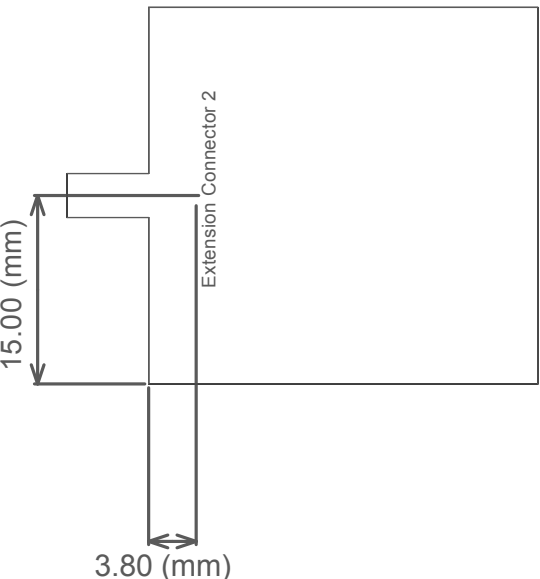
DOC1
A12-1006

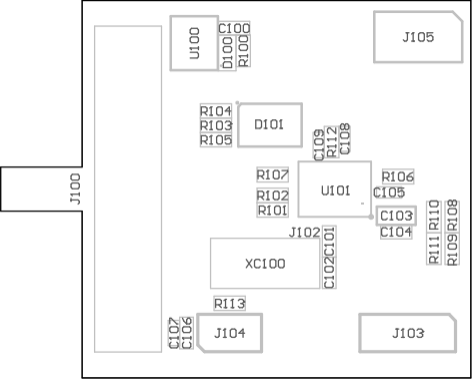
TEST1
A11-0300

ATMEL Norway	*			
Vestre Rosten 79	*			
N-7075 TILLER	*			
NORWAY				
Date:	1/27/2015	10:48:04 AM	PAGE: 1 of 1	
Document number:	A09-2490		Revision	2
TITLE: Bosch BNO055 extension				
BNO055_xplained_pro.SchDoc				



Connector Placement

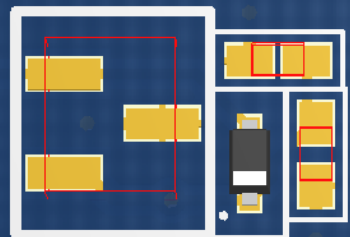
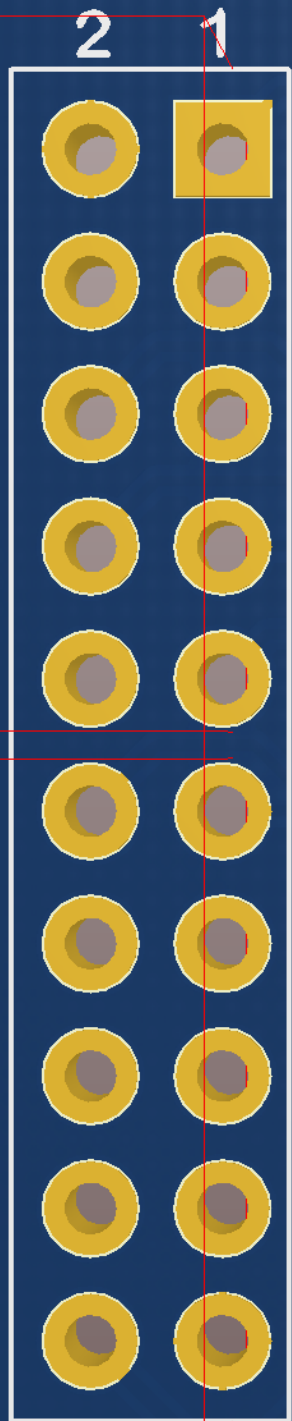




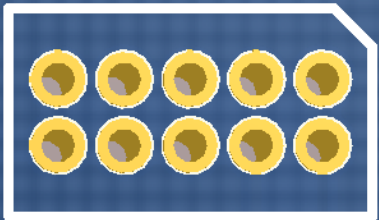
A diagram consisting of a large rectangular frame. On the left side, there is a circle with the text "E1" centered inside it. To the right of the circle is a vertical rectangle with the text "LABEL1" centered inside it. On the right side of the frame, there is a horizontal rectangular extension that is narrower than the main frame, extending from the right edge of the main frame.

E1

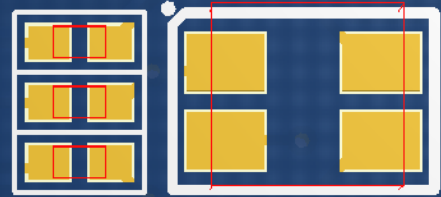
LABEL1



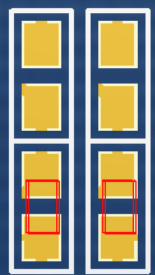
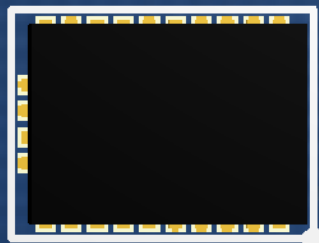
Atmel



BNO055 X PLAINED PRO



BNO055



32.768kHz



PS1 PS0 3V3



CUR_MEAS

20 19

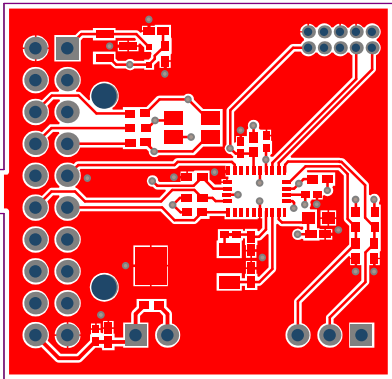


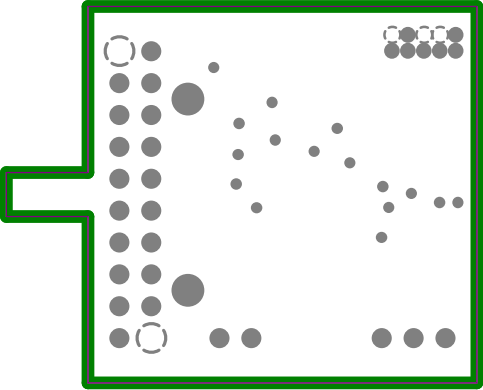
Atmel Corp © 2015

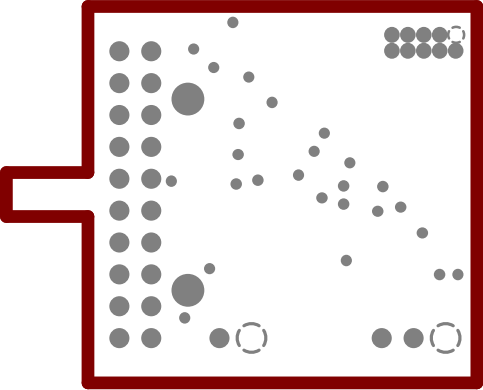
PCBA LABEL
A08-2314 Rev 1

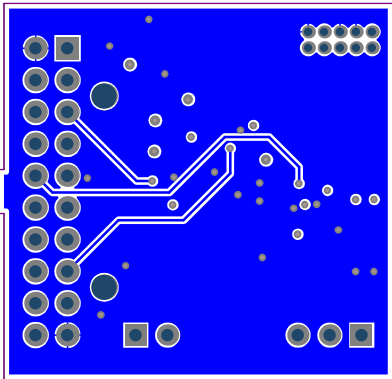
CE











Component list

Bill of Materials Fitted For Variant [Default_assembly] of Project [BNO055_Xplained_pro.PrjPCB] (No PCB Document Selected)

Source Data From: BNO055_Xplained_pro.PrjPCB
 Project: BNO055_Xplained_pro.PrjPCB
 Variant: Default_assembly



Report Date: 1/27/2015 10:48:13 AM
 Print Date: 1/27/2015 10:48:10 AM

Fitted	Designator	Quantity	Value	Manufacturer	MPN	Description
Fitted	C100, C106	2	4.7uF	Murata	GRM155R60J475ME87D	Ceramic capacitor, SMD 0402, X5R, 6.3V, +/-20% (de36887)
Fitted	C101, C102	2	6.8p			Ceramic capacitor, SMD 0402, NP0, 50V, +/-5%
Fitted	C103	1	120n	AVX	0603ZC124KAT2A	Ceramic capacitor, SMD 0803, X7R, 10V, A±10%
Fitted	C104	1	6.8n			Ceramic capacitor, SMD 0402, X7R, 25V, +/-10%
Fitted	C105, C107, C108, C109	4	100n	Kemet	C0402C104K4RACTU	Ceramic capacitor, SMD 0402, X7R, 16V, +/-10%
Fitted	DT00	1	BATS4XV2T1G	ON Semiconductor	BATS4XV2T1G	Schottky diode, If:200mA, Vf:0.35V, Vrrm:30V, SOD-523
Fitted	DT01	1	CLV1A-FKB-CJ1MF1BB7R4S3	CREE	CLV1A-FKB-CJ1MF1BB7R4S3	LED, RGB, diffuse lens, SMD PLCC-4
Fitted	DOC1	1	ATBNO055-XPRO PCB A DOC			A TBNO055-XPRO PCB A documentation
Fitted	E1	1	SJ-5076	3M	SJ-5076	2.8mm adhesive feet,diam 8.0mm
Fitted	FIXTURE1	1	Xplained PRO Extension board Jupiter Test Fixture	ESCAITEC	Xplained PRO Extension board Jupiter Test Fixture	Xplained PRO Extension board Jupiter Test Fixture
Fitted	J100	1	TF201-2*10RGF-W2-NF	Pro-data International Corp	F201-2*10RGF-W2-NF	2x10, female pin header receptacle, right-angled, 2.54mm pitch, THM, Pin In Paste
Fitted	LABEL1	1	PCBA Label	ACT Logimark AS	505462	PCBA identification label PP Top White Gloss
Fitted	PCB1	1	ATBNO055-XPRO PCB			ATBNO055-XPRO PCB documentation
Fitted	R100	1	100k			Thick film resistor, SMD 0402, 1/16W, 1%
Fitted	R103, R105	2	1.5k			Thick film resistor, SMD 0402, 1/16W, 1%
Fitted	R104	1	2.2k			Thick film resistor, SMD 0402, 1/16W, 1%
Fitted	R106, R109, R111, R112	4	10k	vishay	CRCW040210K0FKED	Thick film resistor, SMD 0402, 1/16W, 1%
Fitted	R113	1	0R	(n/a)	RMCF0402ZT0R00	RES 0.0 OHM 1/16W 0402 SMD
Fitted	TEST1	1	Test SW for for A09-2378			Test SW for for A09-2378, ATSAM10-XMIN
Fitted	TESTDOC1	1	BNO055-XPRO test instruction			BNO055-XPRO, A09-2490, test instruction,
Fitted	U100	1	ATSHA204 SWI SOT23-3	ATMEL	ATSHA204-TSU-T	ATSHA204 with 1-wire interface and SOT23-3 package
Fitted	U101	1	BNO055			Intelligent 9-Axis Absolute orientation sensor
Fitted	XC100	1	32.768kHz, 7pF	Micro Crystal	MS1V-T1K 32.768kHz 7pF +/-20PPM TA	32k768 crystal, +/-20ppm, CL=7pF, max ESR 60kOhm, SMD
Not Fitted	J103	0	HMTSW-103-23-F-S-237	SAMTEC	HMTSW-103-23-F-S-237	1x3 pin header, 2.54mm pitch, Pin-in-Paste THM, 1mm hole
Not Fitted	J104	0	HMTSW-102-23-F-S-237	SAMTEC	HMTSW-102-23-F-S-237	1x2 pin header, 2.54mm pitch, Pin-in-Paste THM
Not Fitted	J105	0	PIN HEADER 2x5	Garry	176-2-010-0-T-XS0-0730	2x5 pin header, 1.27mm pitch, THM
Not Fitted	R101, R102	0	10k	vishay	CRCW040210K0FKED	Thick film resistor, SMD 0402, 1/16W, 1%
Not Fitted	R107	0	100k			Thick film resistor, SMD 0402, 1/16W, 1%
Not Fitted	R108, R110	0	0R	(n/a)	RMCF0402ZT0R00	RES 0.0 OHM 1/16W 0402 SMD

Approved	32	Notes