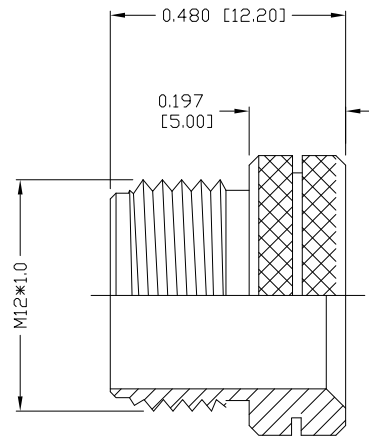
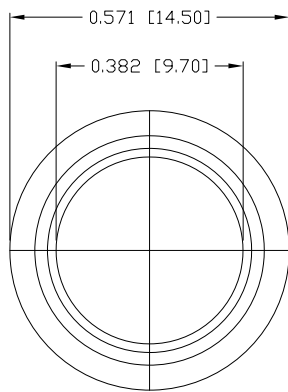
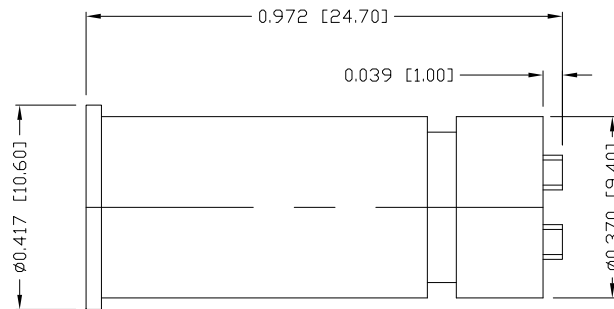
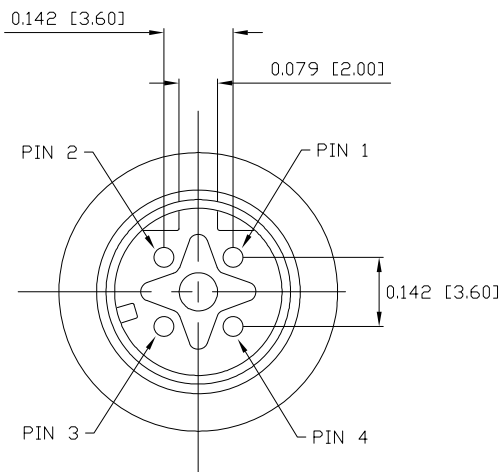


DESCRIPTION: M12 MALE - CABLE MOUNT - 4 POS. - D CODE



NOTE:

MATERIAL

HOUSING: PBT UL94V-0, BLACK
 CONTACT: BRASS
 NUT: BRASS
 O-RING: EPDM, BLACK

FINISH

CONTACT: GOLD PLATED
 OVER 50µ" NICKEL
 NICKEL PLATED

NUT:

ELECTRICAL
 RATED CURRENT: 4A
 RATED VOLTAGE: 250V
 INSULATION RESISTANCE: 100 MΩhms MIN.
 CONTACT RESISTANCE: 10 mΩhms MAX.
 WATER PROOF: IP67

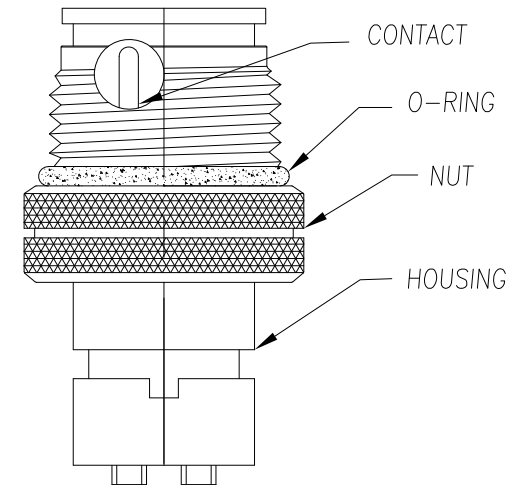
ENVIRONMENT

OPERATION TEMPERATURE: -40°C TO +85°C
 MAX WIRE AWG: 22

858-D04-103RSUY

3 = BRASS/NICKEL NUT
 S = STAINLESS STEEL NUT

1 = GOLD FLASH
 4 = 10µ" GOLD



RoHS COMPLIANT

UNITS = INCHES [MM]

DO NOT SCALE FROM DRAWING



THESE DRAWINGS AND SPECIFICATIONS ARE THE PROPERTY OF NorComp AND SHALL NOT BE REPRODUCED, COPIED OR USED AS THE BASIS FOR THE MANUFACTURE OR SALE OF APPARATUS WITHOUT WRITTEN PERMISSION.

DRAWN:

M. SIGMON

DATE:

05-13-16

NorComp

SCALE: NTS

SHEET 1 OF 1

REV 3

DWG NO.

858-D04-103RSUY