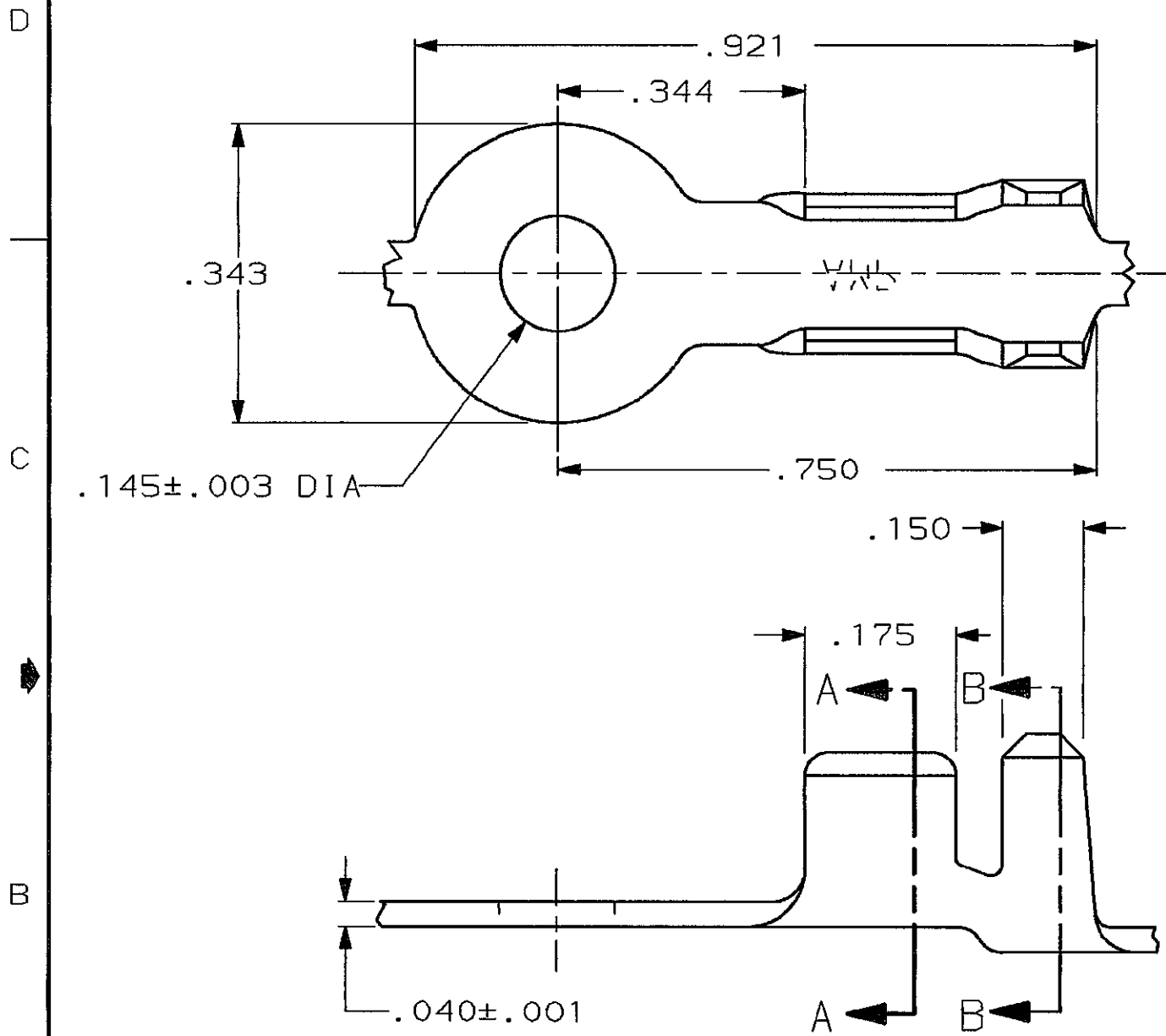


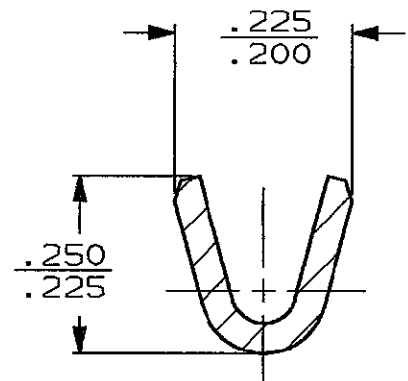
THIS DRAWING IS UNPUBLISHED. RELEASED FOR PUBLICATION .19
 © COPYRIGHT 19 BY AMP INCORPORATED. ALL INTERNATIONAL RIGHTS RESERVED.

LOC	DIST	P	F	ZONE	LTR	DESCRIPTION	DATE	APPD
AF	50				C	REDRAWN AF-2137	8/18/87	PMF

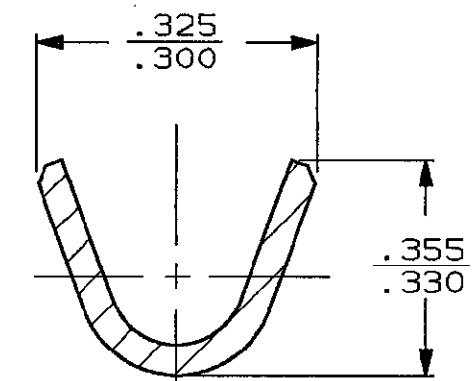
REVISIONS



- ① 12-10 WIRE RANGE FOR .170-.210 INSULATION DIA
- ② CONTINUOUS STRIP ON REELS



SECTION AA



SECTION BB

61424-1

PART NO

DO NOT SCALE PRINT. UNLESS SPECIFIED DIMENSIONS IN INCHES TOLERANCES ON: 2 PLC DEC ± - 3 PLC DEC ± .015 ANGLES ± -	DR <i>P Fortney</i>
MATERIAL T1 BRASS	CHK
FINISH TIN	APPD
	APPD
	PRODUCT SPEC
	APPLICATION SPEC
	WEIGHT -



AMP INCORPORATED
Harrisburg, Pa. 17105

NAME RING		
SIZE B	FSCM NO 00779	DRAWING NO 61424
SCALE NTS	SHEET 1 OF 1	