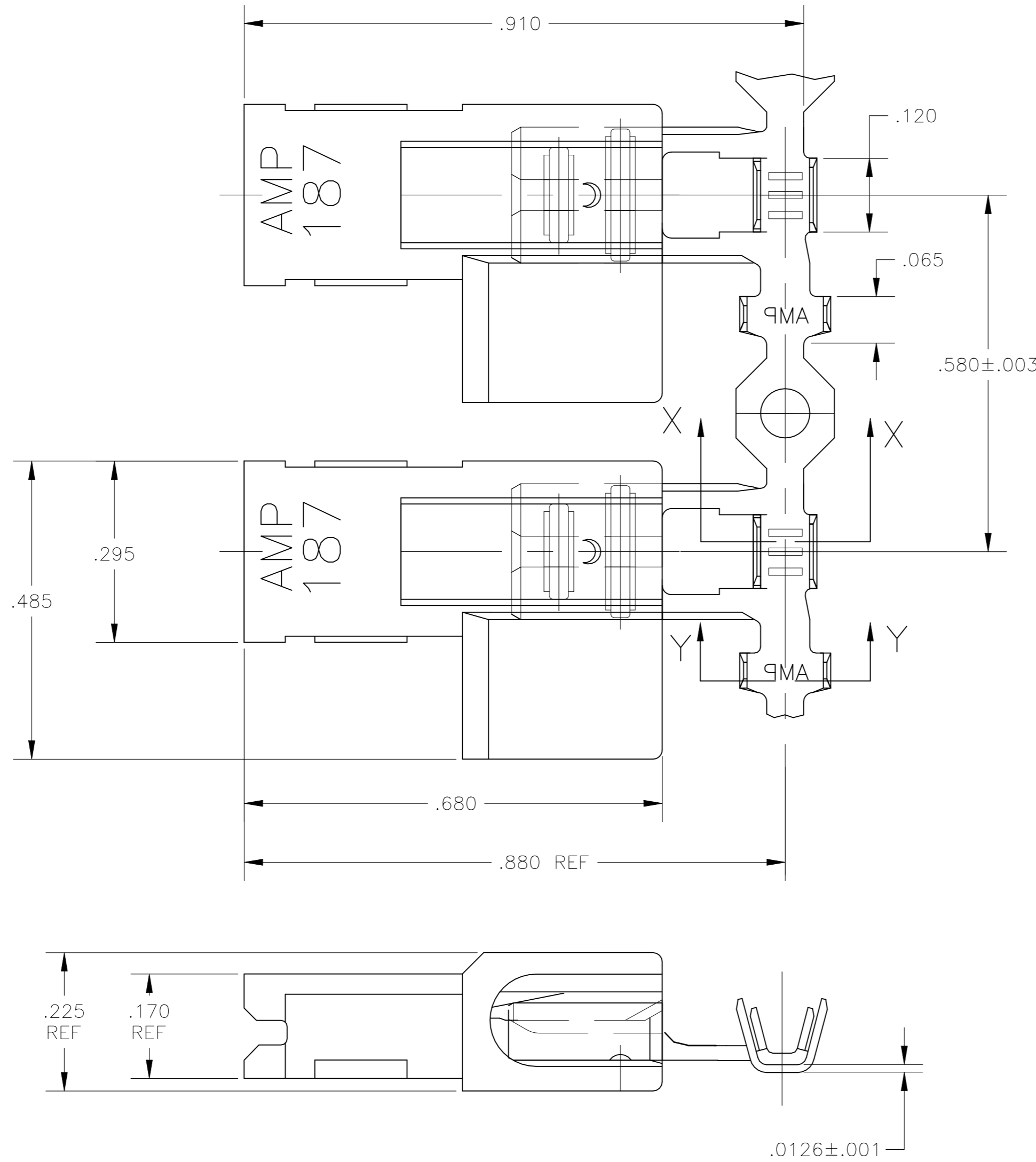
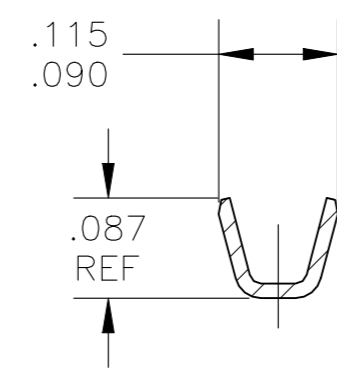


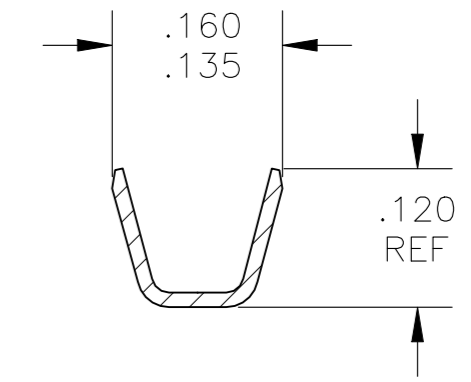
REVISIONS					
P	LTR	DESCRIPTION	DATE	DWN	APVD
D3		REVISED PER ECR-22-139600	30NOV2022	DB	FF



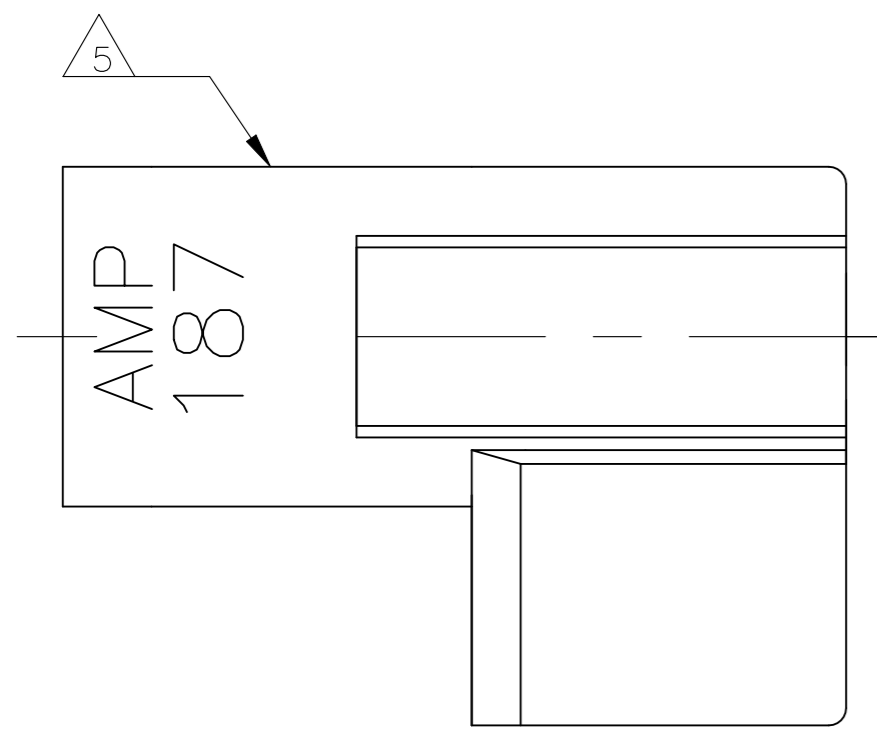
- 1 WIRE SIZE IS #22-#18 AWG
- 2 INSULATION RANGE IS .060-.110 DIA
- 3 MATERIAL;  
TERMINAL: SEE TABLE  
HOUSING: 6/6 NYLON, V2, NATURAL COLOR
- 4 FITS .187 X .032±.001 THK FASTON TAB
- 5 ALTERNATIVE HOUSING FORM
- 6 PREPRODUCTION - FASR REQUIRED.
- 7 PRELIMINARY - NOT FOR PRODUCTION



SECTION X-X



SECTION Y-Y



SUPERSEDED BY 521600-2	PHOS BRONZE	TIN PLATE	7	521598-3
	BRASS	TIN PLATE	6	521598-2
	BRASS	NO PLATING	6	521598-1
TERMINAL MATERIAL	TERMINAL: FINISH	PART NO.		

THIS DRAWING IS A CONTROLLED DOCUMENT.		DWN	JR RUTH	30JUL03		TE Connectivity				
DIMENSIONS: INCHES		CHK	J HUMMEL	24JUL03		ASSEMBLY, RECPT, FLAG, ULTRA-POD, .187 SERIES				
TOLERANCES UNLESS OTHERWISE SPECIFIED:		APVD	KRISTY YI	24JUL03		22-18 AWG				
0 PLC ± -		PRODUCT SPEC	-			-				
1 PLC ± -		APPLICATION SPEC	-			SIZE	CAGE CODE	DRAWING NO	RESTRICTED TO	
2 PLC ± -		-			WEIGHT	A2 00779		C=521598		-
3 PLC ± .010		-			CUSTOMER DRAWING	SCALE	6:1	SHEET	1 of 1	REV
4 PLC ± -		-			D3					
ANGLES ± -										
FINISH										
SEE NOTES										