

RECOMMENDED P.W.BOARD PATTERN LAYOUT
TOLERANCE : ±0.05

- PATTERN KEEP OUT AREA
TOLERANCE : ±0.05
- GND RECOMMENDED PATTERN.

REFERENCE ONLY
There is a proposed drawing for concept,
so the dimensions are subject to change without notice.
Also, this model is tentative, and has the possibility of changing.

REVISED	EC NO: J2017-0313	2016/12/09	GENERAL TOLERANCES (UNLESS SPECIFIED)		DIMENSION STYLE MM ONLY		SCALE 5:1	DESIGN UNITS METRIC	THIRD ANGLE PROJECTION	
	DRWN:YONDA01	2016/12/14	0.25 UNDER	±0.03	DRAWN BY	DATE	TITLE			
A	CHKD:TASAKAWA	2016/12/14	0.25 OVER	±0.05	YMATSUMOTO	2014/01/24	MICRO SD CONN. BAR-PUSH TRAY TYPE ASSY			
	APPR:IKUSUHARA01	2016/12/19	0.5 UNDER	±0.1	CHECKED BY	DATE				
REV	DESCRIPTION		1.0 OVER	±0.2	SAKIYAMA	2014/01/24	molex			
	ANGULAR ±1 °		10 UNDER	±0.25	APPROVED BY	DATE				
DRAFT WHERE APPLICABLE MUST REMAIN WITHIN DIMENSIONS			30 OVER	±0.3	NUKITA	2014/01/31	DOCUMENT NO.		SHEET NO.	
			SEE SHEET 1 OF 3			SD-504528-003		2 OF 3		
THIS DRAWING CONTAINS INFORMATION THAT IS PROPRIETARY TO MOLEX ELECTRONIC TECHNOLOGIES, LLC AND SHOULD NOT BE USED WITHOUT WRITTEN PERMISSION										

10 9 8 7 6 5 4 3 2 1

F

E

D

C

B

A

F

E

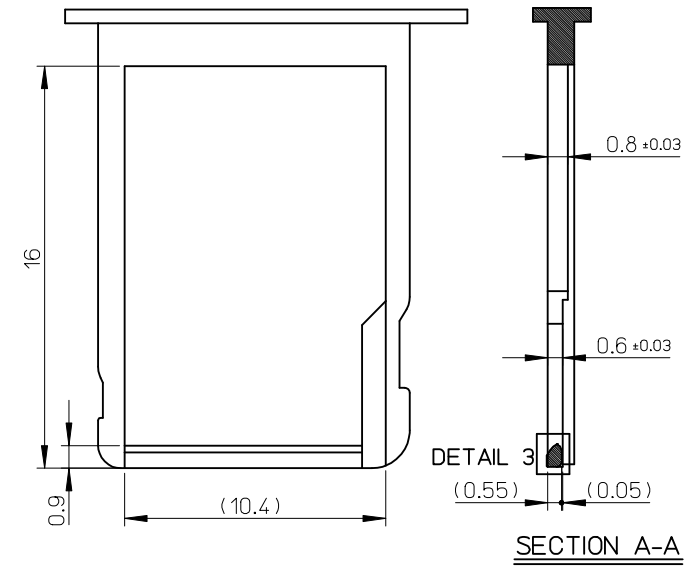
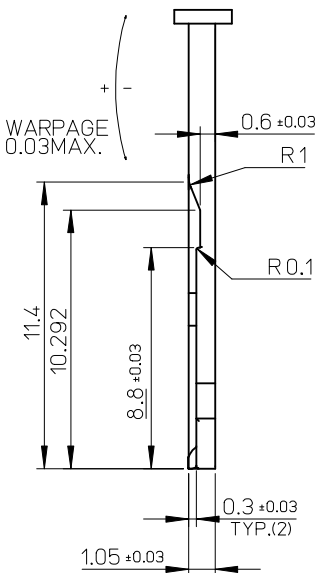
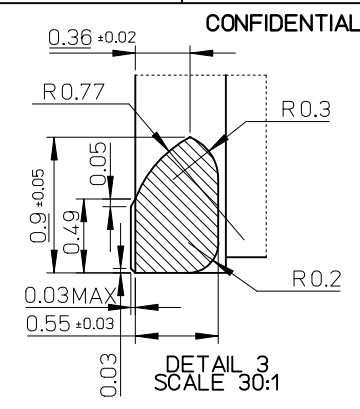
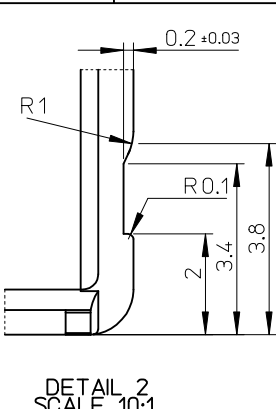
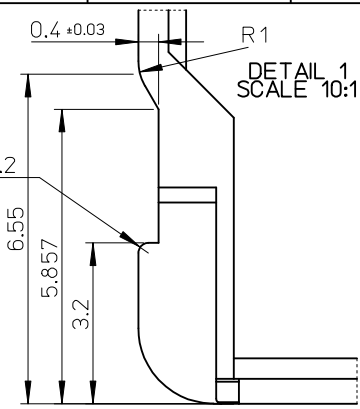
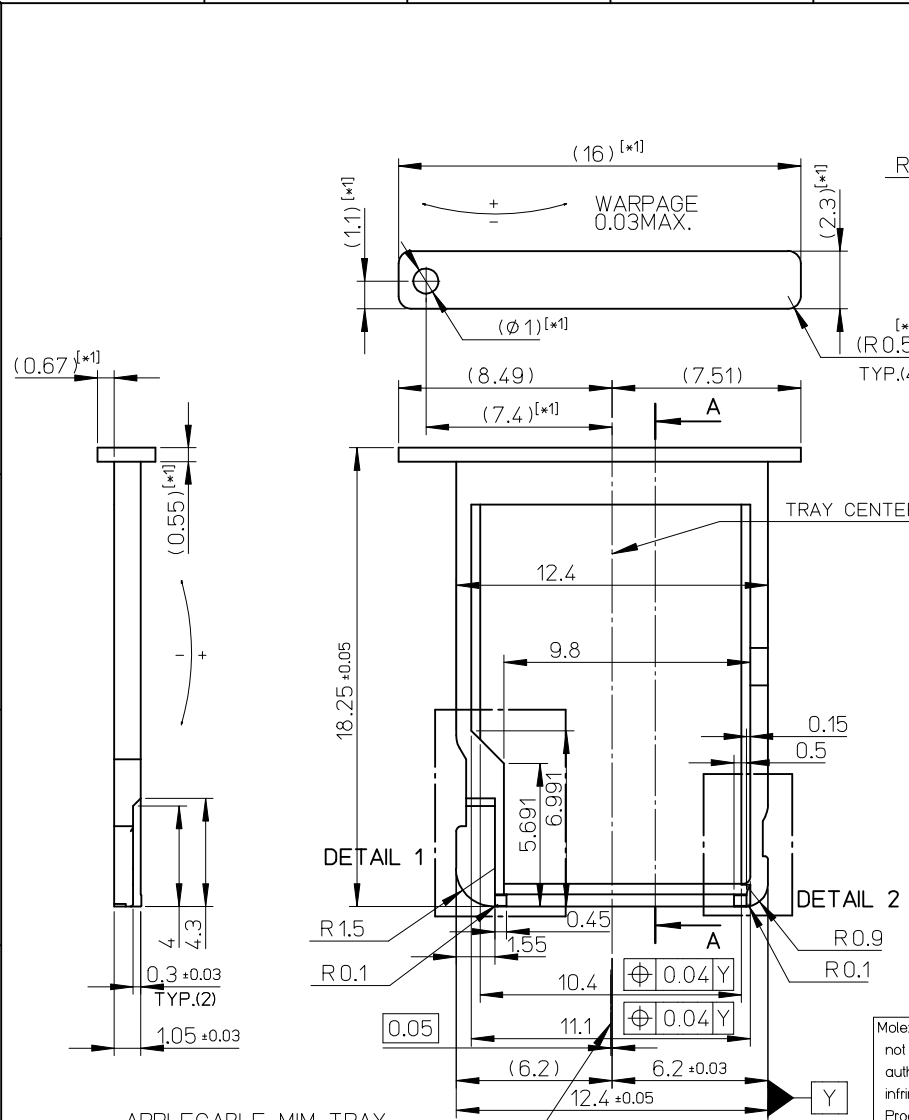
D

C

B

A

CONFIDENTIAL



APPLICABLE MIM TRAY (REFERENCE ONLY)

TOLERANCE : ±0.05
 COPRANALITY 0.05MAX
 SURFACE ROUGHNESS : Ra=1 μm MAX.

[x1]CUSTOMER CAN DECIDE THIS DIMENSION.
 REFERENCE ONLY
 There is a proposed drawing for concept,
 so the dimensions are subject to change without notice.
 Also, this model is tentative, and has the possibility of changing.

Molex shall not be responsible for any infringement to the extent such infringement is the result of (a) use of the Product(s) in combination with any other products not provided by Molex if the infringement would not have occurred but for such combination, (b) any alteration or modification of the Product(s) not undertaken or authorized by Molex if the infringement would not have occurred but for such alteration or modification, (c) Molex's compliance with Buyer's specifications if the infringement would not have occurred but for such compliance, or (d) Buyer's failure to comply with Molex's instructions regarded as necessary to render the Product(s) non-infringing if the infringement would not have occurred if Buyer would have complied with Molex's instructions.

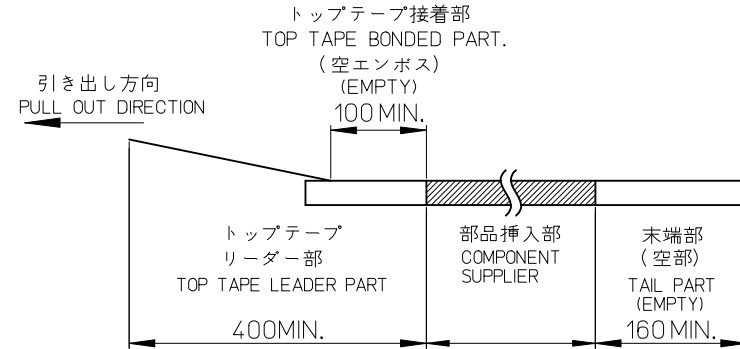
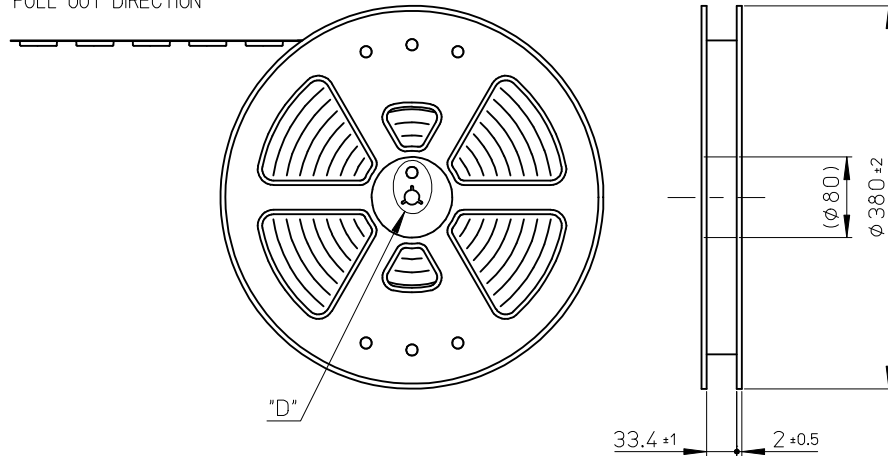
REVISED EC NO: J2017-031B DRWN:YHONDA01 CHKD:TASAKAWA APPR:TKUSUHARA01	GENERAL TOLERANCES (UNLESS SPECIFIED)		DIMENSION STYLE MM ONLY		SCALE 5:1	DESIGN UNITS METRIC	THIRD ANGLE PROJECTION
	0.25 UNDER	±0.03	DRAWN BY	DATE	TITLE		
	0.25 OVER 0.5 UNDER	±0.05	YMATSUMOTO	2014/01/24	MICRO SD CONN. BAR-PUSH TRAY TYPE ASSY		
	0.5 OVER 1.0 UNDER	±0.1	SAKIYAMA	2014/01/24	molex		
1.0 OVER 10 UNDER	±0.2	APPROVED BY	DATE	DOCUMENT NO.		SHEET NO.	
10 OVER 30 UNDER	±0.25	NUKITA	2014/01/31	SD-504528-003		3 OF 3	
30 OVER	±0.3	MATERIAL NO.		THIS DRAWING CONTAINS INFORMATION THAT IS PROPRIETARY TO MOLEX ELECTRONIC TECHNOLOGIES, LLC AND SHOULD NOT BE USED WITHOUT WRITTEN PERMISSION			
ANGULAR ±1 °		SEE SHEET 1 OF 3					
DRAFT WHERE APPLICABLE MUST REMAIN WITHIN DIMENSIONS		SIZE A3					

NOTES

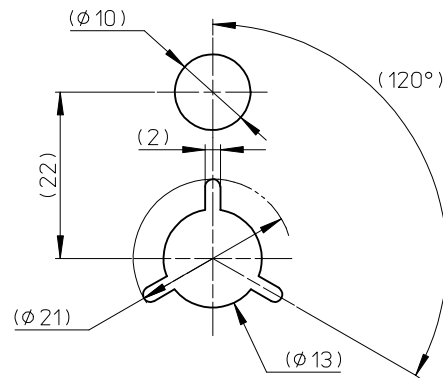
CONFIDENTIAL

- 製品詳細寸法は製品単体図面を参照して下さい。
FOR DETAIL OF CONNECTOR DIMENSIONS, PLEASE SEE THE DRAWING OF CONNECTOR ITSELF (NOT PACKAGED)
- 梱包数量: 1400個/リール
NUMBER OF CONNECTORS: 1400 PCS/REEL.
- リードテープ長さ LEAD TAPE LENGTH.

引き出し方向
PULL OUT DIRECTION



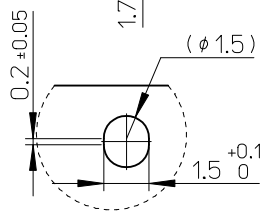
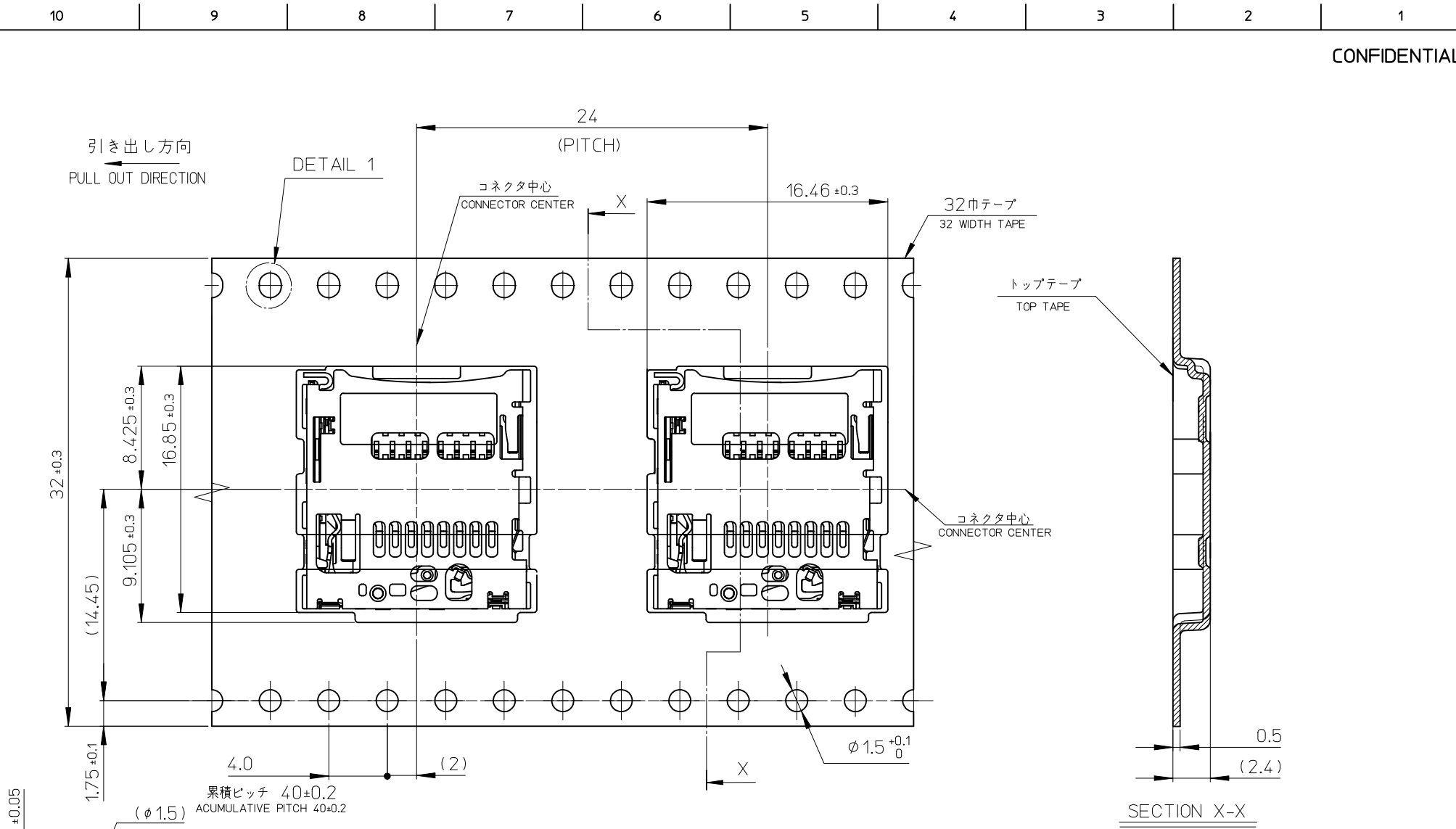
- カバーテープの剥離強度については、IEC60286-3に準拠
Cover tape peel force is defined by IEC60286-3.
- 材料 MATERIAL
キャリアテープ(CARRIER TAPE): ポリスチレン (POLYSTYRENE)
トップテープ(TOP TAPE): PET, PE, PEF
リール(REEL): ポリスチレン(PS)<リサイクル材含む>
POLYSTYRENE (PS)<RECYCLE MATERIAL CONTAINED>
- ELV AND RoHS COMPLIANT



DETAIL "D"

504528-0821	504528-0892	504528-08**
CONNECTOR ONLY		MODEL NO.

REVISED EC NO: J2017-0313 DRWN: YHONDA01 2016/12/09 CHKD: TASAKAWA 2016/12/14 APPR: KUSUHARA01 2016/12/19	GENERAL TOLERANCES (UNLESS SPECIFIED)		DIMENSION STYLE MM ONLY		SCALE ---	DESIGN UNITS METRIC	THIRD ANGLE PROJECTION
	0.25 UNDER	±0.03	DRAWN BY	DATE	TITLE		
	0.25 OVER 0.5 UNDER	±0.05	YMATSUMOTO	2014/01/24	MICRO SD CARD CONN. BAR-PUSH TRAY TYPE EMBOSSSED TAPE PACKAGE		
	0.5 OVER 1.0 UNDER	±0.1	SAKIYAMA	2014/01/24	molex		
1.0 OVER 10 UNDER	±0.2	APPROVED BY	DATE	MATERIAL NO.	DOCUMENT NO.	SHEET NO.	
10 OVER 30 UNDER	±0.25	NUKITA	2014/01/31	SEE CHART	SD-504528-004	1 OF 2	
30 OVER	±0.3			THIS DRAWING CONTAINS INFORMATION THAT IS PROPRIETARY TO MOLEX ELECTRONIC TECHNOLOGIES, LLC AND SHOULD NOT BE USED WITHOUT WRITTEN PERMISSION			
ANGULAR	±1 °						
DRAFT WHERE APPLICABLE MUST REMAIN WITHIN DIMENSIONS							



DETAIL 1
SCALE 3:1

REVISED EC NO: J2017-0313 DRWN: YHONAO1 2016/12/09 CHKD: TASAKAWA 2016/12/14 APPR: KUSUHARA01 2016/12/19	GENERAL TOLERANCES (UNLESS SPECIFIED)		DIMENSION STYLE MM ONLY		SCALE ---	DESIGN UNITS METRIC	THIRD ANGLE PROJECTION
	0.25 UNDER	± 0.03	DRAWN BY YMATSUMOTO		DATE 2014/01/24		TITLE MICRO SD CARD CONN. BAR-PUSH TRAY TYPE EMBOSSED TAPE PACKAGE
	0.25 OVER 0.5 UNDER	± 0.05	CHECKED BY SAKIYAMA		DATE 2014/01/24		
	0.5 OVER 1.0 UNDER	± 0.1	APPROVED BY NUKITA		DATE 2014/01/31		
	1.0 OVER 30 UNDER	± 0.2	MATERIAL NO. SEE SHEET 1 OF 2		DOCUMENT NO. SD-504528-004		SHEET NO. 2 OF 2
30 OVER	± 0.3	DRAFT WHERE APPLICABLE MUST REMAIN WITHIN DIMENSIONS		THIS DRAWING CONTAINS INFORMATION THAT IS PROPRIETARY TO MOLEX ELECTRONIC TECHNOLOGIES, LLC AND SHOULD NOT BE USED WITHOUT WRITTEN PERMISSION			