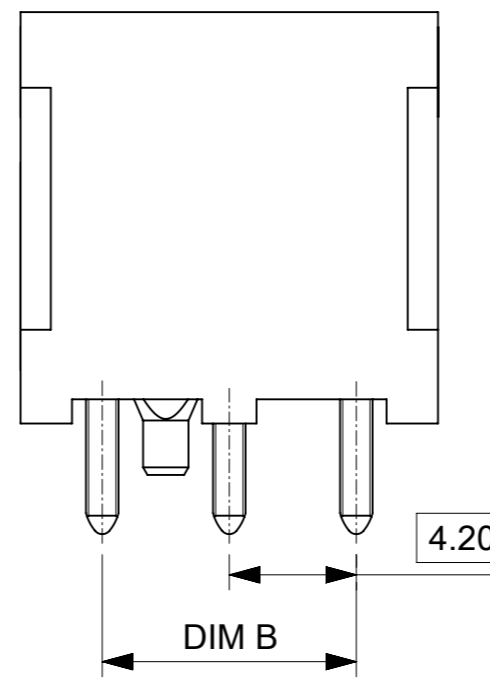
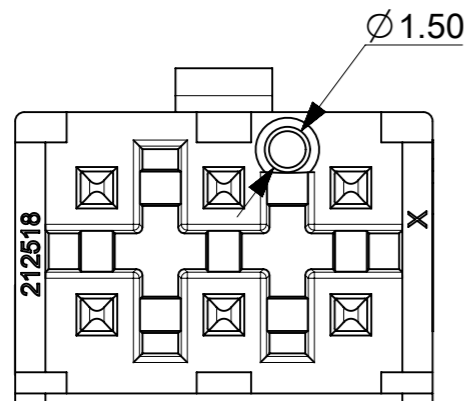
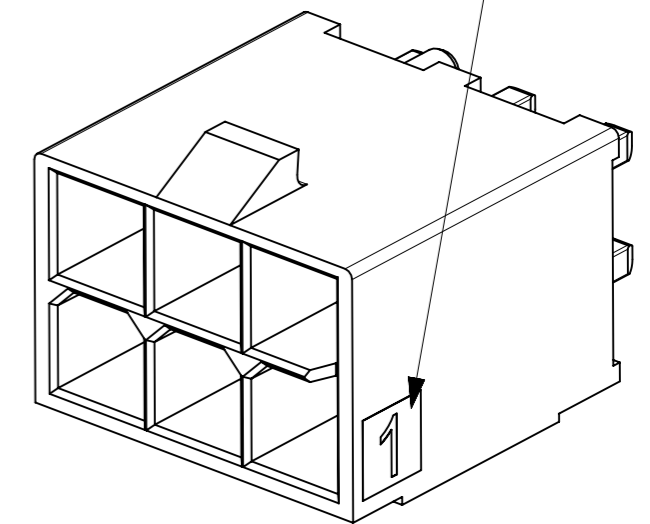


MOLEX LOGO

CKT NO.

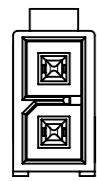


NOTES:

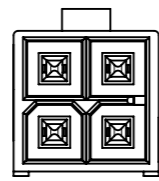
- MATERIALS:
HOUSING - LCP UL94V-0, COLOR: BLACK
TERMINAL - COPPER ALLOY
- TERMINAL PLATING: TIN OVER NICKEL OVERALL.
- PRODUCT SPECIFICATION: 2125150000-PS.
- PACKAGING SPECIFICATION: TRAY PACK PER: 212520001-PK
- PART MATES WITH MINI-FIT MAX RECEPTACLE SERIES 212514.
- DISCOLORIZATION IN THE BANDOLIER CARRIER AREA OF THE PIN IS INHERENT TO THE PLATING PROCESS AND IS DUE TO THE MASKING EFFECT OF THE CARRIER. THIS DISCOLORIZATION IS A NON-FUNCTIONAL AREA OF THE PIN AND WILL NOT AFFECT THE PERFORMANCE OF THE HEADER ASSEMBLY.
- CONNECTORS ARE NOT TO BE MATED OR UNMATED WHILE CIRCUITS ARE LIVE.
- PARTS ARE NOT DESIGNED FOR CURRENT SHARING.
- THIS PART CONFORMS TO CLASS "B" REQUIREMENTS OF COSMETIC SPECIFICATION PS-45499-002.
- TEXT ON PART IS FOR REFERENCE ONLY. TEXT AND TEXT LOCATION MAY VARY DEPENDING ON PART NUMBER AND/OR TOOL.

FUNCTIONAL SYMBOLS	THIS DRAWING CONTAINS INFORMATION THAT IS PROPRIETARY TO MOLEX ELECTRONIC TECHNOLOGIES, LLC AND SHOULD NOT BE USED WITHOUT WRITTEN PERMISSION		CURRENT REV DESC:		molex
	MM	SCALE	EC NO: 712754		
FA = 0	mm	4:1	DRWN: ZIXUAQ 2022/07/01		MINI-FIT MAX DR HDR VERTICAL VERT. HEADER ASSY 2-12 CKT
FE = 0	GENERAL TOLERANCES (UNLESS SPECIFIED)		CHK'D: XQZHANG 2022/07/01		
FE = 0	ANGULAR TOL ± °		APPR: XQZHANG 2022/07/01		PRODUCT CUSTOMER DRAWING
DIVISIONAL SYMBOLS		4 PLACES ±	INITIAL REVISION:		
		3 PLACES ±	DRWN: SCHEN76 2020/04/24		DOCUMENT NUMBER
		2 PLACES ± 0.25	APPR: YXZHENG 2020/05/13		2125200001-SD
		1 PLACE ± 0.5			DOC TYPE
		0 PLACES ±			PSD
		DRAFT WHERE APPLICABLE MUST REMAIN WITHIN DIMENSIONS		THIRD ANGLE PROJECTION	DOC PART
				DRAWING	000
				SERIES	B2
				MATERIAL NUMBER	REVISION
				CUSTOMER	
				SEE TABLE	
				GENERAL MARKET	
				SHEET NUMBER	
				1 OF 2	

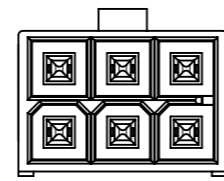
TIN PLATING				
CKT SIZE	PART NO.	DIM A	DIM B	DIM C
2	212520-1002	5.40	NA	NA
4	212520-1004	9.60	4.2	2.10
6	212520-1006	13.80	8.40	4.20
8	212520-1008	18.00	12.60	6.30
10	212520-1010	22.20	16.80	8.40
12	212520-1012	26.40	21.00	10.50



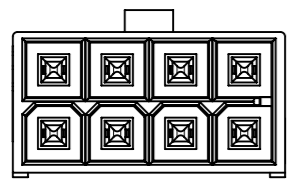
2 CKT



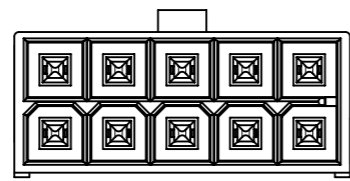
4 CKT



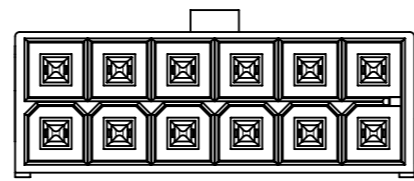
6 CKT



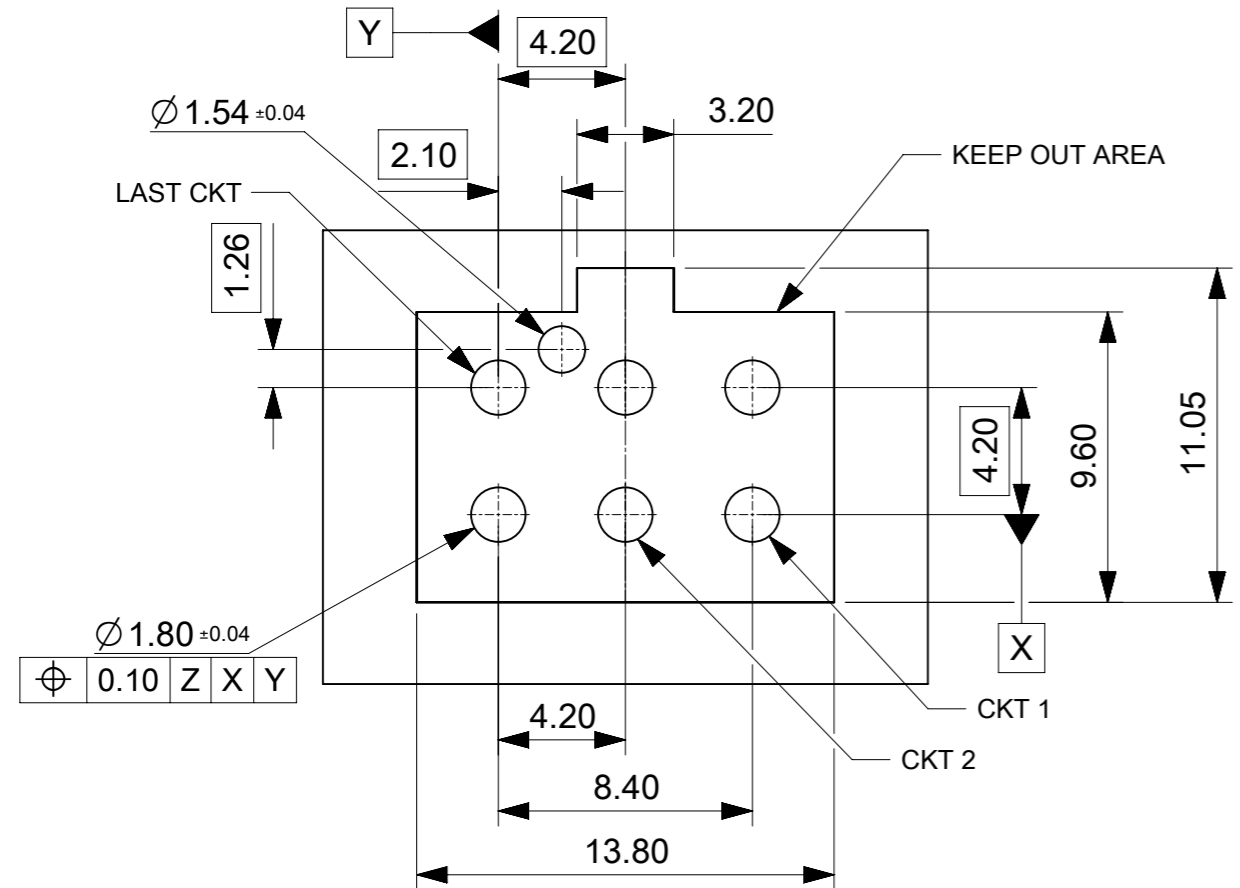
8 CKT



10 CKT



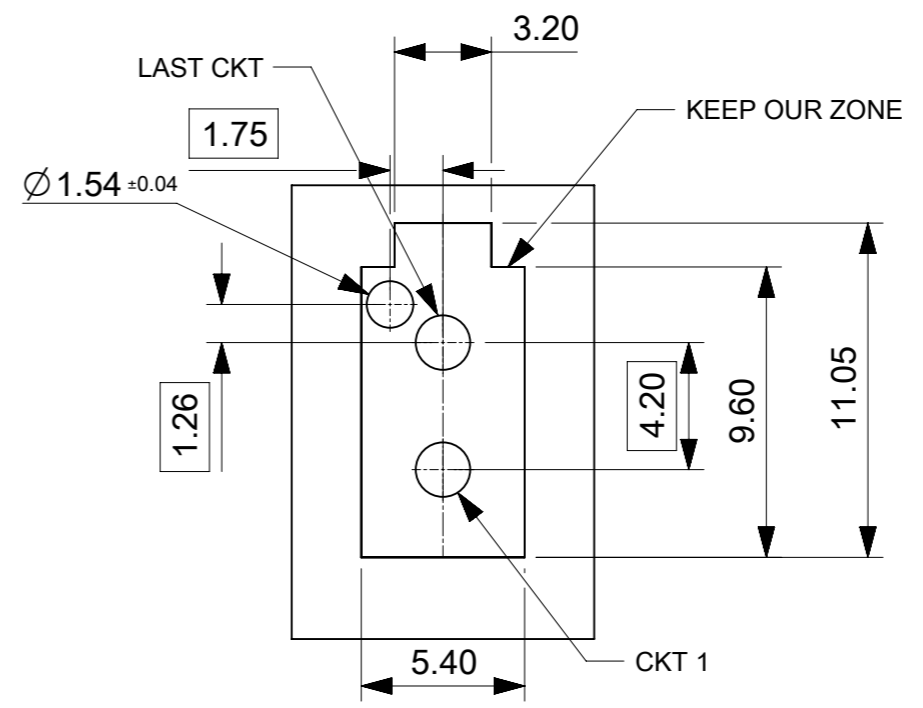
12 CKT



FOR 4 TO 12CKTS

PCB LAYOUT COMPONENT SIDE
RECOMENDED PCB THICKNESS 1.60MM-2.40MM

NOTE: DATUM -Z- IS ON PCB COMPONENT SIDE



FOR 2CKTS

FUNCTIONAL SYMBOLS	THIS DRAWING CONTAINS INFORMATION THAT IS PROPRIETARY TO MOLEX ELECTRONIC TECHNOLOGIES, LLC AND SHOULD NOT BE USED WITHOUT WRITTEN PERMISSION	CURRENT REV DESC:																																
	<table border="1"> <tr> <th>FUNCTIONAL SYMBOLS</th> <th>DIMENSION UNITS</th> <th>SCALE</th> </tr> <tr> <td>$\nabla_A = 0$</td> <td>mm</td> <td>4:1</td> </tr> <tr> <td colspan="3">GENERAL TOLERANCES (UNLESS SPECIFIED)</td> </tr> <tr> <td>$\nabla_E = 0$</td> <td colspan="2">ANGULAR TOL ± °</td> </tr> <tr> <td>$\nabla_F = 0$</td> <td>4 PLACES</td> <td>±</td> </tr> <tr> <td rowspan="5">DIVISIONAL SYMBOLS</td> <td>3 PLACES</td> <td>±</td> </tr> <tr> <td>2 PLACES</td> <td>± 0.25</td> </tr> <tr> <td>1 PLACE</td> <td>± 0.5</td> </tr> <tr> <td>0 PLACES</td> <td>±</td> </tr> <tr> <td colspan="2">DRAFT WHERE APPLICABLE MUST REMAIN WITHIN DIMENSIONS</td> <td>THIRD ANGLE PROJECTION</td> </tr> </table>	FUNCTIONAL SYMBOLS	DIMENSION UNITS				SCALE	$\nabla_A = 0$	mm	4:1	GENERAL TOLERANCES (UNLESS SPECIFIED)			$\nabla_E = 0$	ANGULAR TOL ± °		$\nabla_F = 0$	4 PLACES	±	DIVISIONAL SYMBOLS	3 PLACES	±	2 PLACES	± 0.25	1 PLACE	± 0.5	0 PLACES	±	DRAFT WHERE APPLICABLE MUST REMAIN WITHIN DIMENSIONS		THIRD ANGLE PROJECTION	EC NO: 712754 DRWN: ZIXUAG CHK'D: XQZHANG APPR: XQZHANG 2022/07/01		EC NO: 712754 DRWN: ZIXUAG CHK'D: XQZHANG APPR: XQZHANG 2022/07/01
FUNCTIONAL SYMBOLS	DIMENSION UNITS	SCALE																																
$\nabla_A = 0$	mm	4:1																																
GENERAL TOLERANCES (UNLESS SPECIFIED)																																		
$\nabla_E = 0$	ANGULAR TOL ± °																																	
$\nabla_F = 0$	4 PLACES	±																																
DIVISIONAL SYMBOLS	3 PLACES	±																																
	2 PLACES	± 0.25																																
	1 PLACE	± 0.5																																
	0 PLACES	±																																
	DRAFT WHERE APPLICABLE MUST REMAIN WITHIN DIMENSIONS		THIRD ANGLE PROJECTION																															
INITIAL REVISION: DRWN: SCHEN76 APPR: YXZHENG 2020/04/24 2020/05/13				PRODUCT CUSTOMER DRAWING																														
DOCUMENT NUMBER: 2125200001-SD				DOC TYPE: PSD	DOC PART: 000	REVISION: B2																												
DRAFT WHERE APPLICABLE MUST REMAIN WITHIN DIMENSIONS		THIRD ANGLE PROJECTION	DRAWING: A3-SIZE	SERIES: 212520	MATERIAL NUMBER: SEE TABLE	CUSTOMER: GENERAL MARKET	SHEET NUMBER: 2 OF 2																											