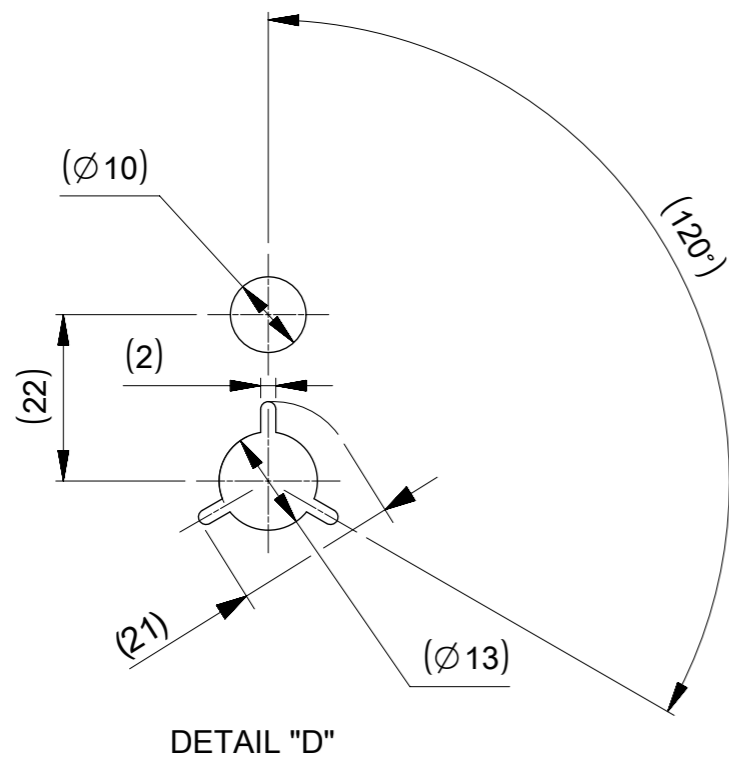
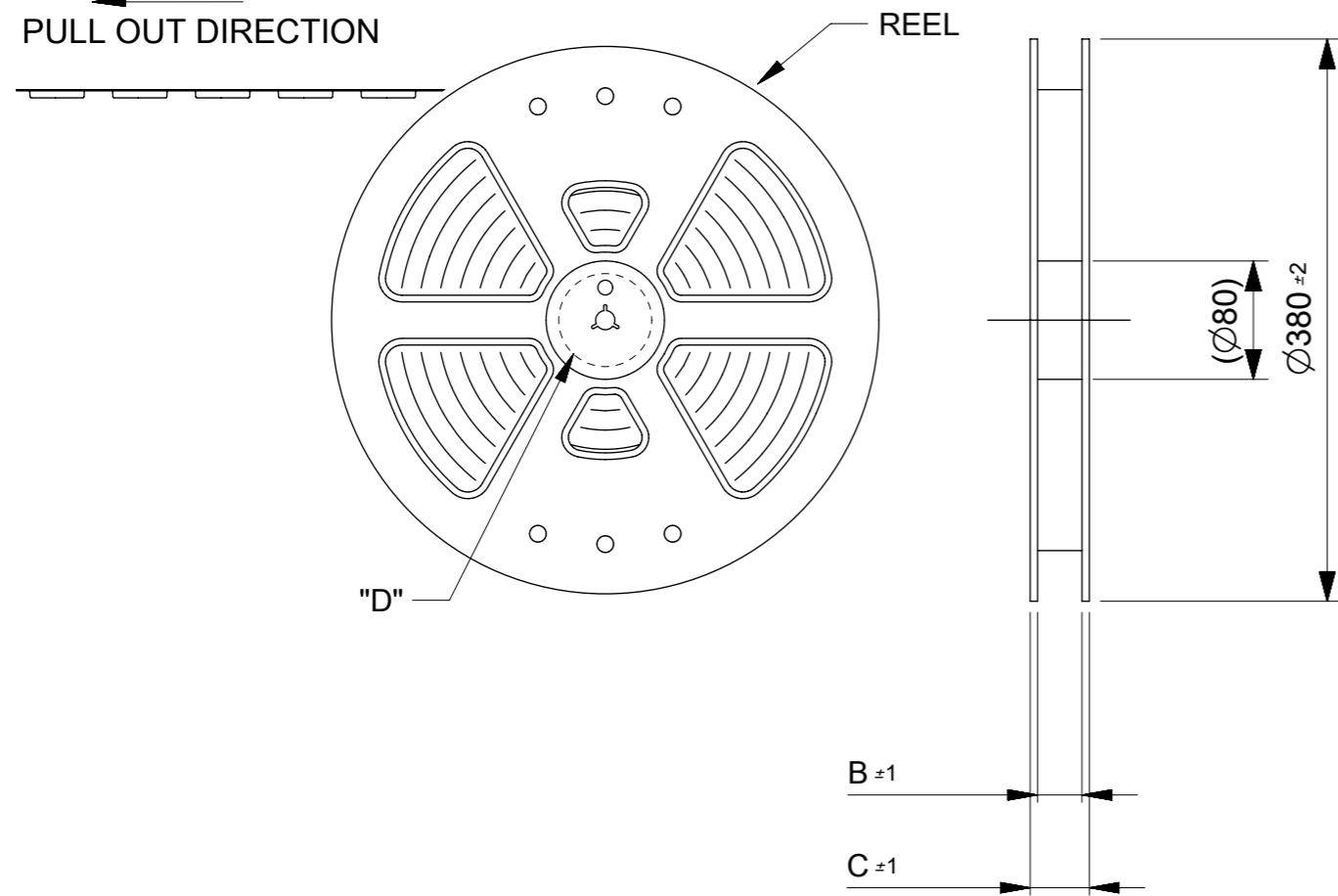
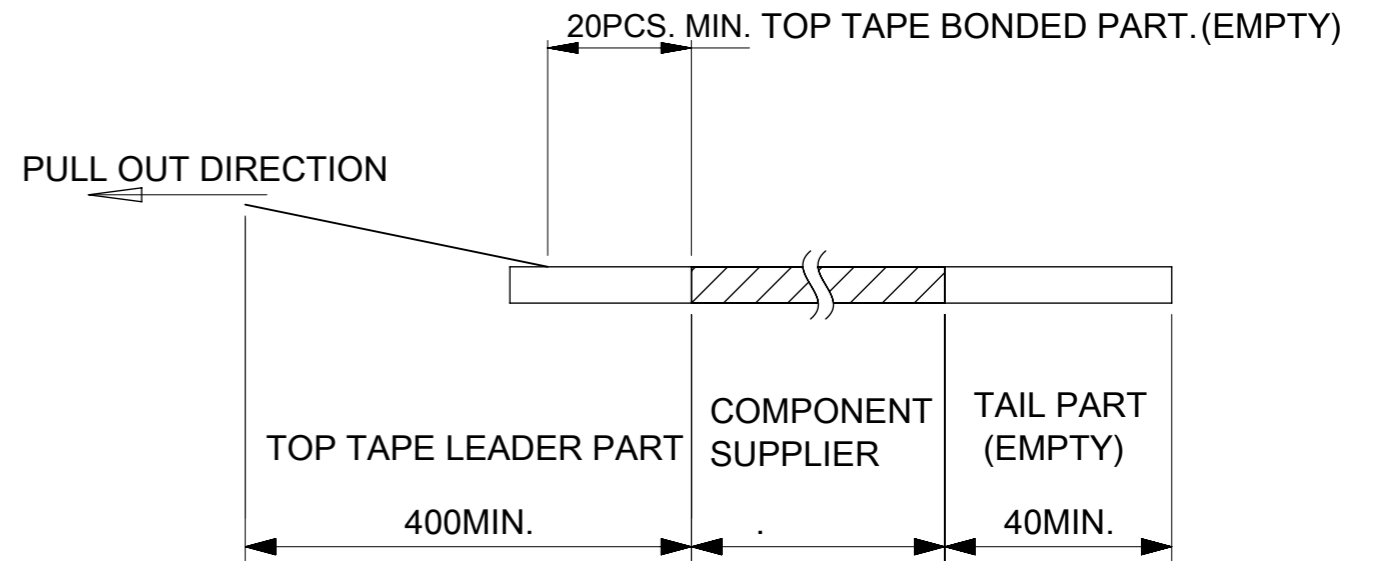


PULL OUT DIRECTION



NOTES

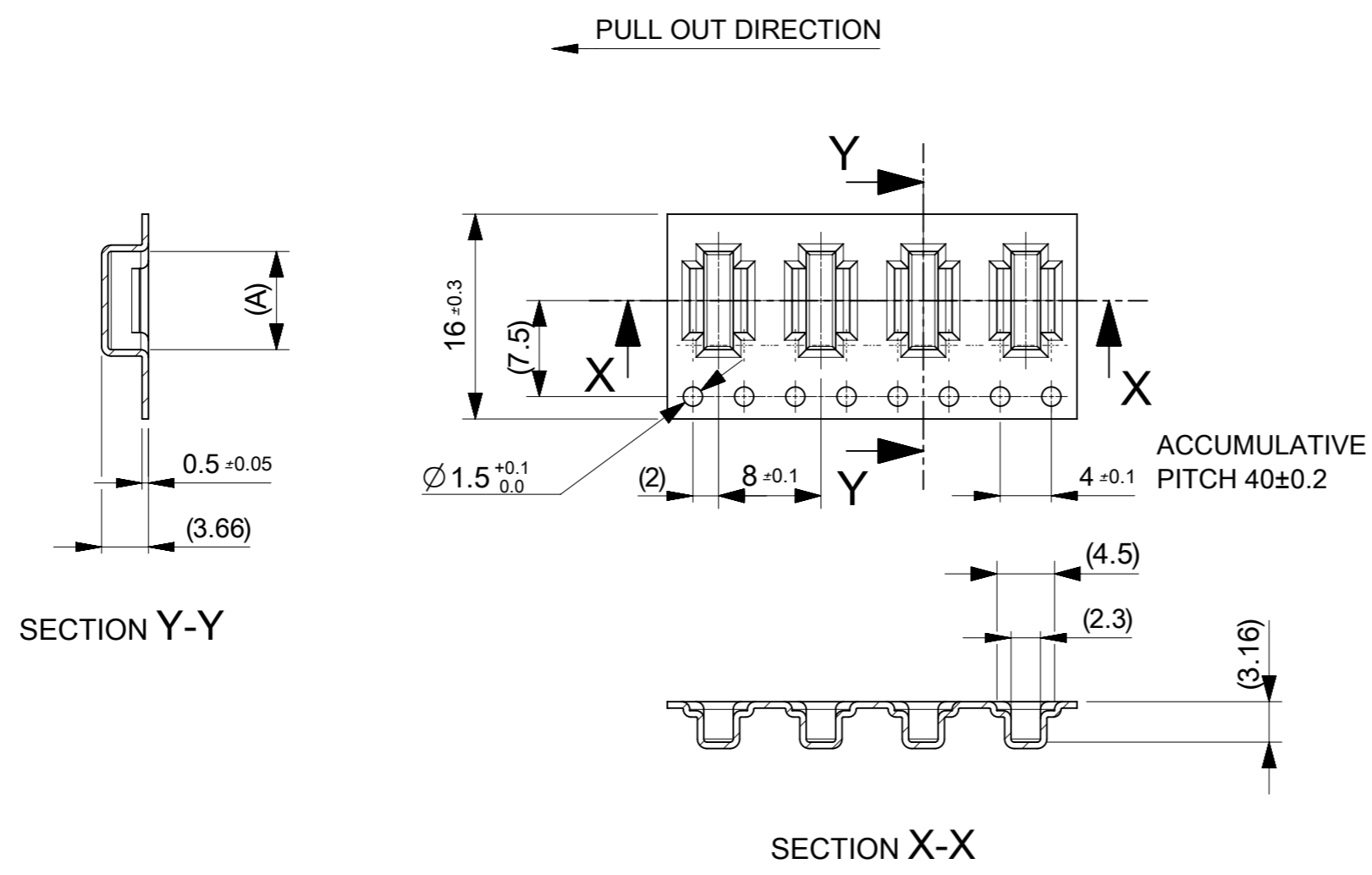
1. RE DETAILED DIMENSION, SEE PRODUCT DRAWING.
2. NUMBER OF CONNECTORS : 3300 PCS/REEL.
3. LEAD TAPE LENGTH.



4. TOP TAPE PEEL FORCE IS DEFINED BY IEC60286-3
5. MATERIAL  
CARRER TAPE :POLYSTYRENE  
TOP TAPE :PET , OTHER  
REEL :POLYSTYRENE(PS)(RECYCLE MATERIAL CONTAINED)
6. ELV AND RoHS COMPLIANT

MODEL NO. 2039550\*\*1

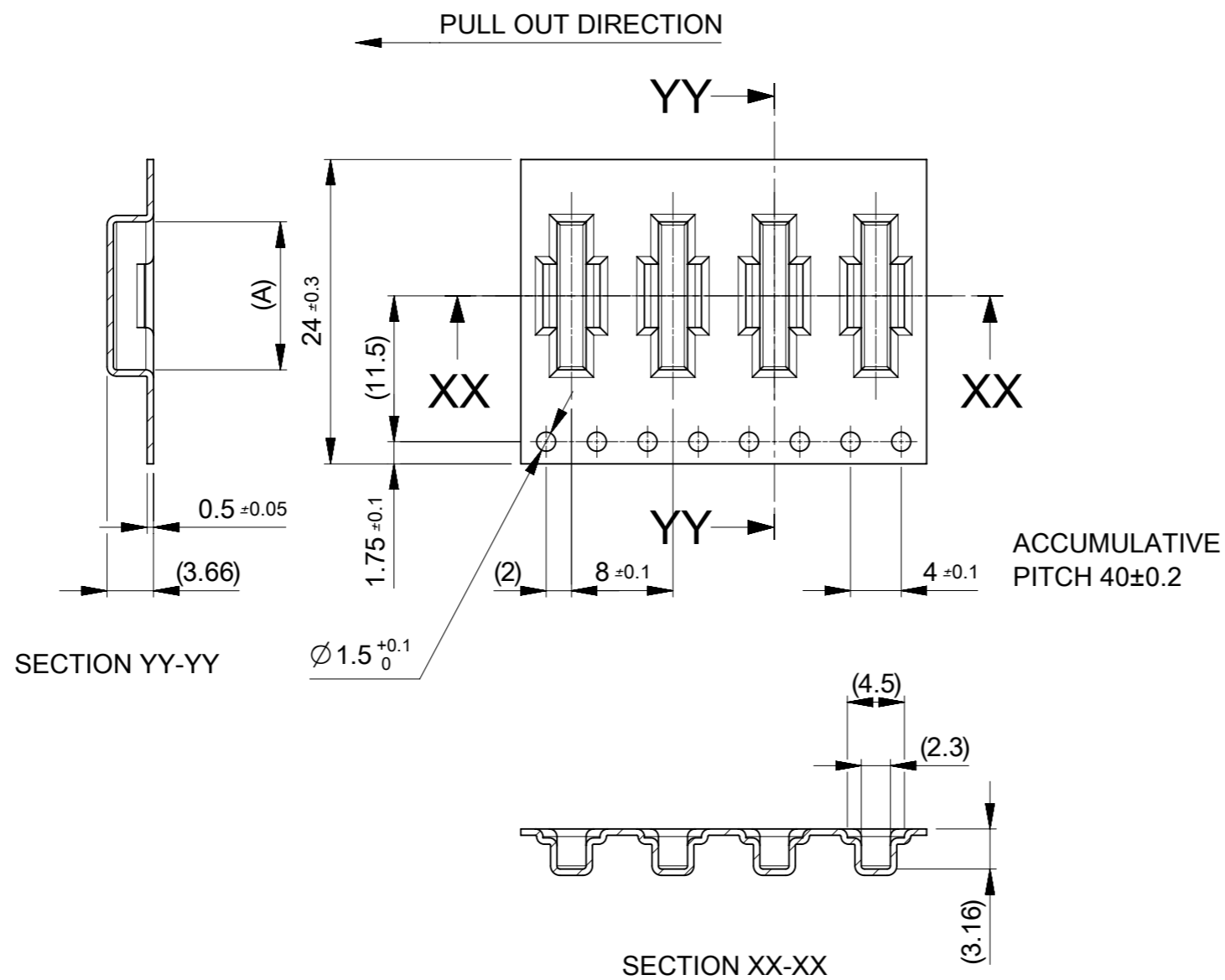
THIS DRAWING CONTAINS INFORMATION THAT IS PROPRIETARY TO MOLEX ELECTRONIC TECHNOLOGIES, LLC AND SHOULD NOT BE USED WITHOUT WRITTEN PERMISSION		CURRENT REV DESC:		<b>molex</b>	
DIMENSION UNITS	SCALE				
mm	1:1			0.4 FLOATING BB REC EMBOSSTP PKG.	
GENERAL TOLERANCES (UNLESS SPECIFIED)		EC NO: 623405		PRODUCT CUSTOMER DRAWING	
ANGULAR TOL	± °	DRWN: JFURUKAWA	2019/09/02	DOCUMENT NUMBER	
4 PLACES	±	CHK'D: YNAITO	2019/09/18	2039550000	
3 PLACES	±	APPR: RTAKEUCHI	2019/09/18	DOC TYPE	DOC PART
2 PLACES	±	INITIAL REVISION:		PSD	001
1 PLACE	±	DRWN: STERUKI	2018/04/27	REVISION	
0 PLACES	±	APPR: TKUSUHARA01	2018/06/22	B	
DRAFT WHERE APPLICABLE MUST REMAIN WITHIN DIMENSIONS		THIRD ANGLE PROJECTION	DRAWING	SERIES	MATERIAL NUMBER
			A3-SIZE	203955	SEE CHART
				CUSTOMER	SHEET NUMBER
				GENERAL	1 OF 3



16	21.4	17.4	7.67	2039550301	○	---	30
			5.67	2039550201	○	---	20
キャリアテープ幅 CARRIER TAPE WIDTH	C	B	(A)	MATERIAL No.	HIGH VOL. TOOL	LOW VOL. TOOL	CIRCUIT
					SAMPLE PREPARATION		

THIS DRAWING CONTAINS INFORMATION THAT IS PROPRIETARY TO MOLEX ELECTRONIC TECHNOLOGIES, LLC AND SHOULD NOT BE USED WITHOUT WRITTEN PERMISSION

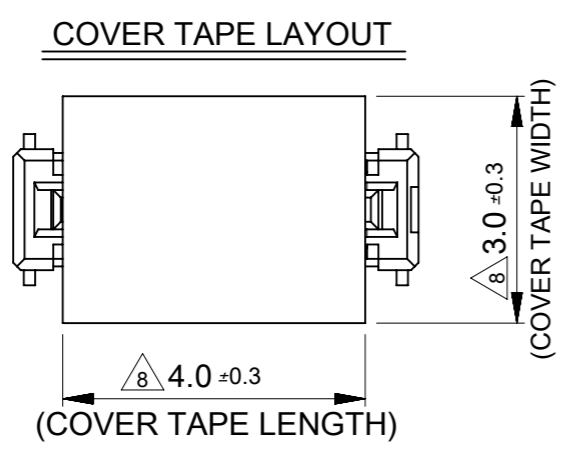
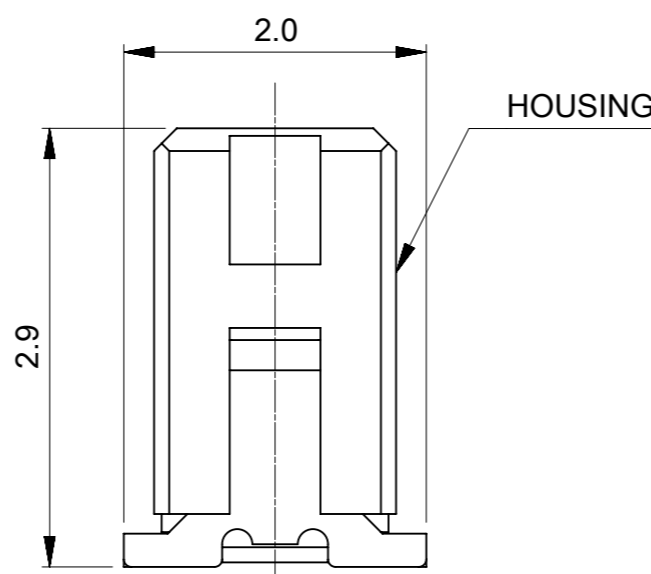
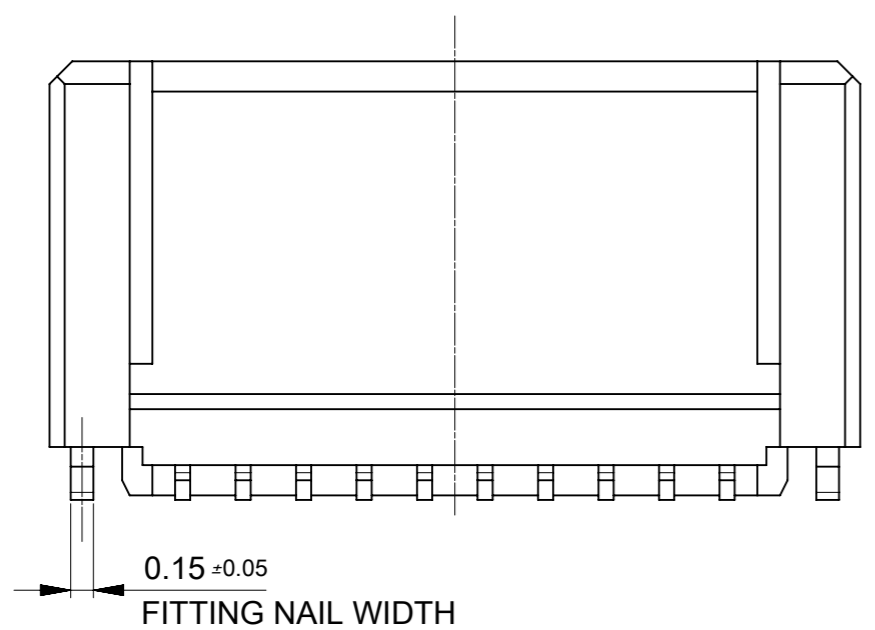
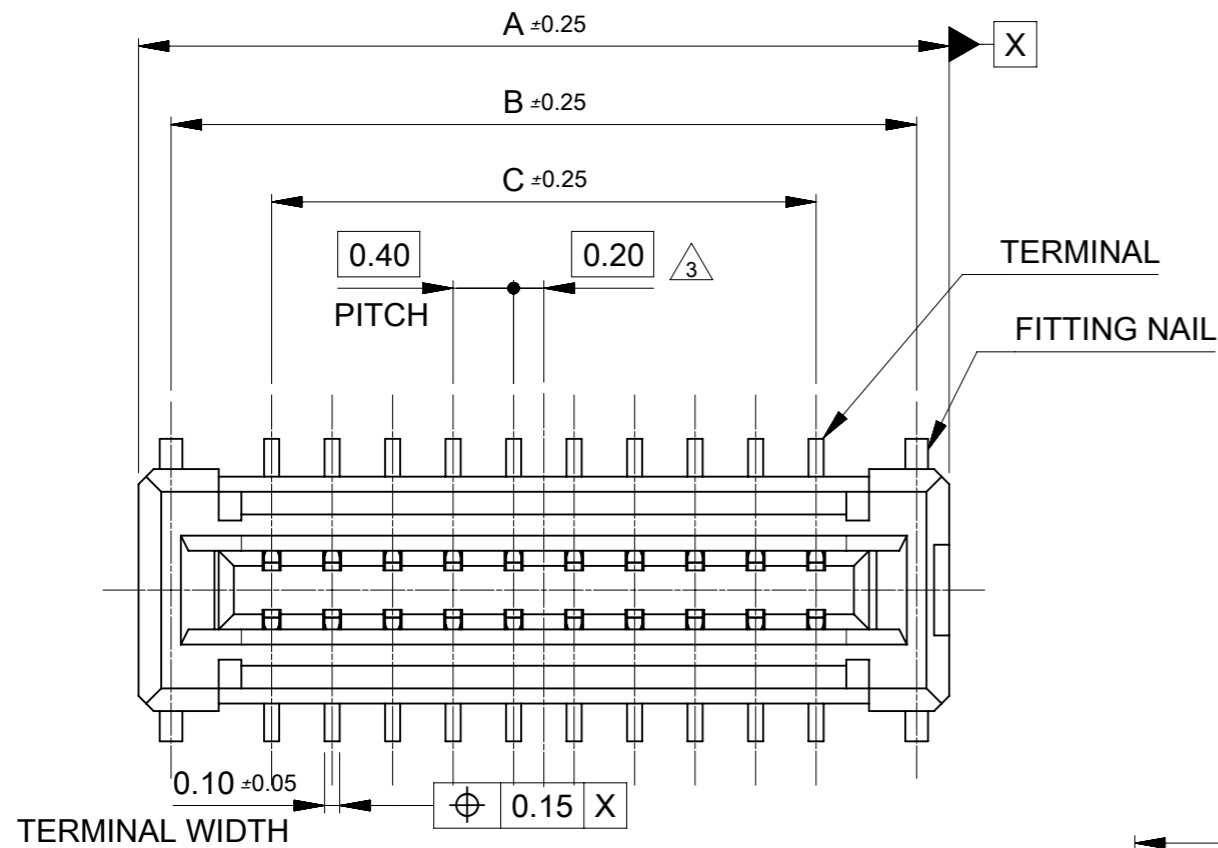
DIMENSION UNITS mm	SCALE 2:1	CURRENT REV DESC:		<b>molex</b>		
GENERAL TOLERANCES (UNLESS SPECIFIED)		EC NO: 623405				
ANGULAR TOL ± °		DRWN: JFURUKAWA 2019/09/02		PRODUCT CUSTOMER DRAWING		
4 PLACES ±		CHK'D: YNAITO 2019/09/18		DOCUMENT NUMBER		
3 PLACES ±		APPR: RTAKEUCHI 2019/09/18		2039550000		DOC TYPE
2 PLACES ±		INITIAL REVISION:		001	REVISION	
1 PLACE ±		DRWN: STERUKI 2018/04/27		B		
0 PLACES ±		APPR: TKUSUHARA01 2018/06/22				
DRAFT WHERE APPLICABLE MUST REMAIN WITHIN DIMENSIONS	THIRD ANGLE PROJECTION	DRAWING	SERIES	MATERIAL NUMBER	CUSTOMER	SHEET NUMBER
		A3-SIZE	203955	SEE CHART	GENERAL	2 OF 3



24	29.4	25.4	13.67	2039550601	○	---	60
			11.67	2039550501	○	---	50
			9.67	2039550401	○	---	40
キャリアテープ幅 CARRIER TAPE 幅 WIDTH	C	B	(A)	MATERIAL No.	HIGH VOL. TOOL	LOW VOL. TOOL	CIRCUIT
					SAMPLE PREPARATION		

THIS DRAWING CONTAINS INFORMATION THAT IS PROPRIETARY TO MOLEX ELECTRONIC TECHNOLOGIES, LLC AND SHOULD NOT BE USED WITHOUT WRITTEN PERMISSION

DIMENSION UNITS mm	SCALE 2:1	CURRENT REV DESC:			<b>molex</b>		
GENERAL TOLERANCES (UNLESS SPECIFIED)		EC NO: 623405					
ANGULAR TOL ± °		DRWN: JFURUKAWA 2019/09/02			PRODUCT CUSTOMER DRAWING		
4 PLACES ±		CHK'D: YNAITO 2019/09/18			DOCUMENT NUMBER		
3 PLACES ±		APPR: RTAKEUCHI 2019/09/18			2039550000		
2 PLACES ±		INITIAL REVISION:			DOC TYPE	DOC PART	REVISION
1 PLACE ±		DRWN: STERUKI 2018/04/27			PSD	001	B
0 PLACES ±		APPR: TKUSUHARA01 2018/06/22			SHEET NUMBER		
DRAFT WHERE APPLICABLE MUST REMAIN WITHIN DIMENSIONS	THIRD ANGLE PROJECTION	DRAWING	SERIES	MATERIAL NUMBER	CUSTOMER	SHEET NUMBER	
		A3-SIZE	203955	SEE CHART	GENERAL	3 OF 3	



- 1 MATERIAL  
 WAFER: LIQUID CRYSTAL POLYMER UL94V-0 (COLOR : BLACK)  
 TERMINAL: COPPER ALLOY  
 FITTING NAIL: COPPER ALLOY  
 COVER TAPE: POLYIMIDE
- 2 PLATING  
 TERMINAL :  
 CONTACT AREA: GOLD PLATING.  
 SOLDER TAIL AREA: GOLD PLATING.  
 UNDERPLATE: NICKEL OVERALL.  
 FITTING NAIL:  
 SURFACE: TIN OVERALL  
 UNDERPLATE: NICKEL OVERALL.
- $\triangle 3$  APPLY FOR (CIRCUIT/2)=EVEN.
- 4 MATE WITH :203956\*\*\*\*
- 5 TAIL COPLANARITY TO BE 0.1 MAXIMUM.
- 6 ELV and RoHS COMPLIANT.
- $\triangle 7$  STACK HEIGHT IS KEPT FIXDLY BY A SPACER.
- $\triangle 8$  ALL CIRCUIT IS COMMON LENGTH.

11.6	12.93	13.36	2039550601	○	---	60
9.6	10.93	11.36	2039550501	○	---	50
7.6	8.93	9.36	2039550401	○	---	40
5.6	6.93	7.36	2039550301	○	$\triangle$	30
3.6	4.93	5.36	2039550201	○	---	20
C	B	A	EMBOSSSED TAPE PACKAGE	HIGH VOL. TOOL	LOW VOL. TOOL	CIRCUIT
			ORDER NO.	SAMPLE PREPARATION ○ : TOOLED $\triangle$ : WORK IN PROCESS ---: TOOLING TO BE CONFIRMED		

CONNECTOR SERIES NO. : 2039551\*\*1

THIS DRAWING CONTAINS INFORMATION THAT IS PROPRIETARY TO MOLEX ELECTRONIC TECHNOLOGIES, LLC AND SHOULD NOT BE USED WITHOUT WRITTEN PERMISSION

CURRENT REV DESC: RELEASED

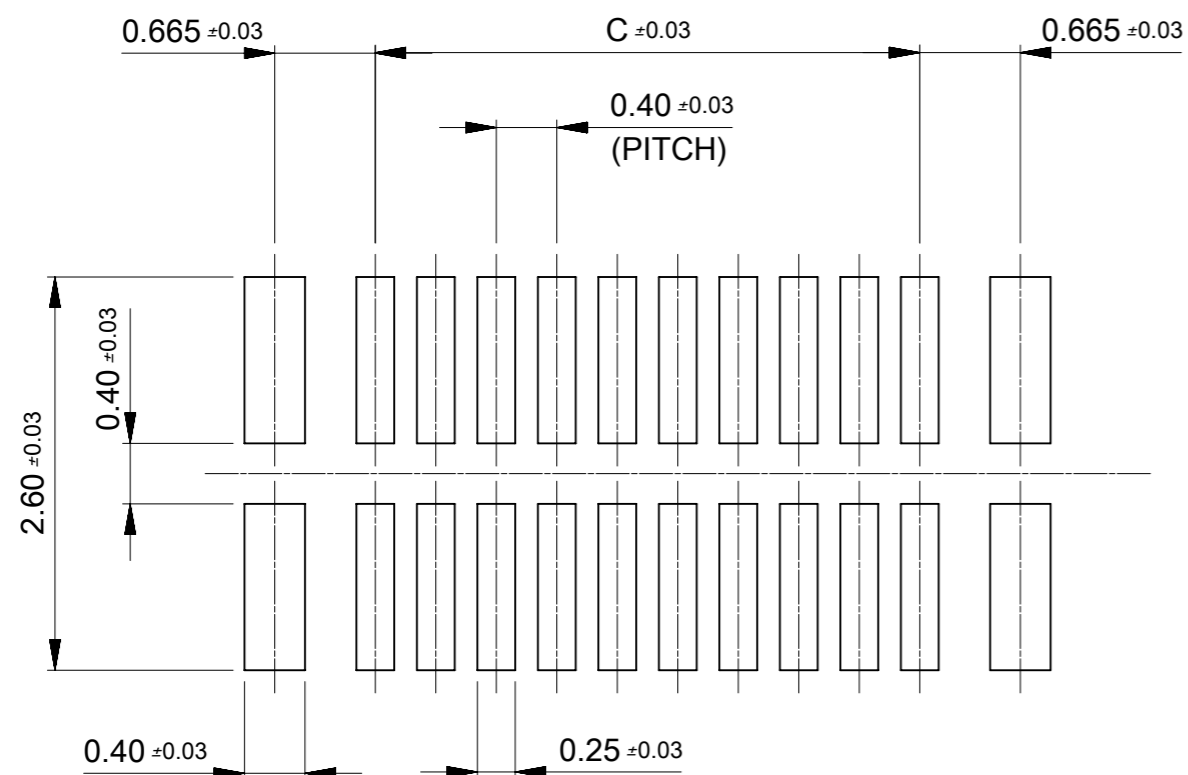
**molex**

0.4 FLOATING BB CONN. H=5 REC ASSY

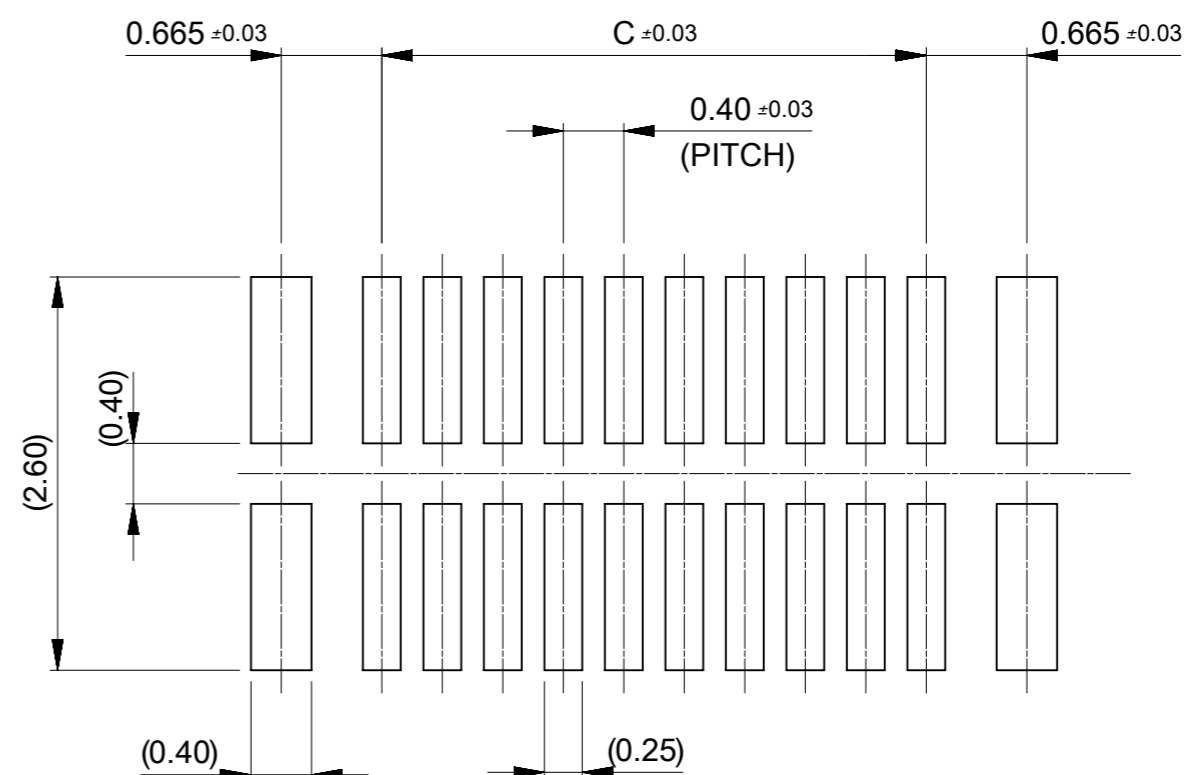
PRODUCT CUSTOMER DRAWING

DOCUMENT NUMBER: 2039551000 | DOC TYPE: PSD | DOC PART: 000 | REVISION: A3

DRAFT WHERE APPLICABLE MUST REMAIN WITHIN DIMENSIONS | THIRD ANGLE PROJECTION | DRAWING: A3-SIZE | SERIES: 203955 | MATERIAL NUMBER: SEE CHART | CUSTOMER: GENERAL | SHEET NUMBER: 1 OF 2

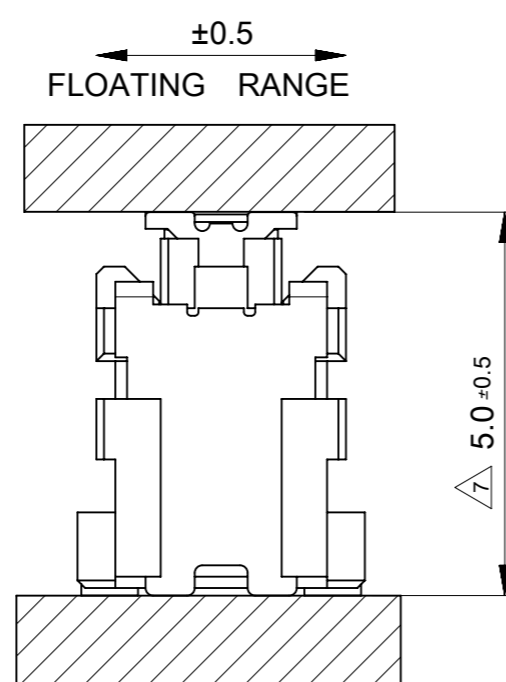
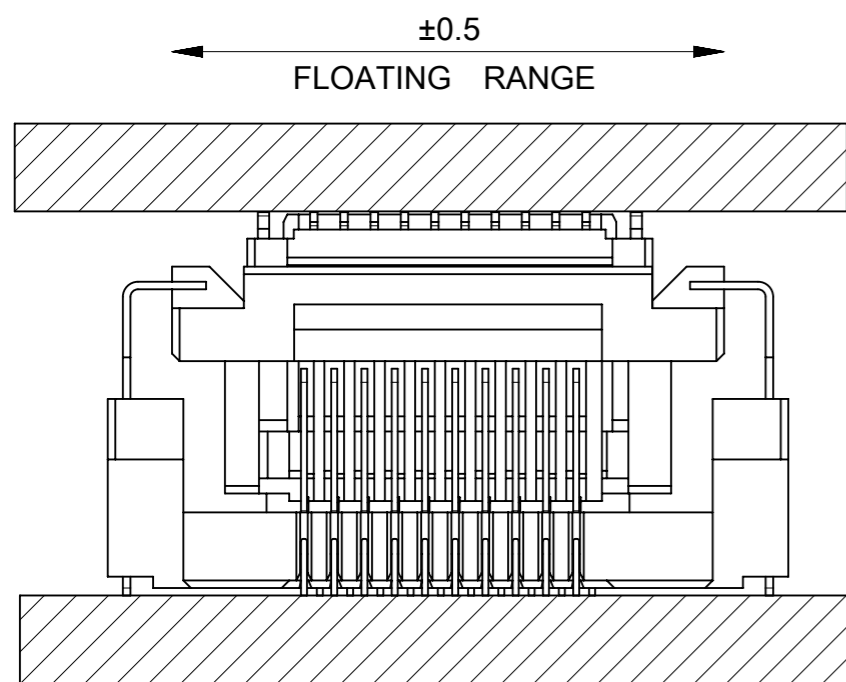


RECOMMENDED P.W.BOARD PATTERN LAYOUT(REFERENCE)



RECOMMENDED METAL MASK LAYOUT(REFERENCE)

RECOMMENDED THICKNESS OF METAL MASK : t=0.1mm  
 RECOMMENDED OPEN APERTURE RATIO OF METAL MASK : 100%



THIS DRAWING CONTAINS INFORMATION THAT IS PROPRIETARY TO MOLEX ELECTRONIC TECHNOLOGIES, LLC AND SHOULD NOT BE USED WITHOUT WRITTEN PERMISSION									
DIMENSION UNITS		SCALE		CURRENT REV DESC: RELEASED				<b>molex</b>	
mm		20:1							
GENERAL TOLERANCES (UNLESS SPECIFIED)				EC NO: 613911				0.4 FLOATING BB CONN. H=5 REC ASSY	
ANGULAR TOL ± 1.0 °				DRWN: STERUKI		2019/03/18			
4 PLACES ± 0.2				CHK'D: KSASAKI		2019/03/18			
3 PLACES ± 0.2				APPR: TKUSUHARA01		2019/03/18		PRODUCT CUSTOMER DRAWING	
2 PLACES ± 0.2				INITIAL REVISION:				DOCUMENT NUMBER	
1 PLACE ± 0.2				DRWN: STERUKI		2018/06/14		2039551000	
0 PLACES ± 0.2				APPR: TKUSUHARA01		2018/06/22		PSD 000 A3	
DRAFT WHERE APPLICABLE MUST REMAIN WITHIN DIMENSIONS		THIRD ANGLE PROJECTION		DRAWING		SERIES		MATERIAL NUMBER	
				A3-SIZE		203955		SEE CHART	
						CUSTOMER		GENERAL	
								SHEET NUMBER	
								2 OF 2	