

**VS-A-F-IP67**

Order No.: 1653744

<http://eshop.phoenixcontact.de/phoenix/treeViewClick.do?UID=1653744>

Panel mounting frame, IP67, for Freenet system, for round panel cutout, with grommet, without mounting screws, color: gray

**Commercial data**

EAN	4017918970123
Pack	5 pcs.
Customs tariff	85389099
Weight/Piece	0.00644 KG
Catalog page information	Page 195 (PC-2009)

**Product notes**

WEEE/RoHS-compliant since:  
04/26/2006



<http://www.download.phoenixcontact.com>  
Please note that the data given here has been taken from the online catalog. For comprehensive information and data, please refer to the user documentation. The General Terms and Conditions of Use apply to Internet downloads.

**Technical data****Mechanical characteristics**

Number of slots	1
Insertion/withdrawal cycles	≥ 1000
Color	gray
Ambient temperature (operation)	-40 °C ... 80 °C

**Material data**

Inflammability class acc. to UL 94	V0
Housing material	PA
Material	Plastic
Sealing material	NBR
Seal material	NBR
Degree of protection	IP67

**Electrical characteristics**

Pollution degree	2
------------------	---

**Accessories**

Item	Designation	Description
<b>Female insert</b>		
1653838	VS-04-BUA-BUB-F/IP67	USB socket insert, 4-pos., socket USB type A on socket USB type B, for the Freenet system in the panel mounting frame, IP20 terminal outlet, 19" patch panel and service interface, pluggable from both directions
1653854	VS-04-BUA-FK-F/IP67	USB socket insert, 4-pos., socket USB type A on flat-ribbon cable terminal strip, pitch 2.54, for the Freenet system in the panel mounting frame, IP20 terminal outlet, 19" patch panel and service interface
1653867	VS-04-BUB-FK-F/IP67	USB socket insert, 4-pos., socket USB type B on flat-ribbon cable terminal strip, pitch 2.54, for the Freenet system in the panel mounting frame, IP20 terminal outlet, 19" patch panel and service interface
1654329	VS-06-BU-BU-F/IP67	FireWire socket insert, 6-pos., socket on socket, for the Freenet system in the panel mounting frame, IP20 terminal outlet, 19" patch panel and service interface
1654332	VS-06-BU-FK-F/IP67	FireWire socket insert, 6-pos., socket on flat-ribbon cable terminal strip, for the Freenet system in the panel mounting frame, IP20 terminal outlet, 19" patch panel and service interface, pitch: 2.54 mm
1652936	VS-08-BU-RJ45-5-F/PK	RJ45 socket insert, for the Freenet system, CAT5e, 8-pos., shielded, with cable connection (IDC fast connection), for solid wires AWG 24 ... 22
1652949	VS-08-BU-RJ45-6-F/PK	RJ45 socket insert, for the Freenet system, CAT6, 8-pos., shielded, with cable connection (IDC fast connection), for litz and solid wires AWG 24 ... 22
1652978	VS-SCRJ-GOF-BU/BU	SCRJ socket insert, duplex, for VS-A-F-IP67 panel mounting frame, can be used for glass, multi-mode, HCS and polymer fibers

**Marking**

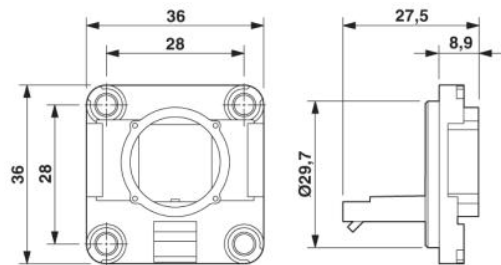
0814775	VS-ZBFM-8-SET	Marker label set, consisting of 4 sheets (white, blue, yellow, orange) each with 50 labels for color marking of sleeve housings and panel mounting frames with IP67 protection
---------	---------------	--------------------------------------------------------------------------------------------------------------------------------------------------------------------------------

**Protective covers**

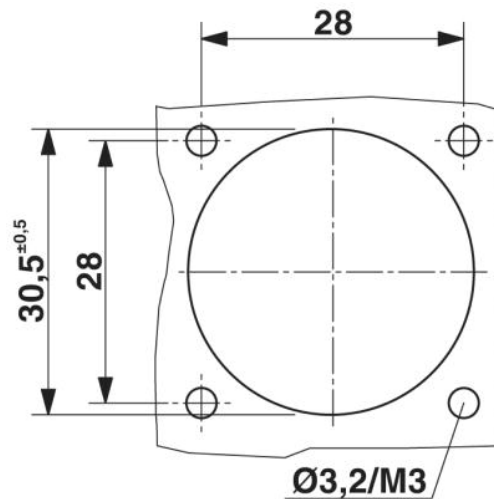
1689200	VS-08-SD	Protective cover, IP67, tall design
1652606	VS-08-SD-F	Protective cover, IP67, flat design, to cover the contact insert in the panel mounting frame, color: gray

**Diagrams/Drawings**

Dimensioned drawing



Panel mounting frame for Freenet system



Panel cutout

VS-A-F-IP67 Order No.: 1653744

<http://eshop.phoenixcontact.de/phoenix/treeViewClick.do?UID=1653744>

---

**Address**

PHOENIX CONTACT Inc., USA  
586 Fulling Mill Road  
Middletown, PA 17057, USA  
Phone (800) 888-7388  
Fax (717) 944-1625  
<http://www.phoenixcon.com>



© 2010 Phoenix Contact  
Technical modifications reserved;