

5

4

3

2

1

G

G

F

F

E

E

D

D

C

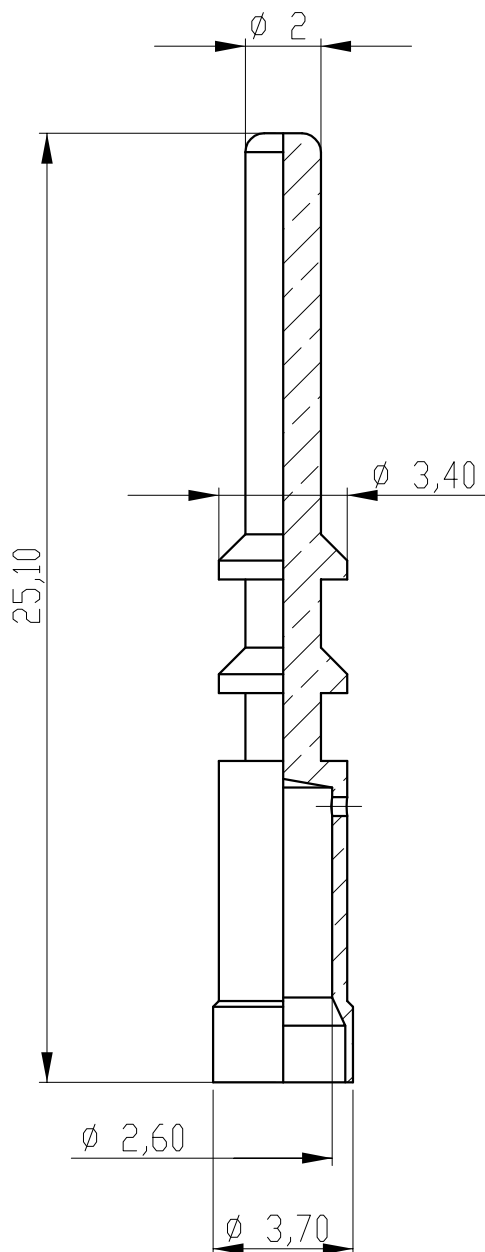
C

B

B

A

A



Notes:

Packaging units: 25 pcs

Tolerances (unless specified): DIN ISO 2768 m

Bemerkungen:

Verpackungseinheit: 25 Stück

Toleranzen (sofern nichts anderes angegeben ist):
DIN ISO 2768 m

DESCRIPTION EC NO: WEU2008-0019 DRWN: BBRAUCH 2008/05/15 CHKD: LS 2008/05/26 APPR: REISSNER 2008/05/27	QUALITY SYMBOLS ▽ = 0 ▽ = 0	GENERAL TOLERANCES (UNLESS SPECIFIED)		DIMENSION STYLE MM		SCALE 5:1	DESIGN UNITS METRIC	FIRST ANGLE PROJECTION	
			mm	INCH	DRAWN BY BB	DATE 2008/05/15	M23 PWR CONT2.0 MALE 2.5 - 4.0 P/N: KCP06-20		
		4 PLACES	±----	±----	CHECKED BY	DATE			
		3 PLACES	±----	±----	---	---	MOLEX INCORPORATED 		
		2 PLACES	±----	±----	APPROVED BY	DATE			
1 PLACE	±----	±----	RE	2008/05/26	MATERIAL NO. 1202350022	DOCUMENT NO. SD-120235-022	SHEET NO. 1 OF 1		
DRAFT WHERE APPLICABLE MUST REMAIN WITHIN DIMENSIONS		ANGULAR ± --- °		SIZE A4	THIS DRAWING CONTAINS INFORMATION THAT IS PROPRIETARY TO MOLEX INCORPORATED AND SHOULD NOT BE USED WITHOUT WRITTEN PERMISSION				

5

4

3

2

1