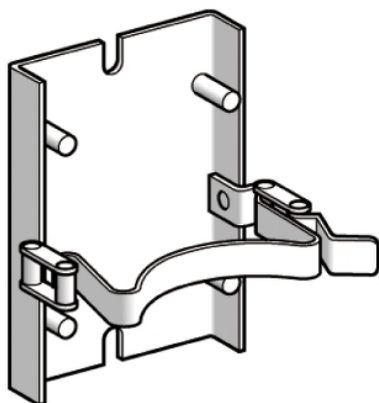


# XCRZ09

Limit switches XC Standard, quick fixing release bracket, quick fixing release bracket, for XCRA,B, E, F



## Main

Range of Product	OsiSense XC
Series name	Special format
Accessory / separate part designation	Quick fixing release bracket
Accessory / separate part destination	XCRA XCRA XCRE XCRF
Accessory / separate part category	Fixing accessories

## Complementary

Net Weight	1.15 lb(US) (0.52 kg)
------------	-----------------------

## Ordering and shipping details

Category	22449-LIMIT SWITCHES,ACCESSORIES
Discount Schedule	T
GTIN	3389110606140
Nbr. of units in pkg.	1
Package weight(Lbs)	19.05 oz (540.0 g)
Returnability	No
Country of origin	FR

## Packing Units

Unit Type of Package 1	PCE
Package 1 Height	4.92 in (12.5 cm)
Package 1 width	2.76 in (7 cm)
Package 1 Length	5.51 in (14 cm)

## Offer Sustainability

California proposition 65	WARNING: This product can expose you to chemicals including: Diisononyl phthalate (DINP), which is known to the State of California to cause cancer, and Di-isodecyl phthalate (DIDP), which is known to the State of California to cause birth defects or other reproductive harm. For more information go to <a href="http://www.P65Warnings.ca.gov">www.P65Warnings.ca.gov</a>
REACH Regulation	<a href="#">REACH Declaration</a>
EU RoHS Directive	Not applicable, out of EU RoHS legal scope
Environmental Disclosure	<a href="#">Product Environmental Profile</a>

## Contractual warranty

Warranty	18 months
----------	-----------