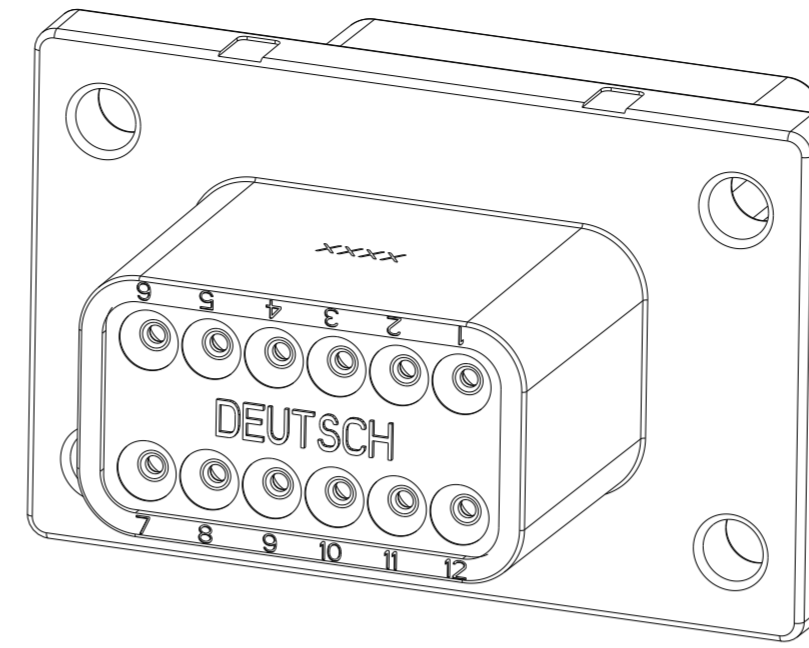
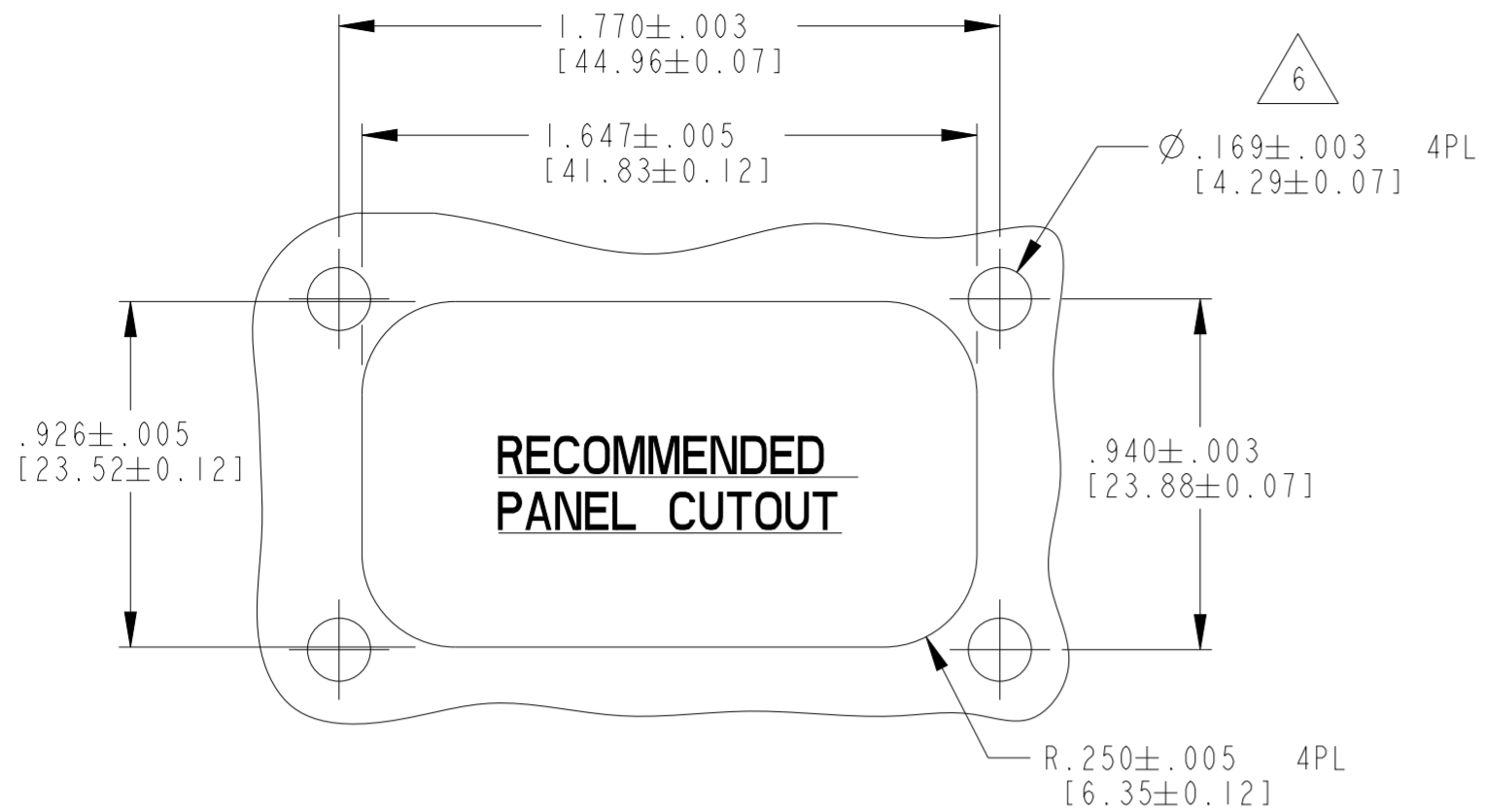
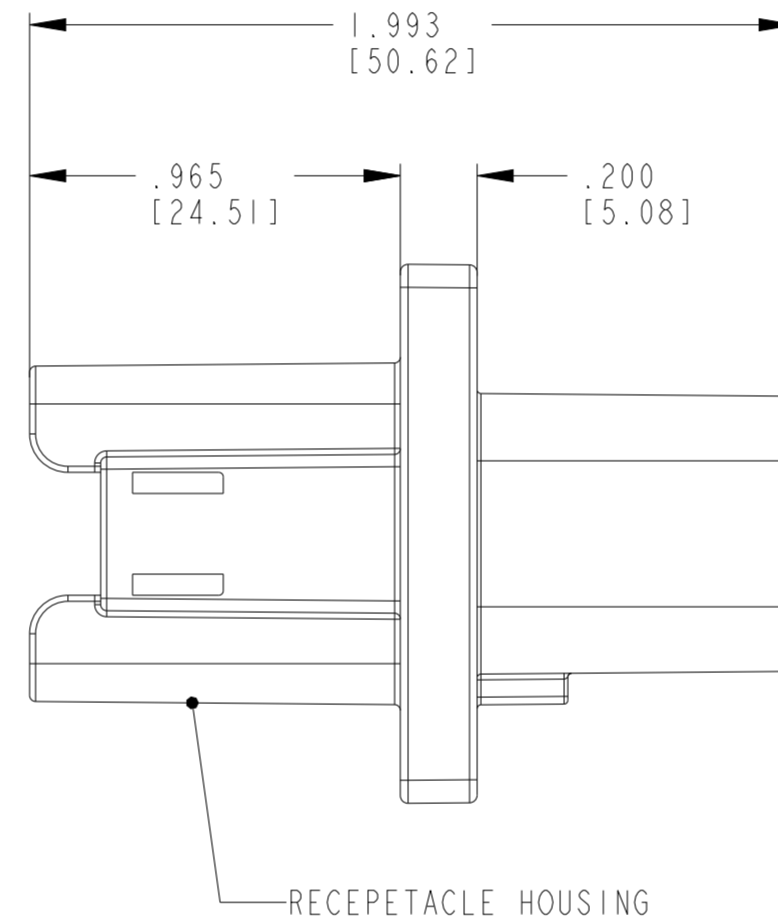


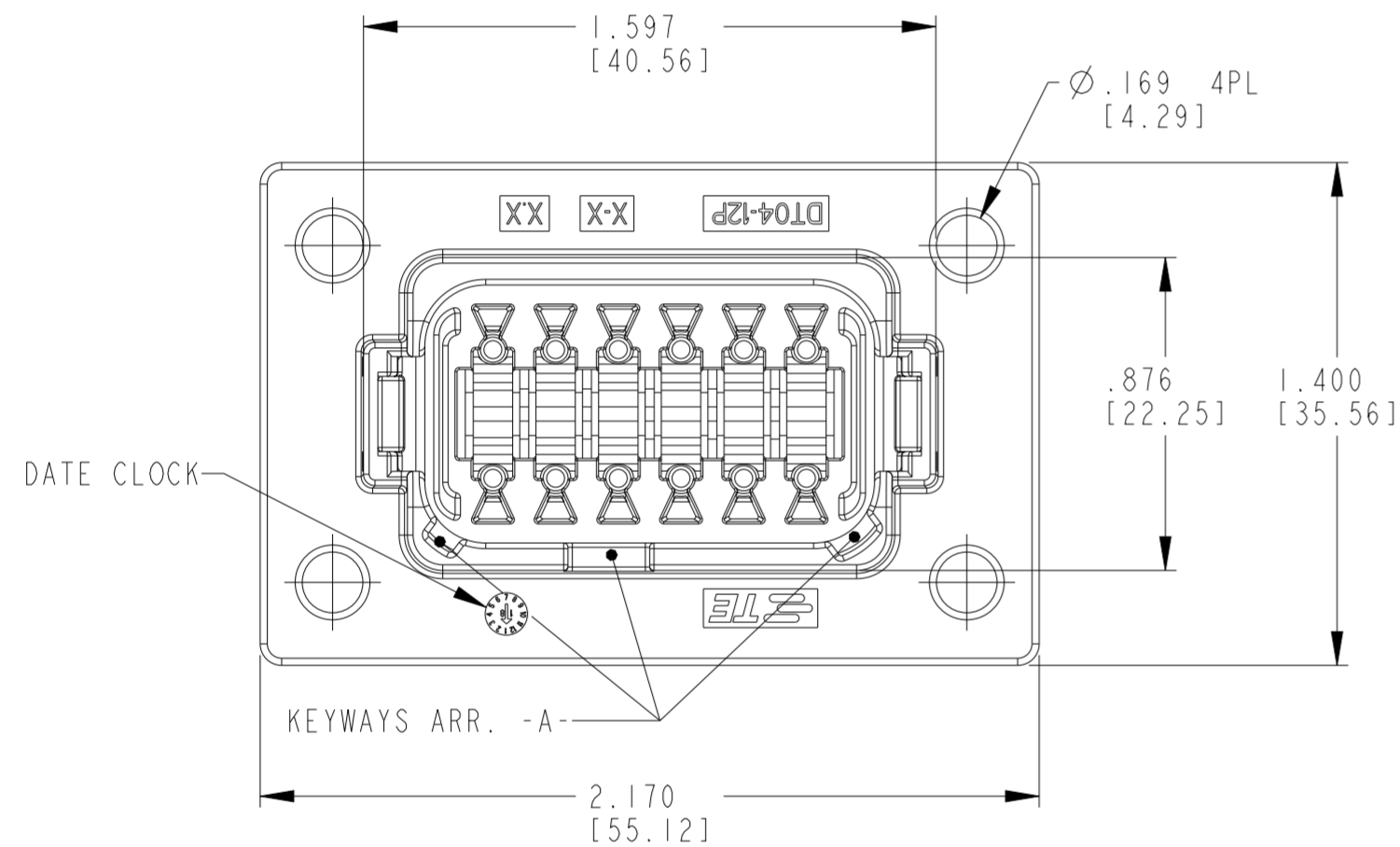
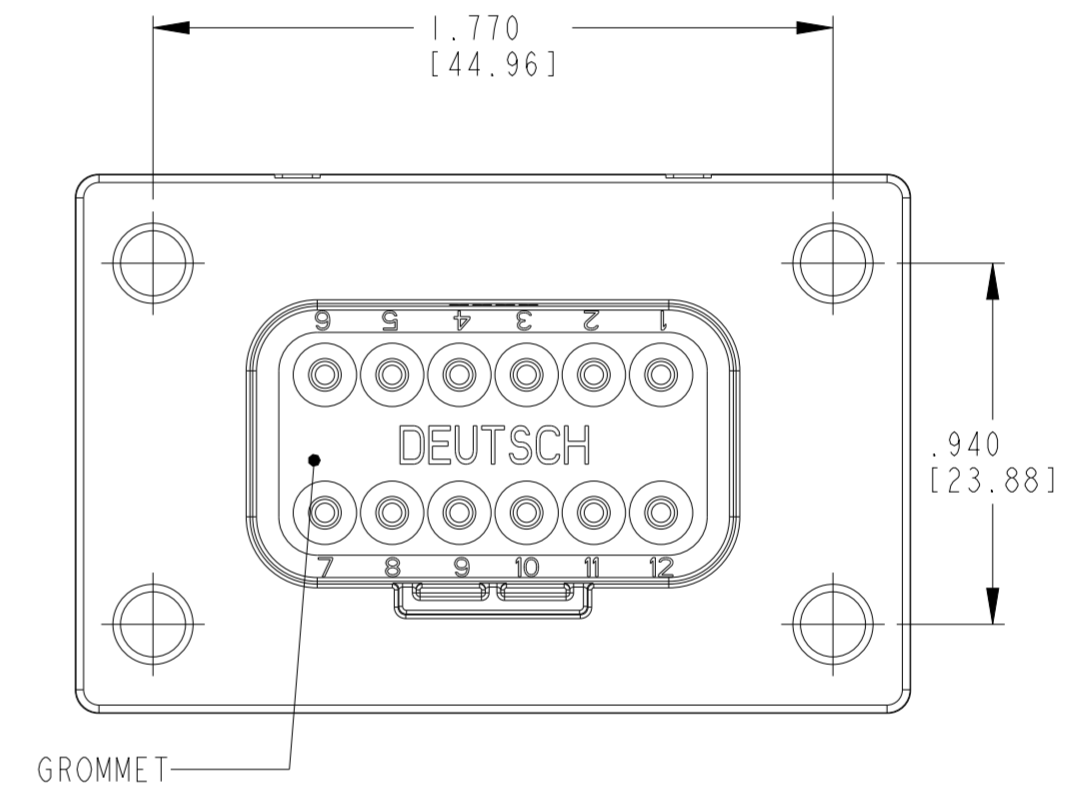
P	LTR	DESCRIPTION	DATE	DWN	APVD
	NC	NEW RELEASE PER E.O. P18336	10OCT2003	-	RDR
	A	REVISED PER E.O. P20438	18MAY2005	-	RDR
	B	REVISED PER PCN E-20-009825	29JUN2020	PMV	IG



3-DIMENSIONAL VIEW



RECEPTACLE HOUSING



7. SECONDARY WEDGE LOCK SOLD SEPARATELY: W12P-XXXX.
(XXXX = ALL MODIFICATIONS)

6. RECOMMENDED SCREW: 6-32 [M4].
RECOMMENDED TORQUE: 20-25 IN-LB [2.26-2.82 Nm].

5. MATERIAL - HOUSING: PA66 GF15
GROMMET: VMQ (ORANGE RED)

4. THIS RECEPTACLE MATES WITH DT06-12SA-XXXX PLUG.
(A KEY; XXXX = ALL MODIFICATIONS)
CONSULT FACTORY FOR MODIFICATIONS.

3. FOR CONTACT AND WIRE PERFORMANCE AND APPLICATION CHARACTERISTICS, SEE ENVELOPE DRAWING 0425-015-0000.

2. DELETED

NOTES: 1. DELETED

CONTACT SIZE	MIN. INSUL. O.D.	MAX. INSUL. O.D.	WIRE RANGE [mm ²] ³
16	.088 [2.23]	.145 [3.68]	14-20 AWG [2.0-0.5]

THIS DRAWING IS A CONTROLLED DOCUMENT.		DWN T YOHANNES 29SEP2003	STE TE Connectivity	
DIMENSIONS: INCHES [mm]		CHK R McCORD 04MAY2010		
TOLERANCES UNLESS OTHERWISE SPECIFIED:		APVD S BEARD 04MAY2010	NAME 12 WAY RECEPTACLE WITH ENHANCED KEY AND FLANGE-BL08 MOD. KEY ARR. -A- COLOR: BLACK DT SERIES	
0 PLC ±		PRODUCT SPEC 108-151009	SIZE A2	
1 PLC ±		APPLICATION SPEC 114-151009	CAGE CODE 00779	DRAWING NO DT04-12PA-BL08
2 PLC ±		WEIGHT -	RESTRICTED TO -	
3 PLC ±.025 [0.64]		CUSTOMER DRAWING	SCALE 2:1	SHEET 1 OF 1
4 PLC ±			REV B	
ANGLES ±0° 30' 0"				
FINISH				