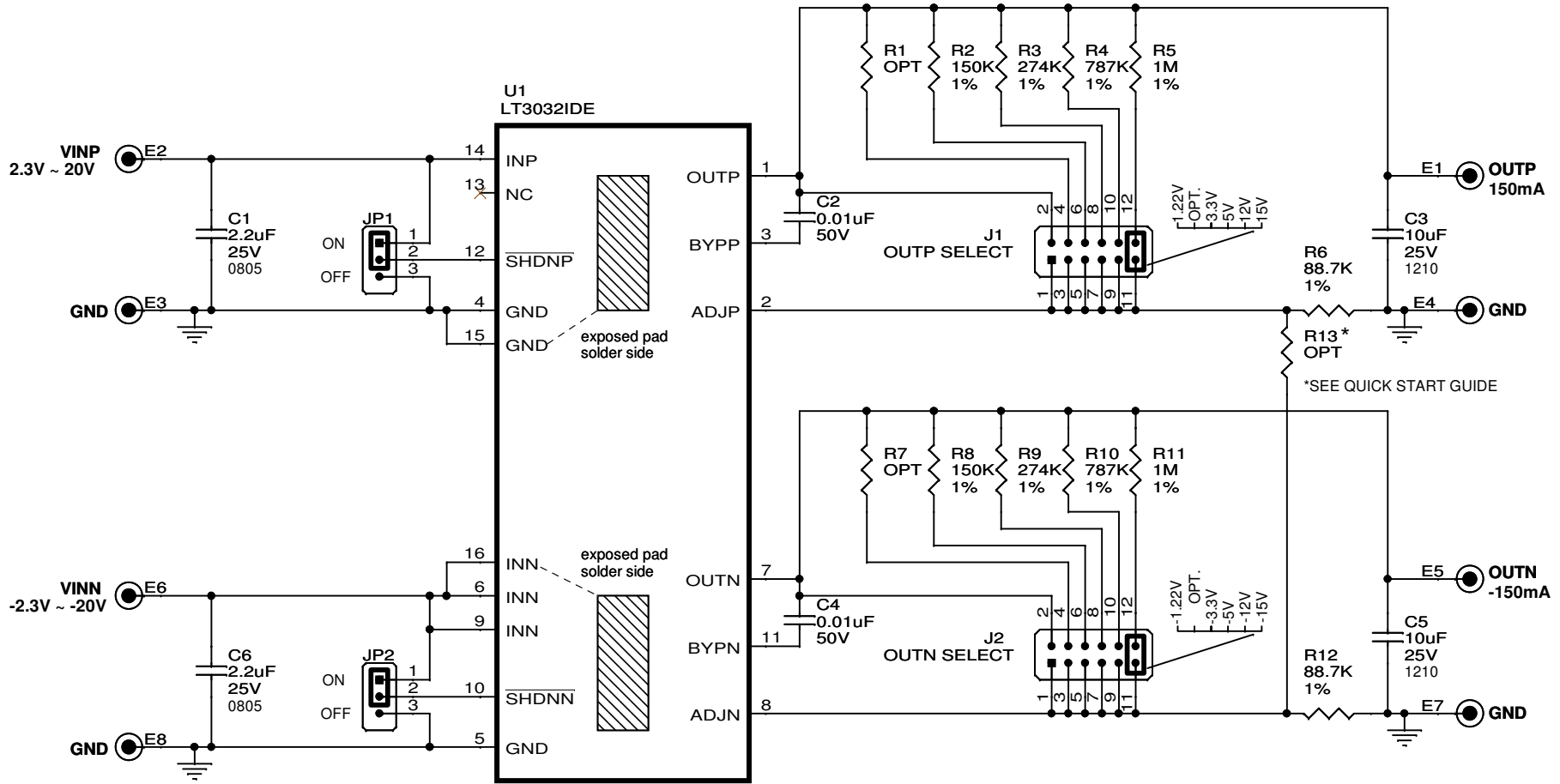


REVISION HISTORY				
ECO	REV	DESCRIPTION	APPROVED	DATE
	1	PRODUCTION	M. ZHU	12-14-09



CUSTOMER NOTICE

LINEAR TECHNOLOGY HAS MADE A BEST EFFORT TO DESIGN A CIRCUIT THAT MEETS CUSTOMER-SUPPLIED SPECIFICATIONS; HOWEVER, IT REMAINS THE CUSTOMER'S RESPONSIBILITY TO VERIFY PROPER AND RELIABLE OPERATION IN THE ACTUAL APPLICATION. COMPONENT SUBSTITUTION AND PRINTED CIRCUIT BOARD LAYOUT MAY SIGNIFICANTLY AFFECT CIRCUIT PERFORMANCE OR RELIABILITY. CONTACT LINEAR TECHNOLOGY APPLICATIONS ENGINEERING FOR ASSISTANCE.

THIS CIRCUIT IS PROPRIETARY TO LINEAR TECHNOLOGY AND SUPPLIED FOR USE WITH LINEAR TECHNOLOGY PARTS.

CONTRACT NO.

APPROVALS

PCB DES. K. LAC

ENG. M. ZHU

1630 McCarthy Blvd.
Milpitas, CA 95035
Phone: (408)432-1900
Fax: (408)434-0507
LTC Confidential-For Customer Use Only

TITLE: SCHEMATIC

DUAL 150mA POSITIVE / NEGATIVE LOW NOISE
LOW DROPOUT LINEAR REGULATOR

SIZE	IC NO.	REV
A	LT3032IDE DEMO CIRCUIT 1622A	1

DATE: Friday, September 28, 2012

SHEET 1 OF 2