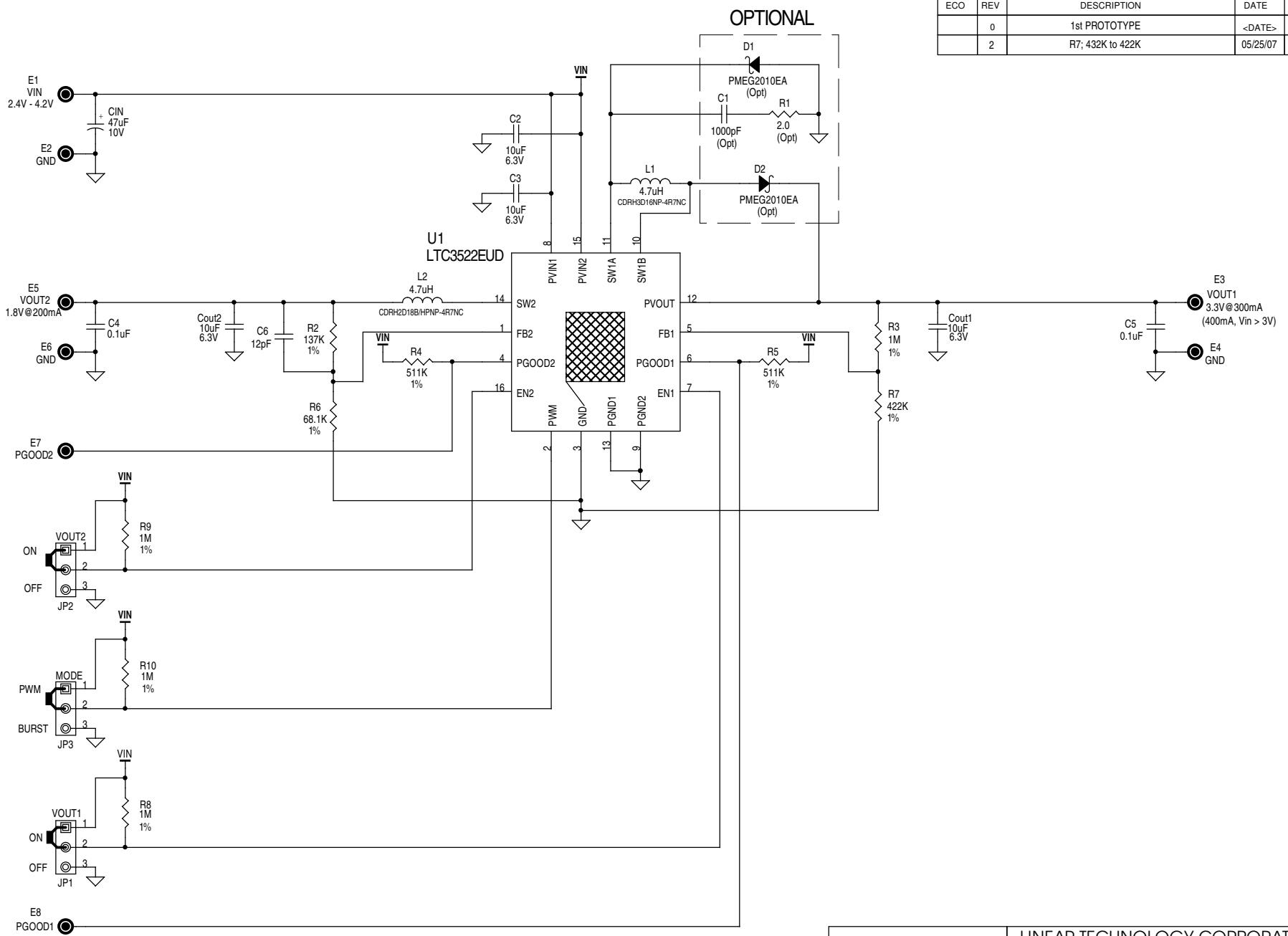


REVISION HISTORY				
ECO	REV	DESCRIPTION	DATE	APPROVED
	0	1st PROTOTYPE	<DATE>	<APPROVED>
	2	R7; 432K to 422K	05/25/07	David Canny



OPTIONAL

This circuit is proprietary to Linear Technology and supplied for use with Linear Technology parts.
Customer Notice: Linear Technology has made a best effort to design a circuit that meets customer-supplied specifications; however, it remains the customers responsibility to verify proper and reliable operation in the actual application. Component substitution and printed circuit board layout may significantly affect circuit performance or reliability. Contact Linear Applications Engineering for assistance.

APPROVALS		LINEAR TECHNOLOGY CORPORATION	
		1630 McCARTHY BLVD MILPITAS, CA. 95035 (408)432-1900 (408)434-0507 (FAX)	
DRAWN: <i>Rudy Bautista</i>		www.linear.com LTC Confidential - For Customer Use Only	
ENGINEER: David Canny		Title Dual Buck-Boost / Buck Synchronous Converters	
APPROVED:		SD Document Number Demo Circuit 1177A	
CHECKED:		Rev 2	
Date: <i>Monday, July 16, 2007</i>		C:\ORCAD\WINCAPTURE\1177A\1177A_REV2.DSN	
		Sheet 1 of 1	