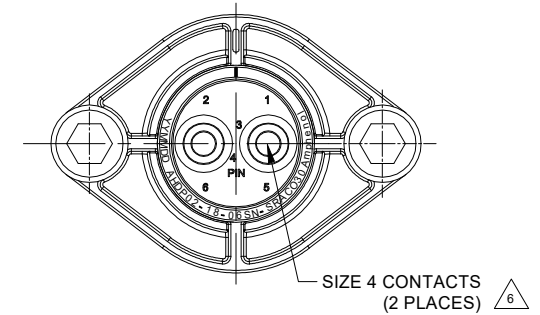
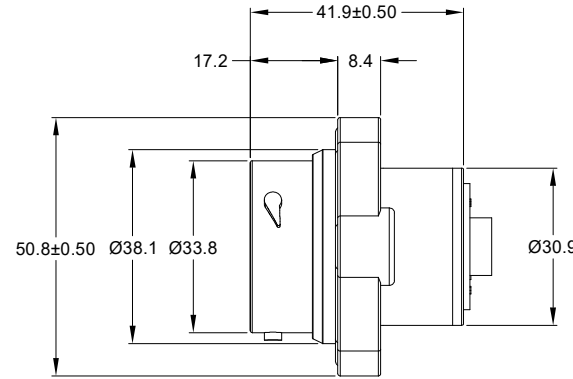
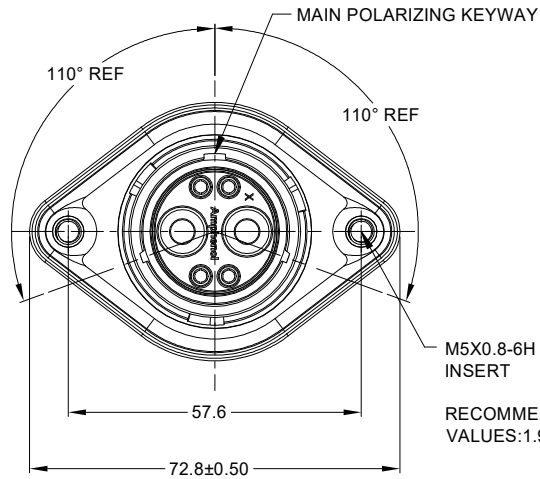


| REVISIONS | | | | | |
|-----------|-----|---------------------|---------|------|-------|
| REV | ECO | DESCRIPTION | DATE | BY | APPR |
| A1 | - | RELEASE NEW DRAWING | 15JUL20 | VITO | TOMMY |



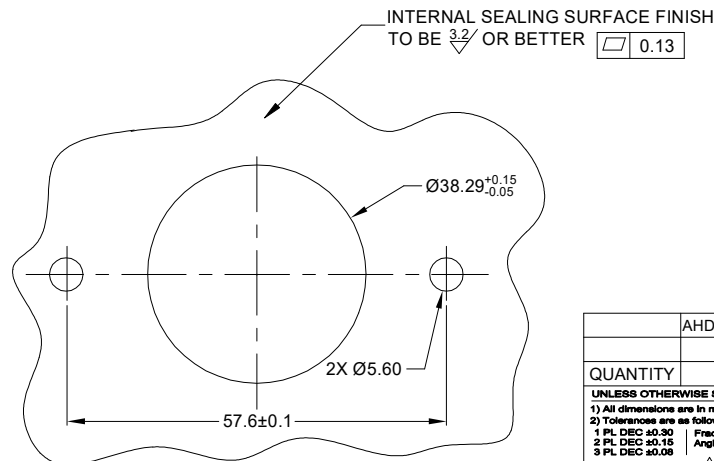
M5X0.8-6H 8mm(2X) DEEP THREADED INSERT
 RECOMMENDED TORQUE VALUES: 1.9-2.2 N.m

NOTES: UNLESS OTHERWISE SPECIFIED

- MATERIAL:
 HOUSING: THERMOPLASTIC; BLACK
 SEAL: SILICONE RUBBER
 THREADED INSERT: STAINLESS STEEL
- MODIFICATIONS: SMOOTH RING ADAPTER(SRA);
 STANDARD DIA, WIRE SEAL;
 SEALED PANEL MOUNT;
- SPECIFICATIONS:
 3.1 OPERATING TEMPERATURE: -55°C TO +125°C.
 3.2 DIELECTRIC WITHSTANDING VOLTAGE: LESS THAN 2 MILLIAMPS CURRENT LEAKAGE @ 1500 VOLTS AC.
 3.3 INSULATION RESISTANCE: 1000 MEGOHM MIN @ 25°C.
 3.4 MOISTURE RESISTANCE: IP67&IP69K (MATED CONDITION).
 3.5 MATING CYCLE DURABILITY: 100 CYCLES
 3.6 RoHS COMPLIANT
- MATING PART: AHDP06-18-06P* (* = SEAL TYPE) (C030 OPTION)
- ALL DIMENSIONS ARE FOR REFERENCE USE ONLY.

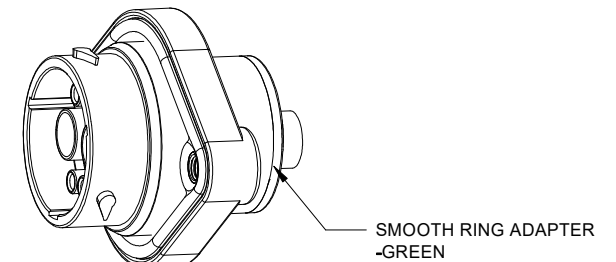
6 CONTACT SIZE AND WIRE RANGE:

| CONTACT SIZE | MIN. INSUL O.D. | MAX. INSUL O.D. | TYPICAL WIRE RANGE | CURRENT RATING |
|--------------|------------------|------------------|-------------------------------|----------------|
| 4 | 6.63 mm (.261in) | 7.41mm (.292 in) | 6 AWG (16-13mm ²) | 100 AMPS |



RECOMMENDED PANEL MOUNTING HOLE

RECOMMENDED PANEL THICKNESS: 1.6 TO 4.7MM



| AHDP02-18-06SN-SRAC030 | | DESCRIPTION | | ITEM |
|--------------------------------------|-------------|--|--|--------------|
| QUANTITY | PART NUMBER | MATERIALS LIST | | |
| UNLESS OTHERWISE SPECIFIED | | | | |
| 1) All dimensions are in metric(mm). | | | | |
| 2) Tolerances are as follows: | | | | |
| 1 PL DEC ±0.30 Fractions ±1/64 | | | | |
| 2 PL DEC ±0.15 Angles ±1° | | | | |
| 3 PL DEC ±0.08 | | | | |
| 3) Note reference = | | | | |
| SIGNATURES | | DATE | | |
| DRAWN: VITOLJ | | 15JUL20 | | |
| CHECKED: ORIONLI | | 17JUL20 | | |
| ENGINEER: | | | | |
| APPROVAL: TOMMY.XIE | | 20JUL20 | | |
| MATERIAL SPECIFICATIONS: | | CUSTOMER: | | |
| PROCESS SPECIFICATIONS: | | THIS DRAWING IS SUPPLIED FOR INFORMATION ONLY. DESIGN FEATURES, SPECIFICATIONS AND PERFORMANCE DATA SHOWN HEREON ARE THE PROPERTY OF THE AMPHENOL CORPORATION. NO RIGHTS OF REPRODUCTION ARE IMPLIED. ALL DIMENSIONS ARE SUBJECT TO NORMAL MANUFACTURING VARIATIONS. | | |
| NEXT ASSY: | | SCALE: NONE | | |
| SIZE: B C- | | TYPE: AHDP02-18-06SN-SRAC030 | | REVISION: A1 |
| DWG NO: AHDP02-18-06SN-SRAC030 | | SHEET 1 OF 1 | | |

TITLE: 2 POS. RECEPTACLE SOCKET, PANELMATE AHPD SIZE 18, NORMAL SEAL, SRA
 DWG NO.: AHDP02-18-06SN-SRAC030
 REV: A1
 SH: 1
 OF: 1