



ANATECH ELECTRONICS INC
RF & Microwave Filters & Products

1775 MHz LC Band Pass Filter

Part Number: AE1775B10824



Electrical Specifications

Center Frequency: 1775 MHz
Bandwidth: 150 MHz
Passband: 1700-1850 MHz
Insertion Loss: 2.0 dB Max
Return Loss: 15 dB Min
Rejection: 50 dB @ 1475 MHz
 50 dB @ 2175 MHz
Power Handling: 15 Watts Max

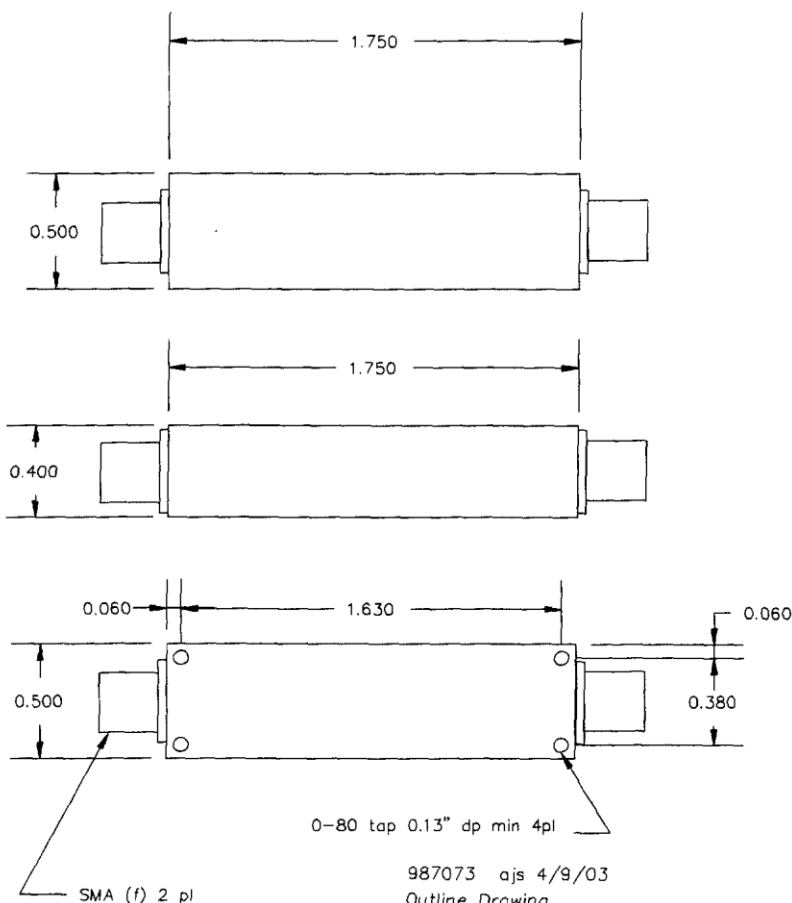
Mechanical

Connector Type: SMA (F)
Dimensions: 1.75 x 0.50 x 0.40 Inches

Environmental

Operating Temperature: -40 to +85° C
Storage Temperature: -65 to +95° C

Outline Drawing:



Anatech Electronics inc.
(986929)