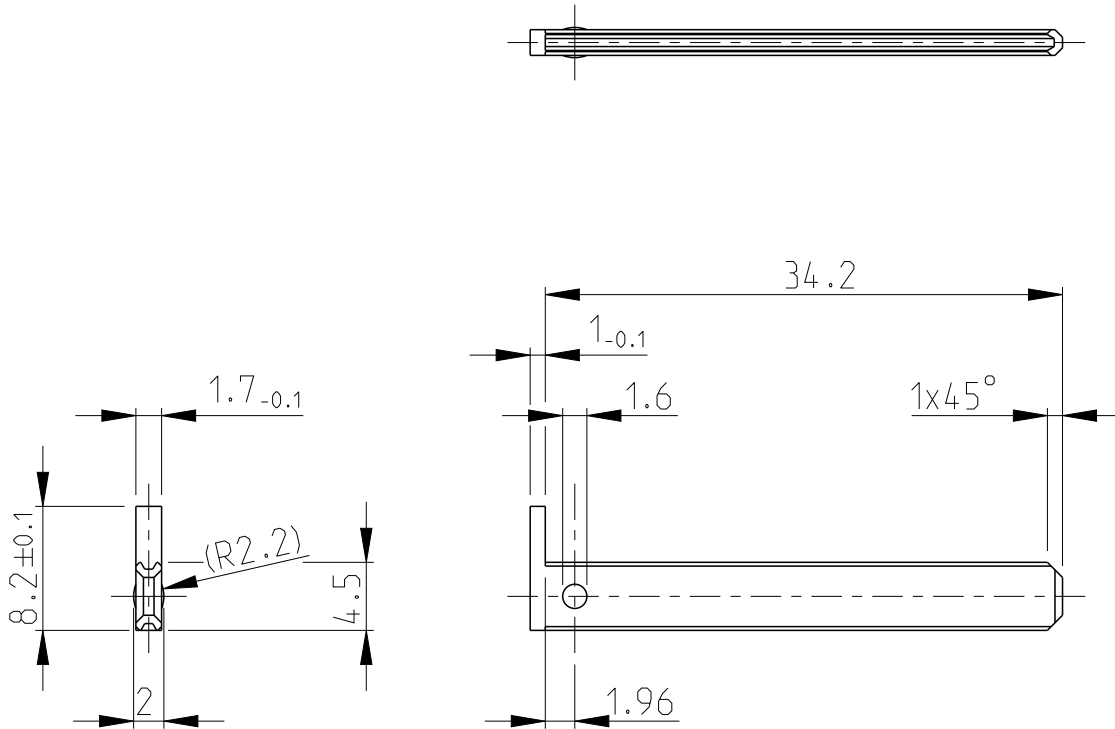


REVISIONS					
P	LTR	DESCRIPTION	DATE	DWN	APVD
	D2	NEW DRAWING CREATED	10SEP2007	Haas	Stre.
	D3	DASH NUMBER IN TABLE CORRECTED	16JAN2008	Haas	Stre.
	D4	TOLERANCE CHANGE	10MAR2023	KA	SPS



© 2023 TE Connectivity. All Rights Reserved.

926635-2	D		RED
926635-1	D		BLACK
PART NO.	REV.	MATERIAL	COLOR

DIMENSIONS: mm		DWN Haas,C.	10SEP2007	MATERIAL	PA 6.6 13GV	FINISH	-
TOLERANCES UNLESS OTHERWISE SPECIFIED: ±0.2mm		CHK Stredak,F.	11SEP2007	TE Connectivity			
0 PLC ±		APVD Bleicher,M.	12SEP2007				
1 PLC ±		PRODUCT SPEC	-	NAME LOCKING SLIDE			
2 PLC ±		APPLICATION SPEC	-	Kontaktsicherung fuer MODU IV Gehaeuse			
3 PLC ±				SIZE	CAGE CODE	DRAWING NO	RESTRICTED TO
4 PLC ±				A 4	00779	C-926635	-
ANGLES ±		WEIGHT	-	CUSTOMER DRAWING			
				SCALE	2:1	SHEET	1 OF 1
						REV	D4