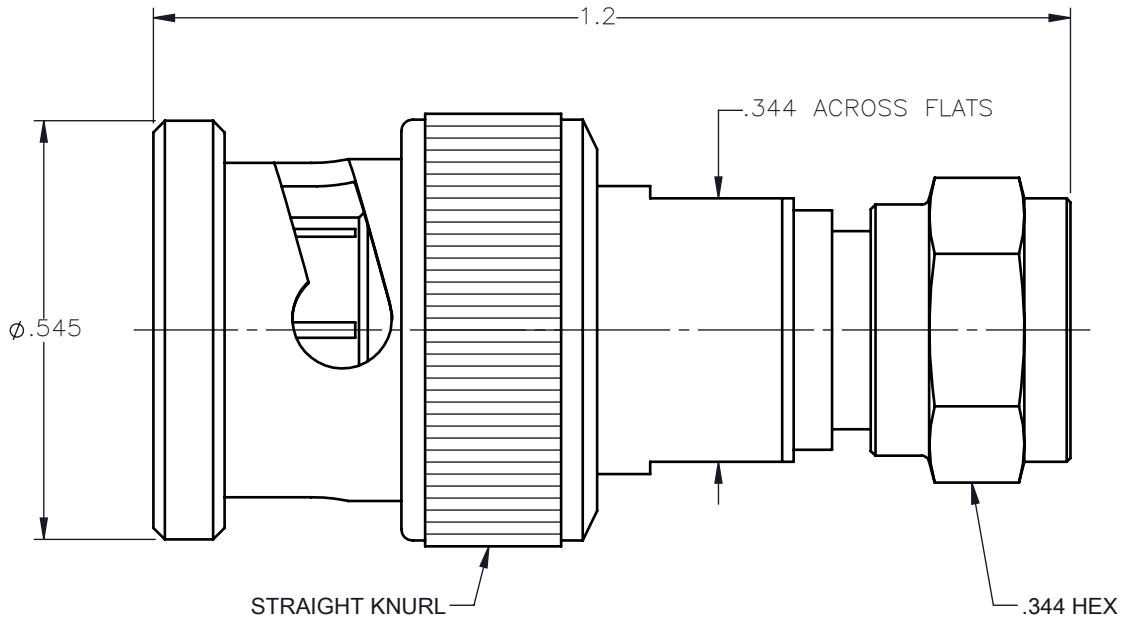


REVISIONS			
REV.	DESCRIPTION	DATE	APPROVED
A	INITIAL RELEASE	02/25/19	E.M.






NOTES:

MATERIALS:

1. INSULATORS = VIRGIN WHITE TEFLON PER ASTM D1710, GRADE 1, TYPE I, CLASS "B".
2. FEMALE CONTACT = BERYLLIUM COPPER PER ASTM B196, ALLOY C17300, TEMPER TD04.
3. SPRING WASHER = BERYLLIUM COPPER PER ASTM B196, ALLOY C17300, TEMPER TD04, OR BERYLLIUM COPPER PER ASTM B196, ALLOY C17200, TEMPER TD02.
4. SPLIT WASHER = BRASS PER ASTM B36, ALLOY C26000, TEMPER H02 OR BRASS PER ASTM B16, ALLOY C36000, TEMPER H02.
5. GASKET = SILICONE RUBBER PER MIL-R-5847.
6. ALL OTHER METAL PARTS = BRASS PER ASTM B16, ALLOY C36000, TEMPER H02.

FINISHES:

1. CONTACTS = GOLD PLATE PER ASTM B488 OR MIL-DTL-45204, TYPE II, 50µin MIN, GRADE C, OVER 100 TO 200µin SULFAMATE OR ELECTROLYTIC NICKEL PER AMS-QQ-N-290.
2. ALL OTHER METAL PARTS EXCEPT SPRING WASHER = GOLD PLATE PER ASTM B488 OR MIL-DTL-45204, TYPE II, 30µin MIN, GRADE C, OVER 100 TO 200µin COPPER STRIKE PER AMS 2418.

UNLESS OTHERWISE SPECIFIED DIMENSIONS ARE IN INCHES TOLERANCES ON	DWN:	DATE		Property of Radiall			
	E.M.	02/25/19		This document cannot be reproduced or communicated to a third party without prior written permission of RADIALL.			
DECIMAL	ANGLE	CHKD:	DATE	BNC MALE TO SCREW-ON 75 OHM FEMALE ADAPTER			
		J.S.	02/25/19				
		APVD:	DATE	SIZE	FSCM NO.	DWG NO.	REV
		J.M.	02/25/19	A	19505	5407-1501-000	A
REFERENCE:	MATERIAL & FINISHES:		SCALE	THIRD ANGLE PROJECTION		SHEET 1 OF 1	
ORIGINATED: E.M. DATE: 02/25/19	SEE NOTES		4:1				

5407-1501-000