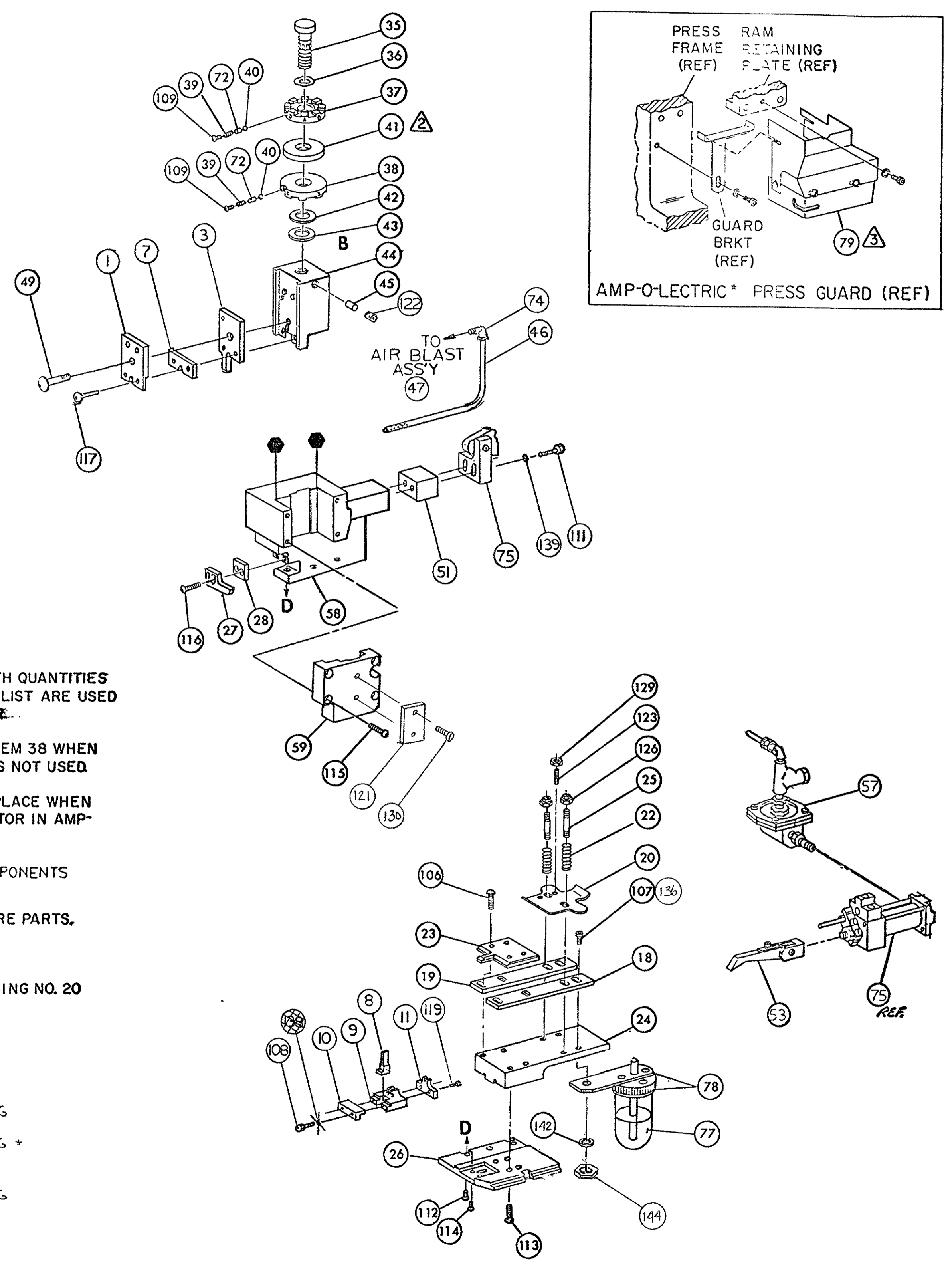


THIS DRAWING IS A CONTROLLED DOCUMENT.



- NOTES:**
- 1. ONLY THE ITEMS WITH QUANTITIES SPECIFIED ON PARTS LIST ARE USED ON THIS APPLICATOR.
  - ▲ USED IN PLACE OF ITEM 38 WHEN INSULATION CRIMP IS NOT USED.
  - △ GUARD MUST BE IN PLACE WHEN OPERATING APPLICATOR IN AMP-O-LECTRIC PRESS.
  - ▲ SEE DWGS FOR COMPONENTS KEY:
  - RECOMMENDED SPARE PARTS.
  - ▲ LUBRICATE DAILY USING NO. 20 MACHINE OIL.
  - GREASE LIGHTLY.
  - ⑤ USE (2) #15 MAG
  - ⑥ USE (2) #16 MAG
  - ⑦ USE (1) #16 MAG + (1) #17 MAG
  - ⑧ USE (2) #18 MAG

QTY	PART NO	DESCRIPTION	ITEM NO
1	21045-3	RING, RETAINING 'C' (.187 DIA) FEED PIN	145
1	21018-6	NUT, HEX, MACHINE SCREW 8	144
1	5-21028-1	PIN, SLOT SPG (.12 DIA X .50) FD ADJ ROD	143
1	21055-6	WASHER, FLAT, REGULAR SERIES 8	142
1	1-21030-7	PIN, DOWEL (.187 DIA X 1.50) HOUSING	141
1	1-21030-1	PIN, DOWEL (.187 DIA X .50) LEVER	140
2	22260-7	WASHER, FLAT (NO 10) FEED BRACKET	139
2	22260-5	WASHER, FLAT (NO 6) PLATE, RET.	138
1	21899-4	WASHER, FLAT (5/16 DIA) SCR ADJ	137
1	2-21000-9	SCR, SHC (8-32 X .75) STRIP GUIDE	136
1	21024-5	WASHER, LOCK (NO 10) FEED ADJ PLATE	135
1	21024-5	WASHER, LOCK (NO 10) SHEAR PLATES	134
1	21024-5	WASHER, LOCK (NO 10) FEED ROD GUIDE	133
1	21024-4	WASHER, LOCK (NO 8) STRIP GUIDE	132
1	21024-4	WASHER, LOCK (NO 8) SHEAR BLADE	131
2	21017-2	SCR, DRIVE (#2 X .19)	130
2	21018-4	NUT, HEX MACH (4-40) DRAG	129
1	21068-5	NUT, HEX MACH (6-32) FD ADJ PLATE	128
1	21018-7	NUT, HEX MACH (10-32) DRAG SPRING	127
2	21022-2	NUT, HEX SELF-LKG (8-32) DRAG STUD	126
1	5-21004-7	SCR, SKT HD SHLD (250 DIA X .25) DRAG ARM	125
1	21004-5	SCR, SKT HD SHLD (250 DIA X 1.00) DRAG	124
2	4-21078-8	SCR, SKT SET OVAL POINT (4-40 X .75) DRAG	123
1	21009-2	SCR, SKT SET (1/4-20 X 25) (LOC-WEL) RAM	122
1	464249-1	PLATE 1D	121
1	1-21002-7	SCR, BTN HD SKT CAP (6-32 X .38) CAM	120
2	1-21002-6	SCR, BTN HD SKT CAP (6-32 X .25) PLATE, GUIDE	119
3	3-21064-2	SCR, RD HD MACH (6-32 X 1.50) FEED ADJ	118
2	2-21002-9	SCR, BTN HD SKT CAP (10-32 X .75) S-SHEAR	117
2	8-21002-9	SCR, BTN HD SKT CAP (8-32 X 1.00) STRIPPER	116
4	2-21002-9	SCR, BTN HD SKT CAP (10-32 X .75) HSG CAP	115
4	3-21002-4	SCR, BTN HD SKT CAP (1/4-20 X .62) STR GDE PL	114
3	2-22733-9	SCR, BTN HD SKT CAP (1/4-20 X .75) BASE PL	112
2	4-21000-3	SCR, SKT HD CAP (10-32 X 2.00) AIR FEED BRACKET	111
1	2-21000-4	SCR, SKT HD CAP (6-32 X 1.00) DRAG ADAPTOR	110
7	23030-1	SCR, SKT HD CAP (6-32 X .25) (LOC-WEL) CP DISC	109
2	1-21000-9	SCR, SKT HD CAP (6-32 X .38) PLATE, RET.	108
1	2-21000-6	SCR, SKT HD CAP (8-32 X .38) STRIP GUIDE	107
4	2-21002-2	SCR, BTN HD CAP (8-32 X .50) PLATE, STRIP HOLD	106
1	3-21000-7	SCR, SKT HD CAP (10-32 X .75) FD ROD GUIDE	105
1	3-21000-9	SCR, SKT HD CAP (10-32 X 1.00) DRAG SPRING	104
1	3-21000-6	SCR, SKT HD CAP (10-32 X .62) FD ADJ PLATE	103
1	3-21000-4	SCR, SKT HD CAP (10-32 X .38) PIVOT BLK	102
1	3-21000-8	SCR, SKT HD CAP (10-32 X .88) SHEAR PLATE	101
1	460980-2	GUARD ASSY	79
1	465184-7	LUBRICATOR ASSY	78
REF	852931-2	OIL, LUBRICATING	77
1	454406-1	SPACER, LUB BRACKET	76
1	460277-1	AIR FEED ASSY	75
1	22317-3	ELBOW, COPPER TUBE	74
1	458109-1	WASHER, FLAT (SPECIAL)	73
1	690603-1	SPRING, ASSIST	72
1	690517-1	SPACER	71
1	22594-8	NUT, HEX	70
1	240628-1	PLATE, ADJ	69
1	240626-1	SHAFT, PIVOT	68
1	240633-1	BUSHING	67
1	455680-1	LEVER, INTERMEDIATE	66
1	240629-1	BLOCK, PIVOT	65
1	240632-2	SCREW, ADJ	64
1	240659-3	PIN, CAM ROLLER	63
1	240658-1	CAM, ROLLER	62
1	454398-1	ROD, FEED	61

QTY	PART NO	DESCRIPTION	ITEM NO
1	462926-1	CAP, RAM	59
1	453736-1	HOUSING	58
1	692655-1	VALVE ASSY	57
1	24042-2	VALVE, SHUT-OFF	56
1	240624-1	PIN, FEED FINGER	55
1	460680-7	SPRING, FEED FINGER	54
1	240634-	FINGER, FEED ASSY	53
1	461690-1	LEVER, TERMINAL	52
1	461690-1	SPACER, AIR FEED	51
1	7-21002-9	BOLT, CRIMPER	50
1	455350-1	CAM, FEED STROKE	49
1	689446-2	AIR BLAST ASSY	48
1	690191-1	TUBE, AIR BLAST	47
1	459586-1	PLUG, NYLON	46
1	690125-1	RAM	45
1	690124-4	WASHER, LAMINATED	44
1	690223-1	WASHER, RAM	43
1	23241-6	SPACER, DISC	42
1	690170-1	BALL, STEEL	41
1	22480-5	SPRING, COMPRESSION	40
1	690212-1	DISC, INSULATION	39
1	22480-5	WASHER, SPRING	38
1	690212-1	POST, RAM	37
1	458980-	APPLICATOR, BASIC (SUB ASSY)	36
1	458980-	APPLICATOR, BASIC (SUB ASSY)	35
1	458980-	APPLICATOR, BASIC (SUB ASSY)	34
1	458980-	APPLICATOR, BASIC (SUB ASSY)	33
1	458980-	APPLICATOR, BASIC (SUB ASSY)	32
1	458980-	APPLICATOR, BASIC (SUB ASSY)	31
1	458980-	APPLICATOR, BASIC (SUB ASSY)	30
1	458980-	APPLICATOR, BASIC (SUB ASSY)	29
1	458980-	APPLICATOR, BASIC (SUB ASSY)	28
1	458980-	APPLICATOR, BASIC (SUB ASSY)	27
1	458980-	APPLICATOR, BASIC (SUB ASSY)	26
1	458980-	APPLICATOR, BASIC (SUB ASSY)	25
1	458980-	APPLICATOR, BASIC (SUB ASSY)	24
1	458980-	APPLICATOR, BASIC (SUB ASSY)	23
1	458980-	APPLICATOR, BASIC (SUB ASSY)	22
1	458980-	APPLICATOR, BASIC (SUB ASSY)	21
1	458980-	APPLICATOR, BASIC (SUB ASSY)	20
1	458980-	APPLICATOR, BASIC (SUB ASSY)	19
1	458980-	APPLICATOR, BASIC (SUB ASSY)	18
1	458980-	APPLICATOR, BASIC (SUB ASSY)	17
1	458980-	APPLICATOR, BASIC (SUB ASSY)	16
1	458980-	APPLICATOR, BASIC (SUB ASSY)	15
1	458980-	APPLICATOR, BASIC (SUB ASSY)	14
1	458980-	APPLICATOR, BASIC (SUB ASSY)	13
1	458980-	APPLICATOR, BASIC (SUB ASSY)	12
1	458980-	APPLICATOR, BASIC (SUB ASSY)	11
1	458980-	APPLICATOR, BASIC (SUB ASSY)	10
1	458980-	APPLICATOR, BASIC (SUB ASSY)	9
1	458980-	APPLICATOR, BASIC (SUB ASSY)	8
1	458980-	APPLICATOR, BASIC (SUB ASSY)	7
1	458980-	APPLICATOR, BASIC (SUB ASSY)	6
1	458980-	APPLICATOR, BASIC (SUB ASSY)	5
1	458980-	APPLICATOR, BASIC (SUB ASSY)	4
1	458980-	APPLICATOR, BASIC (SUB ASSY)	3
1	458980-	APPLICATOR, BASIC (SUB ASSY)	2
1	458980-	APPLICATOR, BASIC (SUB ASSY)	1

REMARKS	NO	REV
APPL USED ON MACHINE PART NO	MACH SERIAL NO	DISTRIBUTION
CUSTOMER NAME	APPL SERIAL NO	ORIGINAL
ADDRESS	PURCHASE ORDER	CUSTOMER COPY
CITY	ENG APP	FIELD ENG COPY

CRIMP DATA	APPLICATOR WILL APPLY			
PAD LTR	CRIMP HEIGHT	WIRE SIZE	WIRE STRIP LENGTH	
A	.089	2200-7000	▲	42779
B	.084	5200-6000	▲	61849
C	.079	4000-5000	▲	62001
D	.074	3000-3800	▲	485068

WIRE RANGE	INSULATION RANGE	PRESS NO
3000-7000MA	—	565435-5

REMARKS: AMP-O-LECTRIC AIR FEED AIR BLAST

I.D. PLATE #464249-1