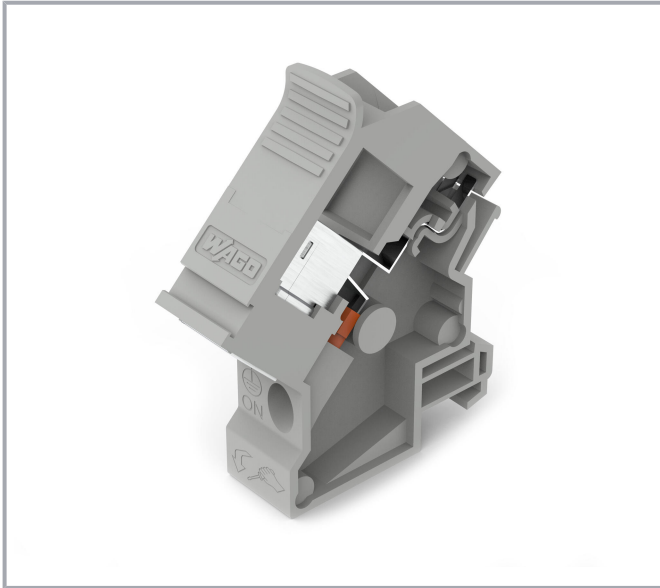


Data sheet | Item number: 289-197

Interface module; RJ-45; IDC technology; Cat. 6A; in mounting carrier; with shield connection

www.wago.com/289-197



Data

Electrical data

Contact resistance (max.)	5 m Ω
Specialty functions	with shield connection

Safety and protection

Protection type	IP20
-----------------	------

Connection data

Mating cycles	750
Connection cable	Cat. 6A (min.)

Connection 1

Connector	RJ-45 (shielded)
Pole number 1	8
Connection type 1	System

Subject to changes. Please also observe the further product documentation!

WAGO GmbH & Co. KG
Hansastr. 27
32423 Minden
Phone: +49571 887-0 | Fax: +49571 887-169
Email: info.de@wago.com | Web: www.wago.com

Do you have any questions about our products?
We are always happy to take your call at +49 (571) 887-44222.



Connection type	RJ-45
-----------------	-------

Connection 2

Pole number 2	8
Connection type 2	System
Connection technology 2	IDC connection
Solid conductor 2	0.4 ... 0.65 mm ² / 26 ... 22 AWG
Stranded conductor 2	0.4 ... 0.65 mm ² / 26/7 ... 22/7 AWG
Strip length 2	4.5 ... 9.6 mm / 0.18 ... 0.38 inches

Physical data

Width	18 mm / 0.709 inches
Height	90 mm / 3.543 inches
Depth from upper-edge of DIN-rail	59 mm / 2.323 inches

Mechanical Data

Mounting type	DIN-35 rail
Housing design	Mounting carrier
Mating cycles	750

Material Data

Contact plating (connector)	Au over Ni
Contact material (connector)	CuSn
Material (plug-in module)	Zinc die casting
Material (DIN-rail adapter)	PC-GF10
Weight	39 g

Environmental requirements

Ambient temperature (operation)	-10 ... +60 °C
Ambient temperature (storage)	-40 ... +70 °C
Relative humidity	95% (non-condensing)

Commercial data

ETIM 8.0	EC002780
ETIM 7.0	EC002780
PU (SPU)	1 pcs

Subject to changes. Please also observe the further product documentation!

WAGO GmbH & Co. KG
 Hansastr. 27
 32423 Minden
 Phone: +49571 887-0 | Fax: +49571 887-169
 Email: info.de@wago.com | Web: www.wago.com

Do you have any questions about our products?
 We are always happy to take your call at +49 (571) 887-44222.




Packaging type	bag
Country of origin	PL
GTIN	4066966083484
Customs tariff number	85366990990

Environmental Product Compliance

RoHS Compliance Status	Compliant, No Exemption
------------------------	-------------------------

Approvals / Certificates

Approvals for marine applications

Logo	Approval	Additional Approval Text	Certificate name
	DNV DNV Germany GmbH	DNV-CG-0339, Aug. 2021	TAE00004KF

Downloads

Documentation

Bid Text

289-197 X81 - Datei	xml 4.1 kB	Download
289-197 doc - Datei	docx 15.3 kB	Download
ausschreiben.de 289-197	URL	Download

Instruction Leaflet

Übergabemodul; RJ-45; Schneidklemmtechnik; Cat. 6A; im Montagesockel; mit Schirmanschluss	12.2019 2023 May 11	pdf 302.5 kB	Download
Übergabemodul; RJ-45; Schneidklemmtechnik; Cat. 6A; im Montagesockel; mit Schirmanschluss	2023 May 11	png 174.4 kB	Download

Subject to changes. Please also observe the further product documentation!



CAD/CAE-Data

CAD data

2D/3D Models 289-197	URL	Download
----------------------	---------------------	--------------------------

CAE data

EPLAN Data Portal 289-197	URL	Download
---------------------------	---------------------	--------------------------

Environmental Product Compliance

Compliance Search

Environmental Product Compliance 289-197	URL	Download
--	---------------------	--------------------------

Interface module; RJ-45; IDC technology; Cat. 6A; in mounting carrier; with shield connection

Installation Notes

Subject to changes. Please also observe the further product documentation!