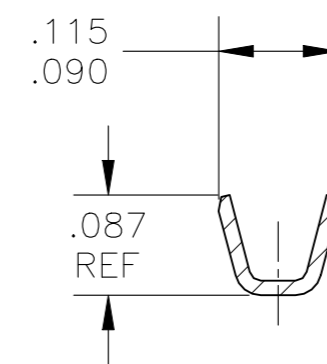
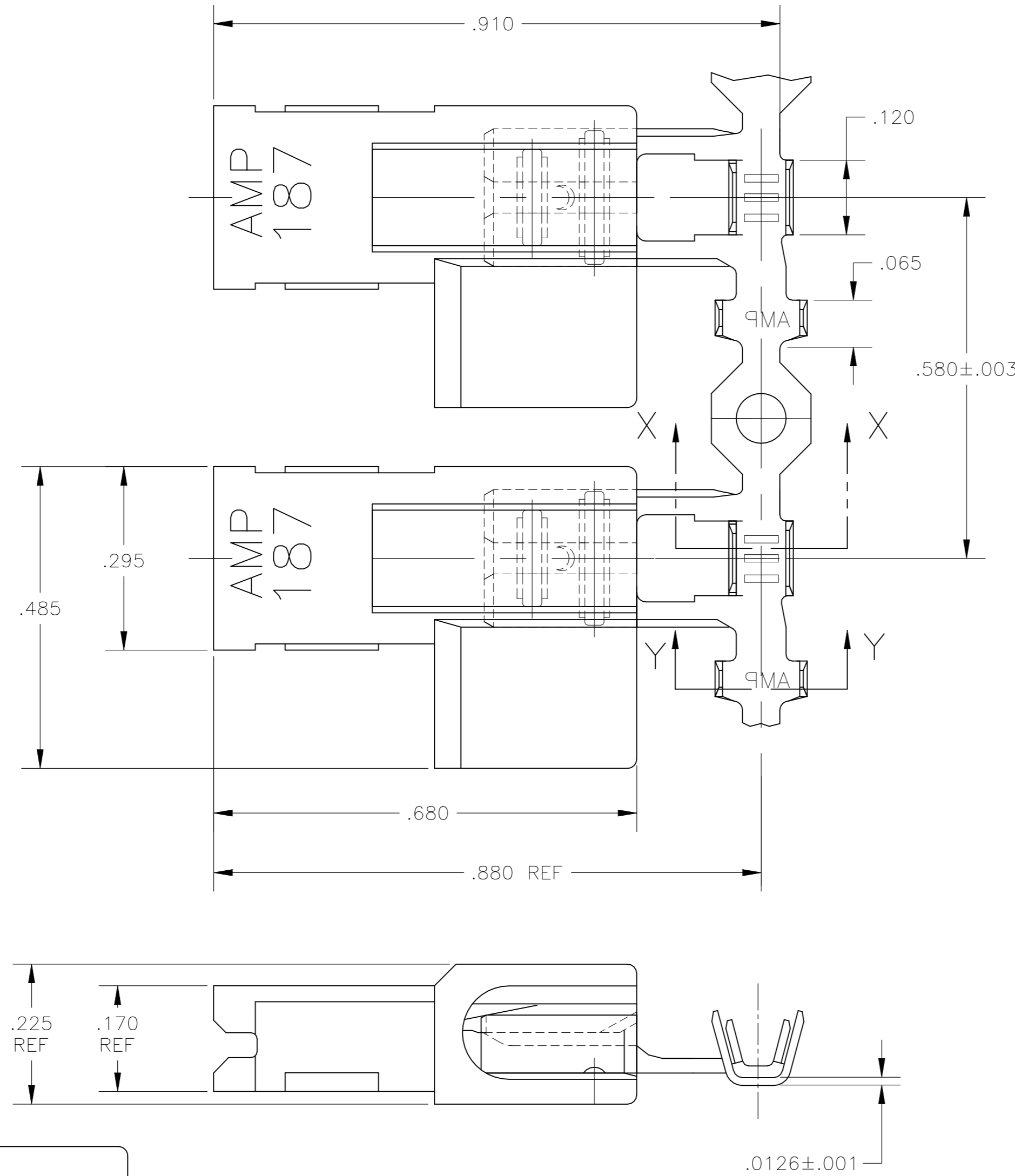


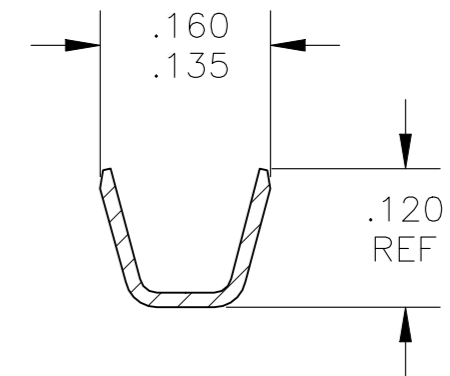
REVISIONS					
P	LTR	DESCRIPTION	DATE	DWN	APVD
B1		REVISED PER ECR-22-160893	14DEC2022	DB	BW

- 1 USE FLAG FASTON TERMINAL BASE
- 2 WIRE SIZE IS #22-#18 AWG
- 3 INSULATION RANGE IS .060-.110 DIA
- 4 MATERIAL;
TERMINAL: BRASS, FINISH: SEE TABLE
HOUSING: V2 NYLON, COLOR: NATURAL(WHITE)
- 5 FITS .187 X .032 THK FASTON TAB

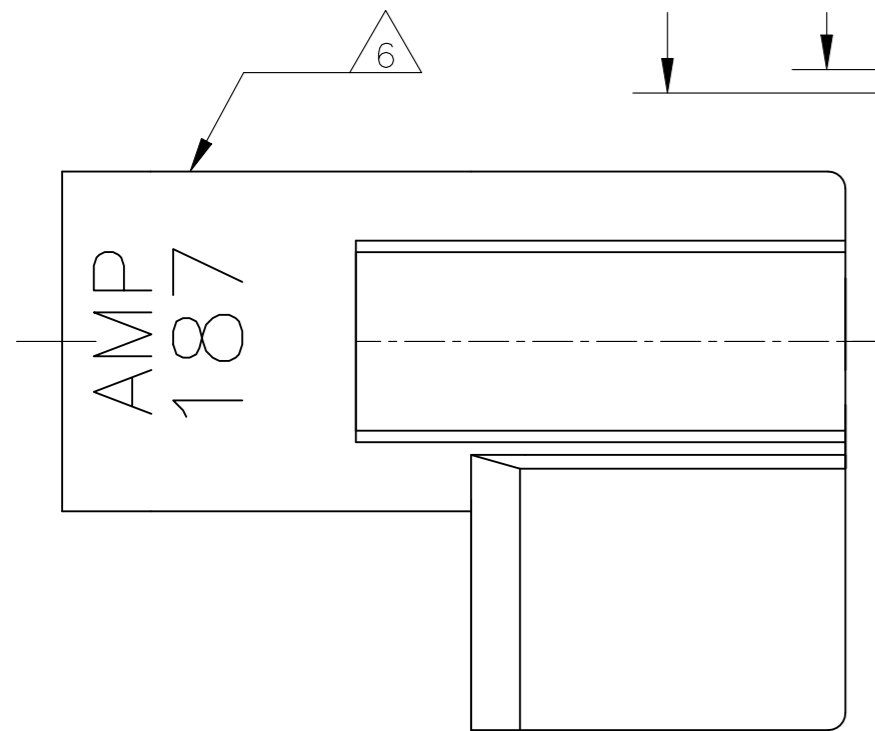
- △6 ALTERNATIVE HOUSING FORM
- △7 PRELIMINARY - NOT FOR PRODUCTION
- △8 GLOW WIRE APPROVED; CONTACT TE ENGINEERING FOR SPECIFICATION (ALL WALL THICKNESSES ARE BETWEEN 0.4-3.0[.015-.118])



SECTION X-X



SECTION Y-Y



THIS DRAWING IS A CONTROLLED DOCUMENT.		DWN RAGHAVENDRA H M 04APR2007	TIN PLATE △8 1969107-2	
DIMENSIONS: INCHES		CHK G D PORTA 04APR2007	NO PLATING △7 1969107-1	
TOLERANCES UNLESS OTHERWISE SPECIFIED:		APVD G D PORTA 04APR2007	TERMINAL: FINISH PART NO.	
0 PLC ± -		PRODUCT SPEC	TE Connectivity	
1 PLC ± -		APPLICATION SPEC	ASSEMBLY, RECPT, FLAG, ULTRA-POD, .187 SERIES	
2 PLC ± -		WEIGHT 0.000000	WIRE SIZE: 22-18 AWG	
3 PLC ± .010		CUSTOMER DRAWING	SIZE A2	CAGE CODE 00779
4 PLC ± -		SCALE 6:1	DRAWING NO C=1969107	RESTRICTED TO -
ANGLES ± -		SHEET 1 OF 1	REV B1	
FINISH SEE NOTES				