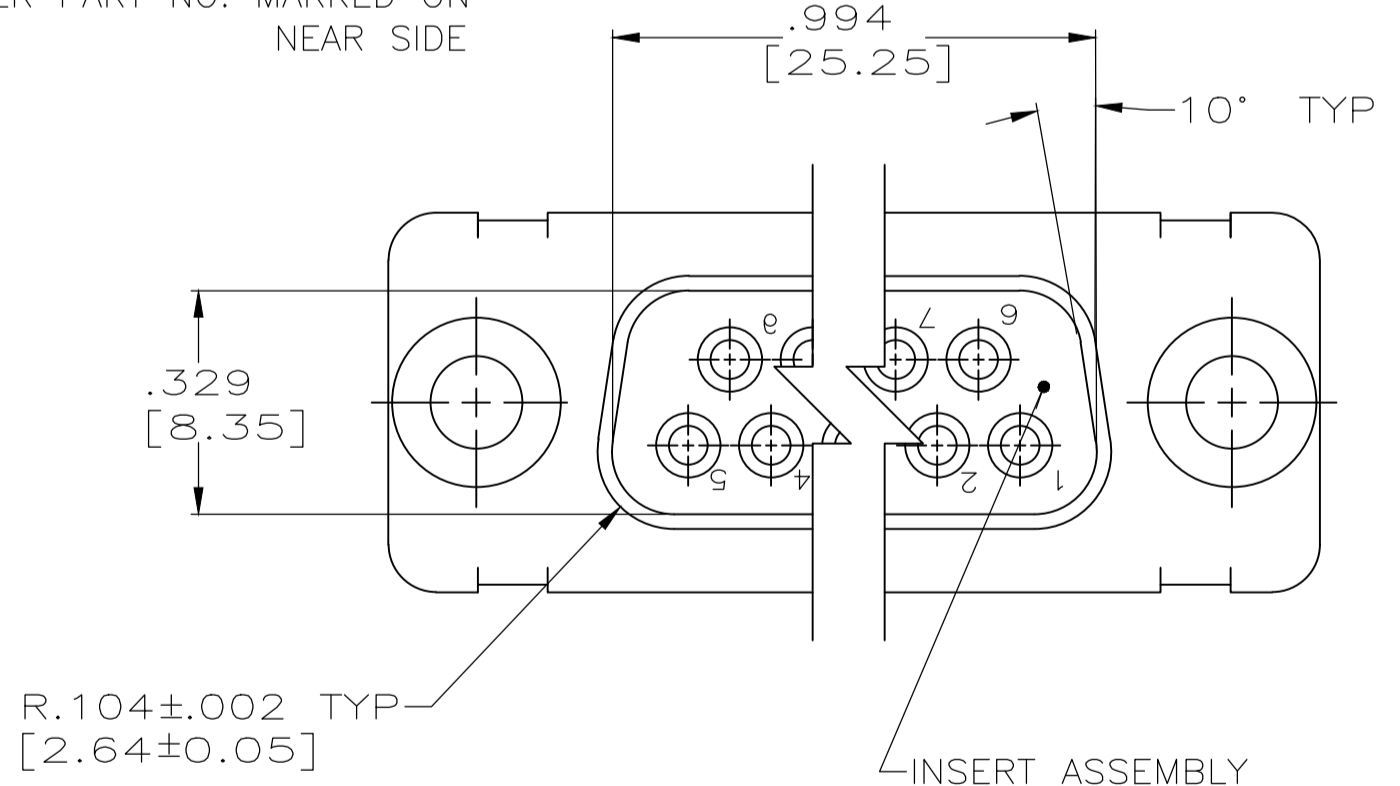
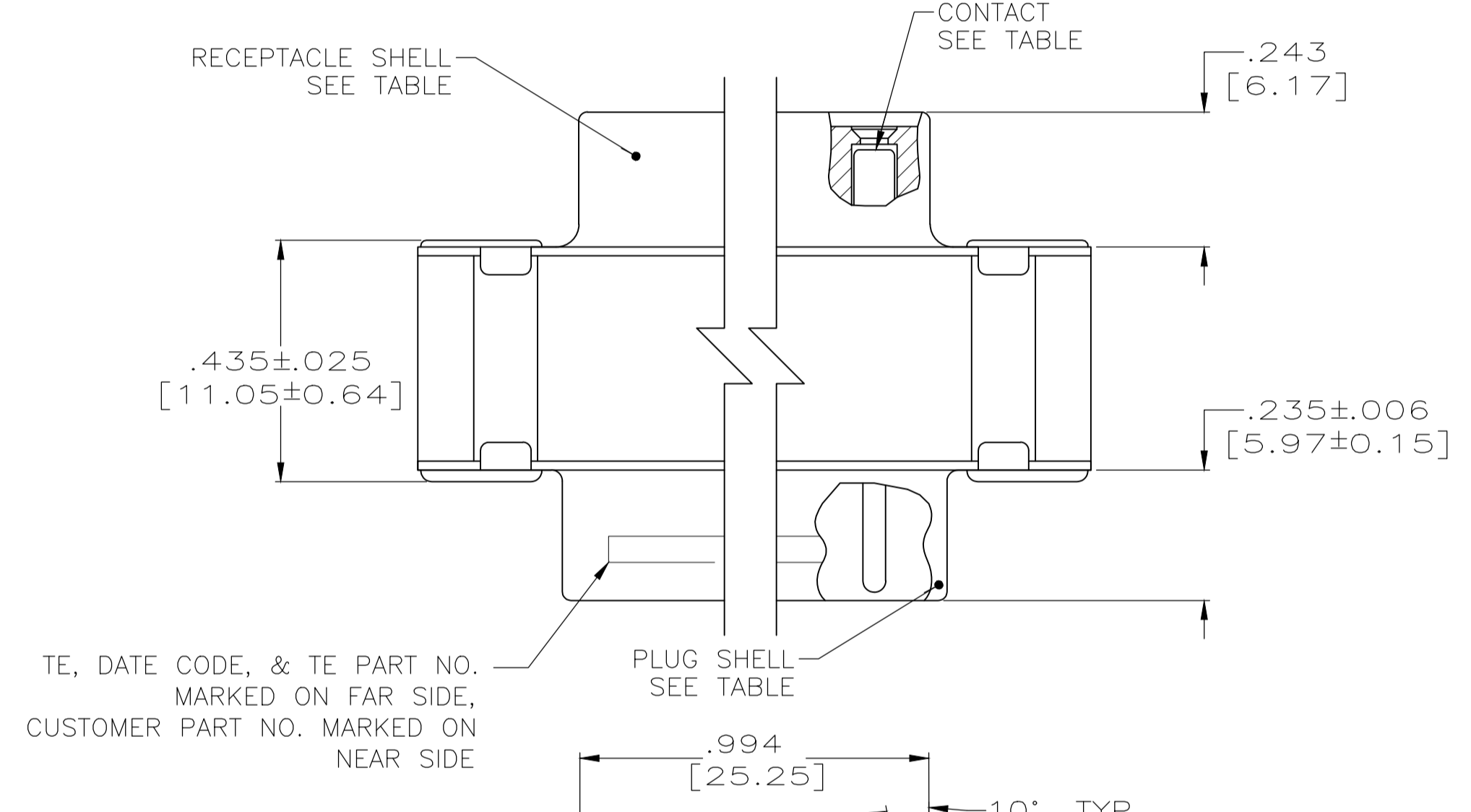
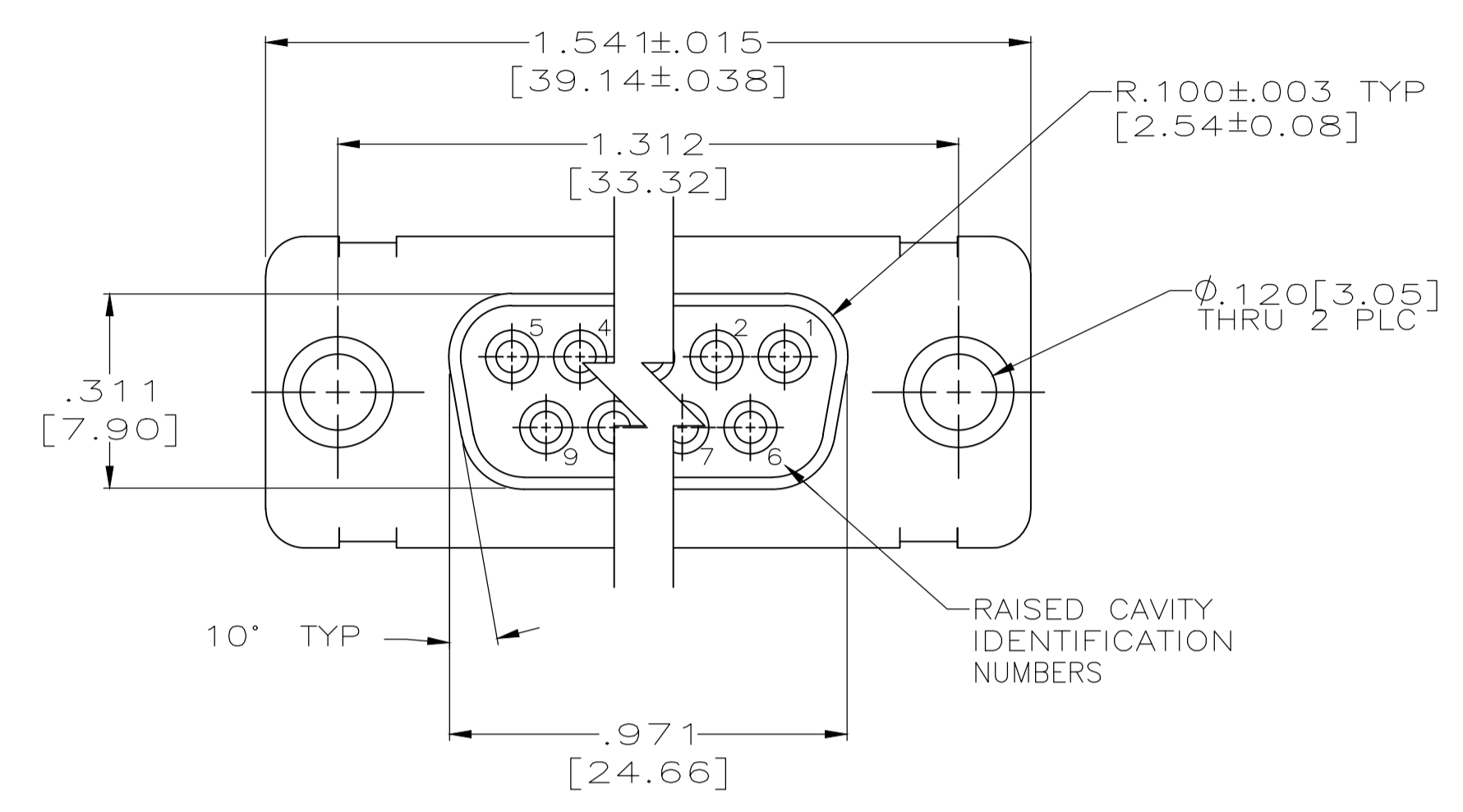
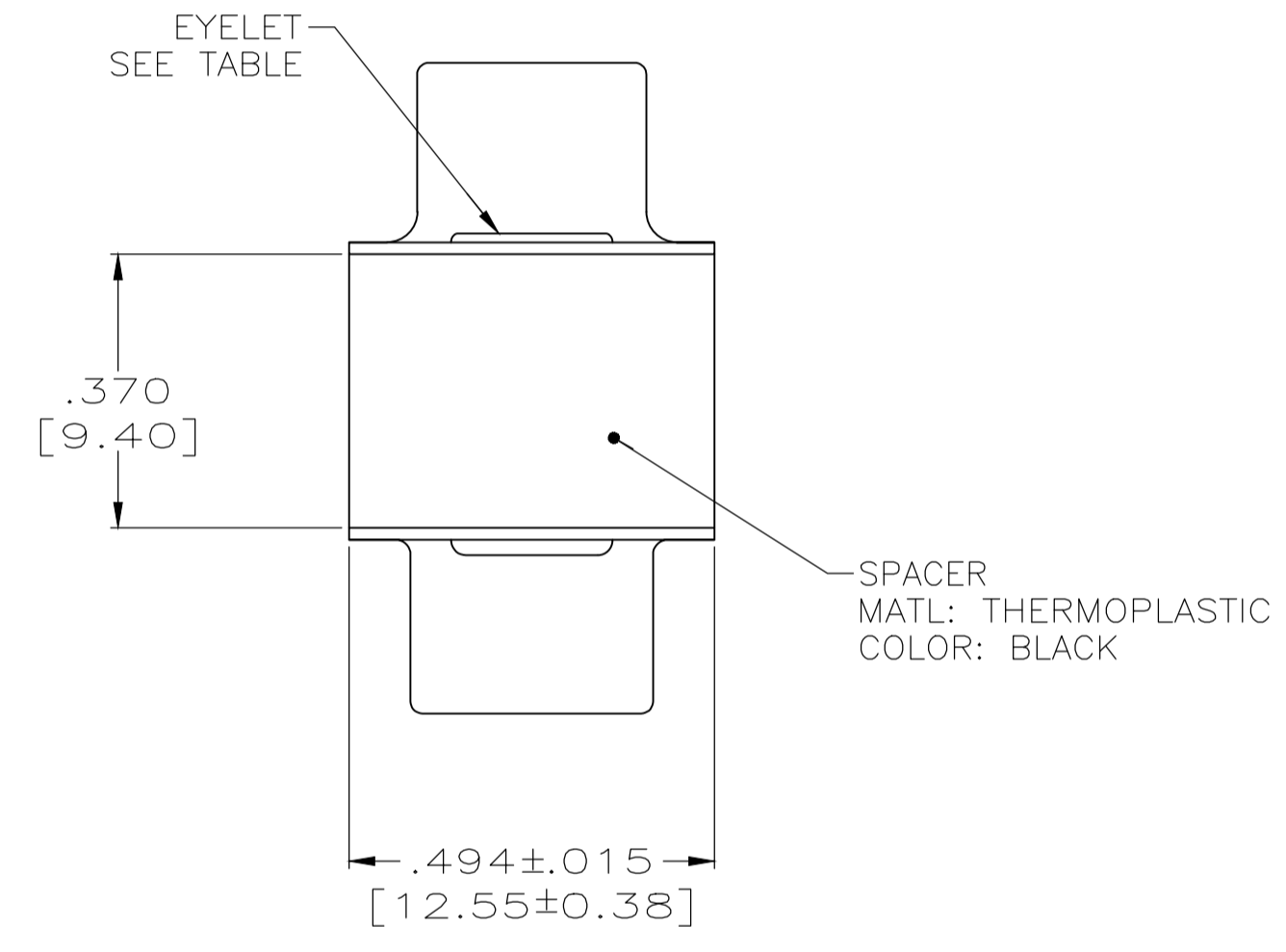


REVISIONS					
P	LTR	DESCRIPTION	DATE	DMN	APVD
E		REV PER ECO 19-019228	4-16-20	CT	DM

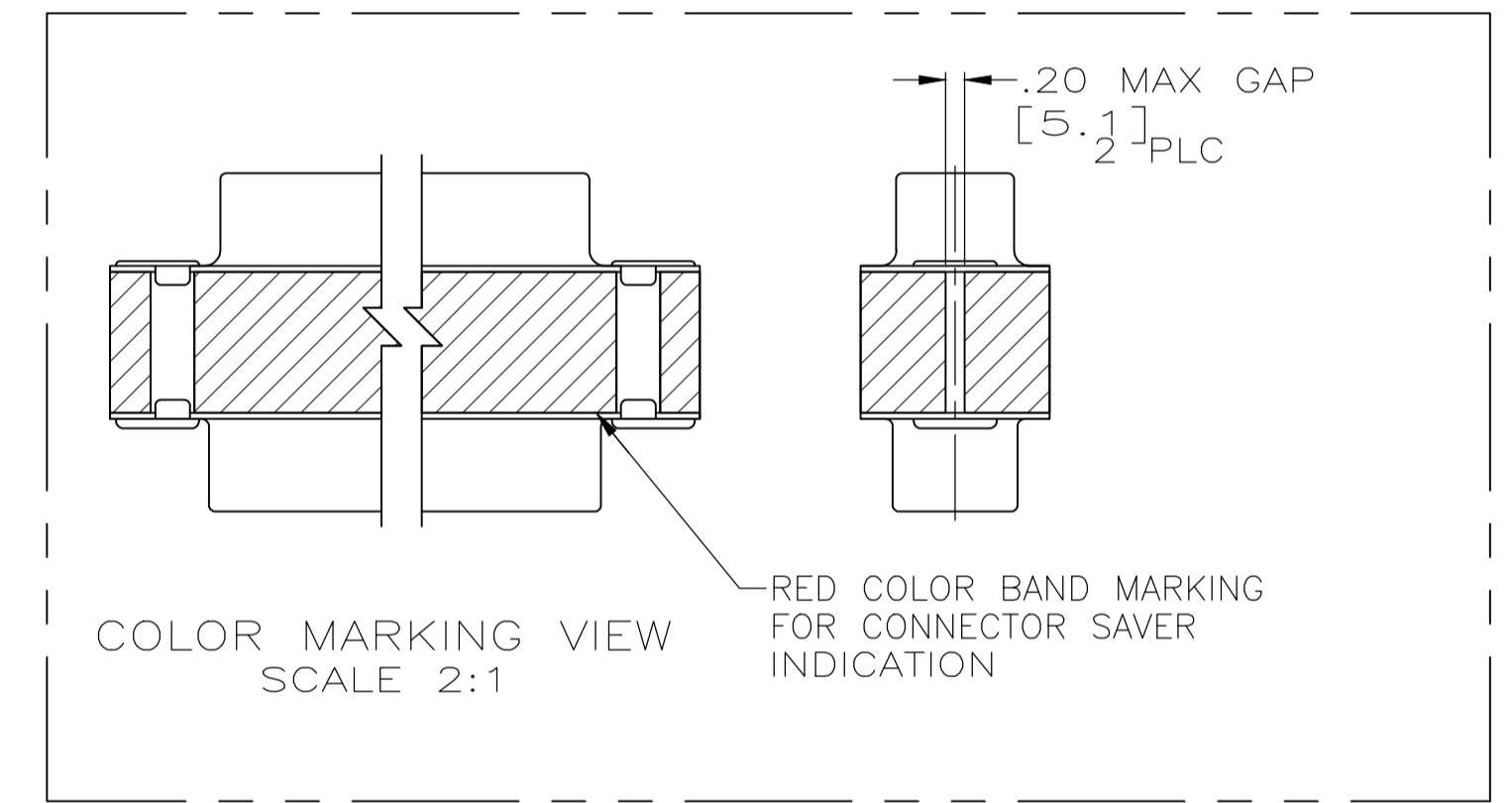


INSERT ASSEMBLY
 MATL: POLYESTER PER MIL-M-24519
 TYPE GPT-30F
 COLOR: BLUE
 OR DIALLYL PHTHALATE IN
 ACCORDANCE WITH MIL-M-14
 TYPE SPG-F
 COLOR: BLUE

TE, DATE CODE, & TE PART NO.
 MARKED ON FAR SIDE,
 CUSTOMER PART NO. MARKED ON
 NEAR SIDE



1. CONTACTS INCLUDED IN ASSEMBLY.
- ⚠ CONTACT
 BODY MATL: BERYLLIUM COPPER PER ASTM-B-197.
 BODY FINISH: PLATED GOLD, .000050 MIN THK PER MIL-G-45204 OVER NICKEL, .000050 MIN THK PER QQ-N-290.
 HOOD MATL: STAINLESS STEEL PER ASTM-A-167.
 HOOD FINISH: PASSIVATED PER ASTM-A-380
 - ⚠ MATL: BRASS PER ASTM-B-36.
 - ⚠ FINISH: PLATED GOLD, .000050 MIN THK PER MIL-G-45204 OVER COPPER, .000100 MIN THK PER MIL-C-14550.



⚠ ⚠	⚠ ⚠	⚠	4U884 SOCN R10002677-0002	1218304-2
⚠ ⚠	⚠ ⚠	⚠	(1J02-002)	1218304-1
EYELET	SHELLS	CONTACT	CUSTOMER P/N	PART NO.

THIS DRAWING IS A CONTROLLED DOCUMENT.		DIN T. THOMPSON 19AUG98	TE Connectivity AMPLIMITE CONNECTOR SAVER SERIES 109, SIZE 2, 15 POS NON-REMOVABLE CONTACTS	
DIMENSIONS: INCHES		CHK J. NORTON 19AUG98		
TOLERANCES UNLESS OTHERWISE SPECIFIED:		APVD J. NORTON 19AUG98	NAME	RESTRICTED TO
0 PLC	± -	PRODUCT SPEC	SIZE	CAGE CODE
1 PLC	± -	APPLICATION SPEC	WEIGHT	DRAWING NO
2 PLC	± -		0.000000	A1 00779
3 PLC	± -			1218304
4 PLC	± -			
ANGLES	± -			
MATERIAL	FINISH		CUSTOMER DRAWING	SCALE 4:1 SHEET 1 OF 1 REV E