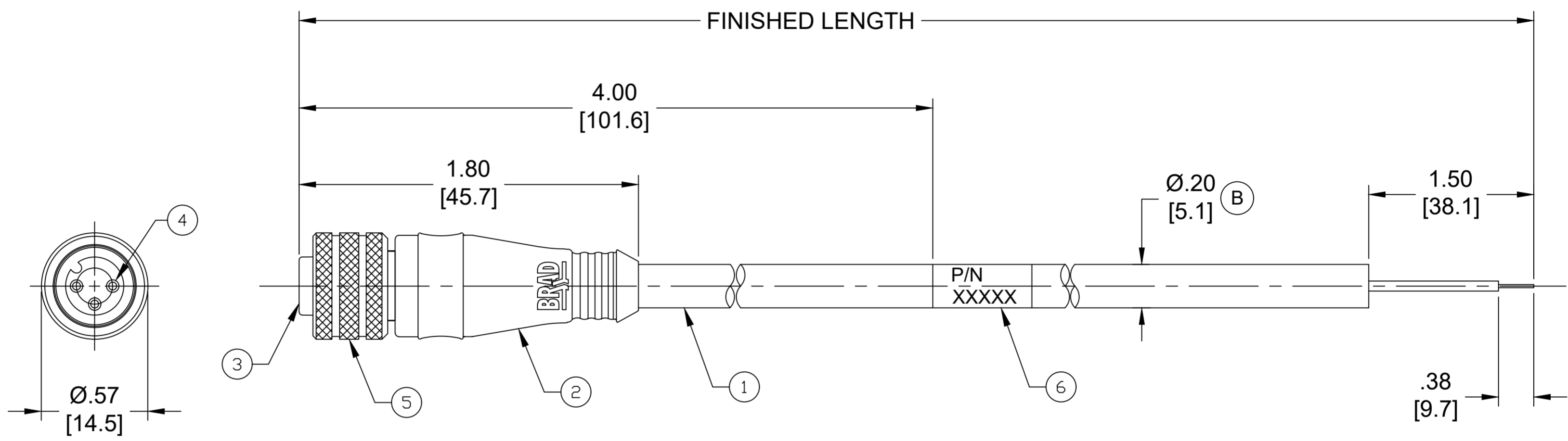


PART NO	ENGINEERING NO.	FINISHED LENGTH
1200650128	803000A09M010	1M [ 3FT 3 IN ]
1200650139	803000A09M050	5M [ 15FT 5 IN ]
1200650148	803000A09M100	10M [ 32FT 9 IN ]

- NOTES:**
- MATERIAL: AS NOTED
  - FINISH: AS NOTED
  - ELECTRICAL:  
VOLTAGE: 250V  
CURRENT: 4A
  - TEMP RATING: -20°TO +105°C (B)
  - PROTECTION: IP67 (WHEN MATED)
  - COUPLING THREAD: M12X1
  - UL RECOGNIZED FILE: E152210  
CSA CERTIFIED FILE: LR6837 (B)
  - ALL DIMENSIONS ARE FOR REFERENCE  
UNLESS TOLERANCED OR NOTED OTHERWISE



**PART NO. MATRIX**  
**803000A09M010**

↓  
**FINISHED LENGTH**  
M005 = 0.5 METER  
M010 = 1 METER  
M100 = 10 METER

(B)

**CABLE LENGTH TOLERANCES**

<.3M [1FT]:	+19mm-0 [+ .75in-0]
.3 - .9M [1 - 3FT]:	+44.5mm-0 [+1.75in-0]
.9 - 1.8M [3 - 6FT]:	+55.6mm-0 [+2.19in-0]
1.8 - 3.7M [6 - 12FT]:	+88.9mm-0 [+3.50in-0]
3.7 - 7.3M [12 - 24FT]:	+165.1mm-0 [+6.50in-0]
7.3-14.6M [24 - 48FT]:	+317.5mm-0 [+12.50in-0]
14.6 - 30.5M [48-100FT]:	+622.3mm-0 [+24.50in-0]
OVER 30M [100FT]	+2% OF FINISHED LENGTH

6	WRAP LABEL	VINYL	BLACK/YELLOW	(B)
5	COUPLER	BRASS	NICKEL PLATED	
4	CONTACT SOCKET	COPPER ALLOY	GOLD OVER NICKEL	
3	INSERT	PUR	BLACK	
2	OVERMOLD	PUR	YELLOW	(B)
1	#22/3 CABLE	PVC JACKET	YELLOW	
ITEM	DESCRIPTION	MATERIAL	FINISH	

THIS DRAWING CONTAINS INFORMATION THAT IS PROPRIETARY TO MOLEX ELECTRONIC TECHNOLOGIES, LLC AND SHOULD NOT BE USED WITHOUT WRITTEN PERMISSION

FUNCTIONAL SYMBOLS	DIMENSION UNITS	SCALE	CURRENT REV DESC: ITEM #2 WAS PVC & ITEM #6 WAS MYLAR. ADDED UL, CSA, CABLE DIA & TOL CHART. MODIFIED TEMP RATING & PN CHART	<b>molex</b>	
$F_A=0$	INCH/MM	NTS	EC NO: 669893		
$F_C=0$	GENERAL TOLERANCES (UNLESS SPECIFIED)		DRWN: ABENJAMINLW 2021/03/19	MICRO-CHANGE CORDSET, M12, 3 POLE, FEMALE, STRAIGHT, SINGLE KEY, #22 AWG	
$F_P=0$	mm INCH		CHK'D: RSTONE 2021/07/12	PRODUCT CUSTOMER DRAWING	
DIVISIONAL SYMBOLS	4 PLACES ±----	±----	APPR: BWOODMAN 2021/07/14	DOCUMENT NUMBER	
	3 PLACES ±----	±----	INITIAL REVISION:	SD-120065-067	
	2 PLACES ±----	±----	DRWN: GGUSTAFS 2013/11/20	DOC TYPE/DOC PART/REVISION	
	1 PLACE ±----	±----	APPR: BWOODMAN 2013/12/02	PSD 001 B	
	0 PLACES ±----	±----	ANGULAR TOL ± ---- °	MATERIAL NUMBER	
	DRAFT WHERE APPLICABLE MUST REMAIN WITHIN DIMENSIONS	THIRD ANGLE PROJECTION	DRAWING	CUSTOMER	
			SERIES	SHEET NUMBER	
			C-SIZE 120065	SEE CHART GENERAL MARKET 1 OF 1	