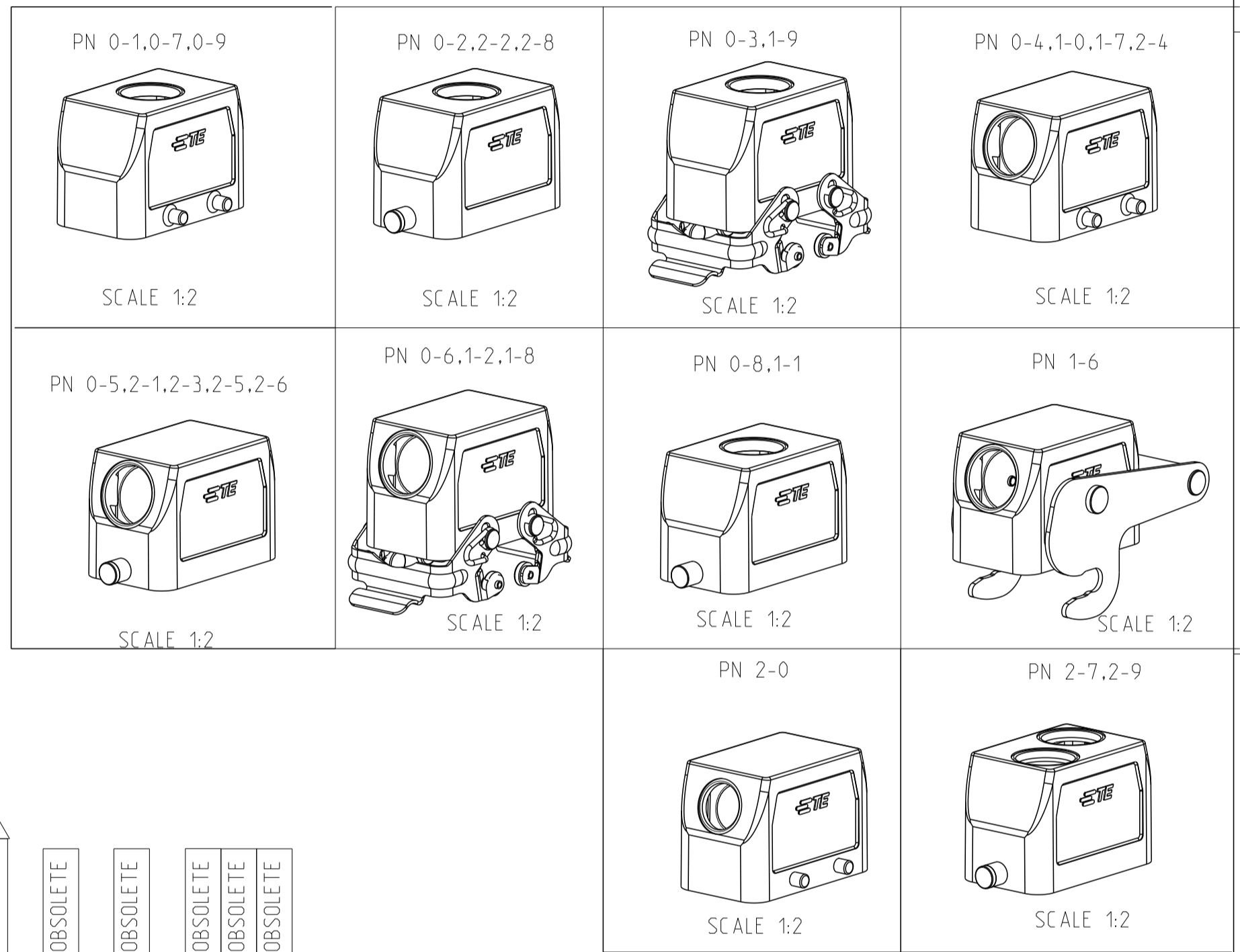
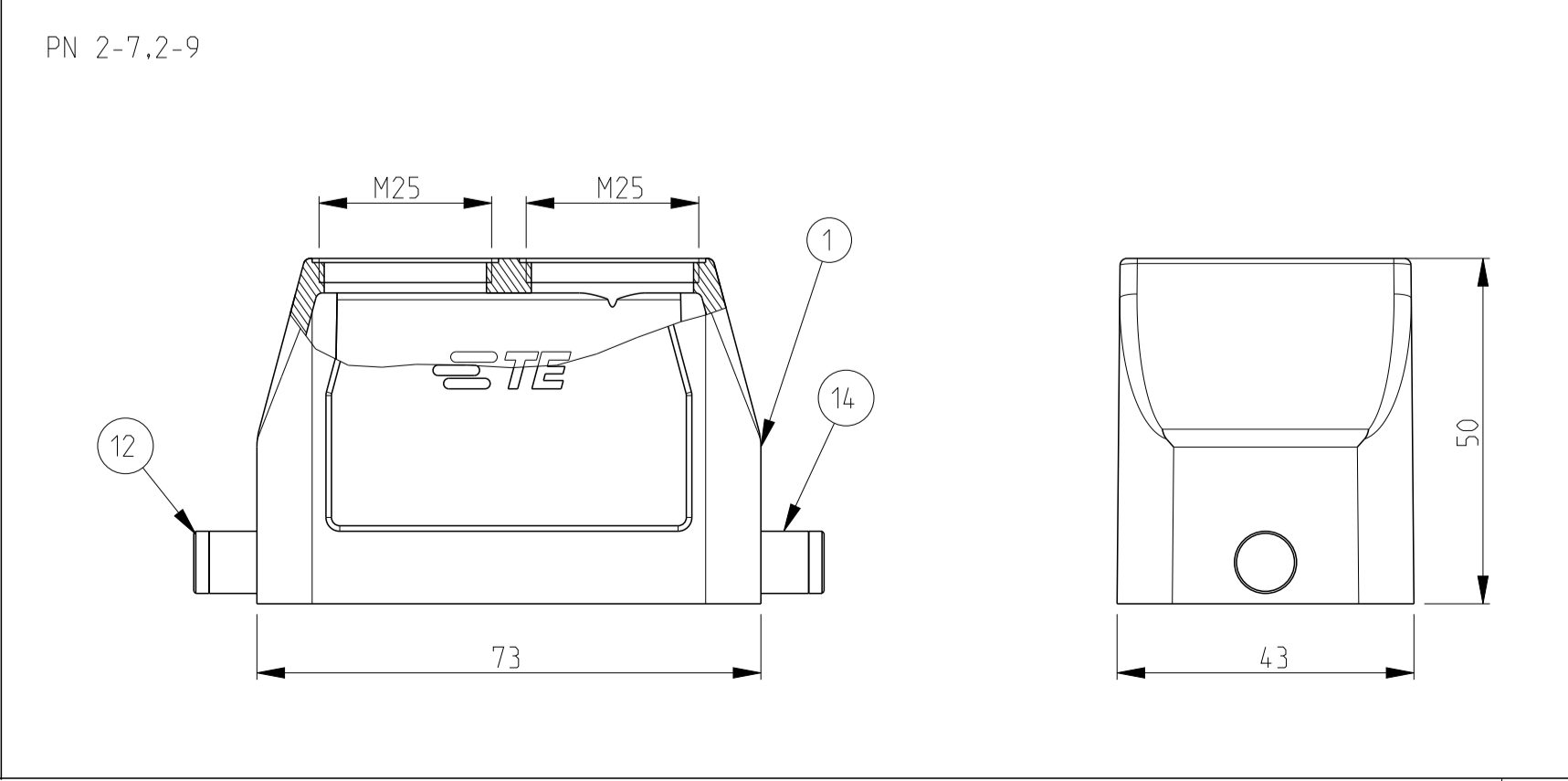
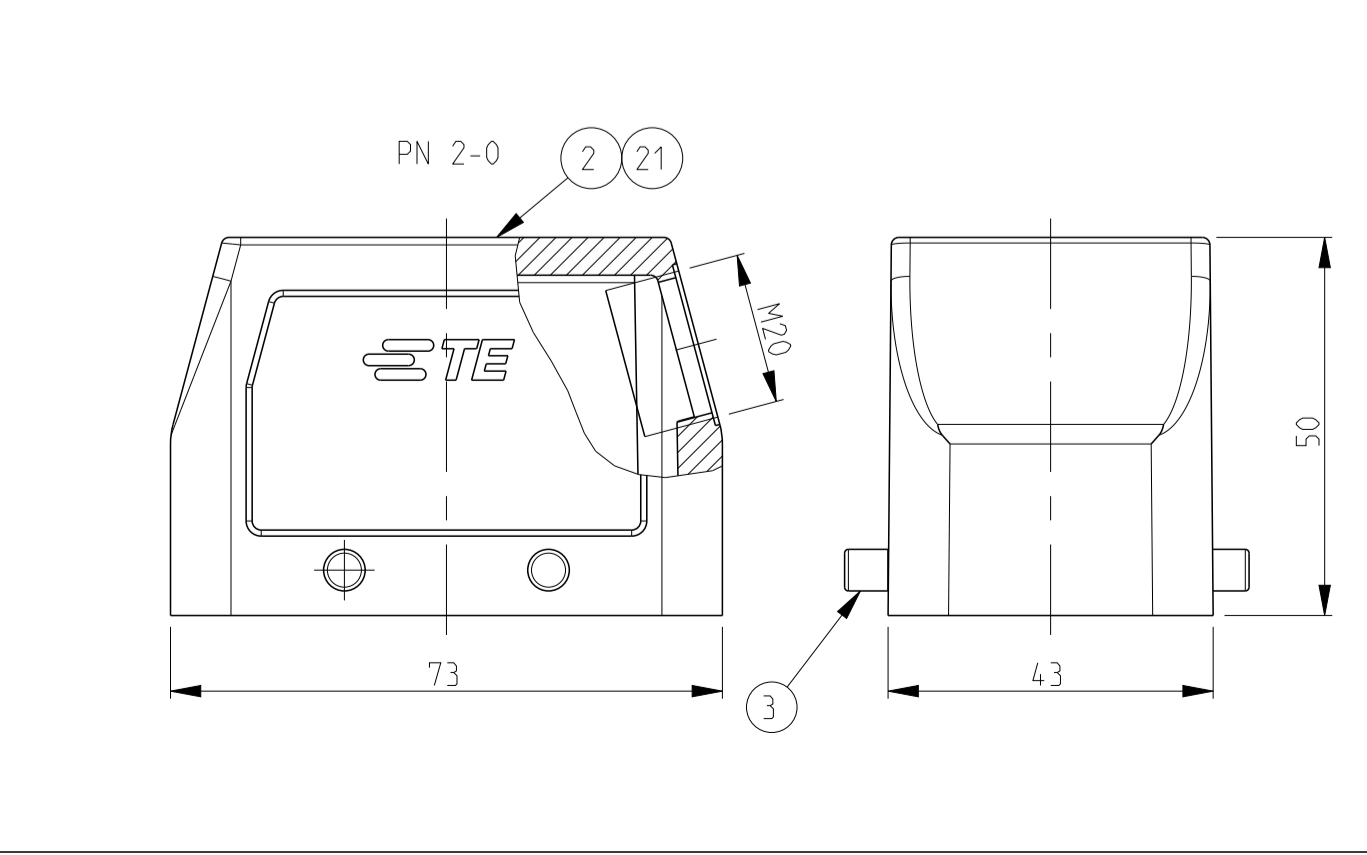
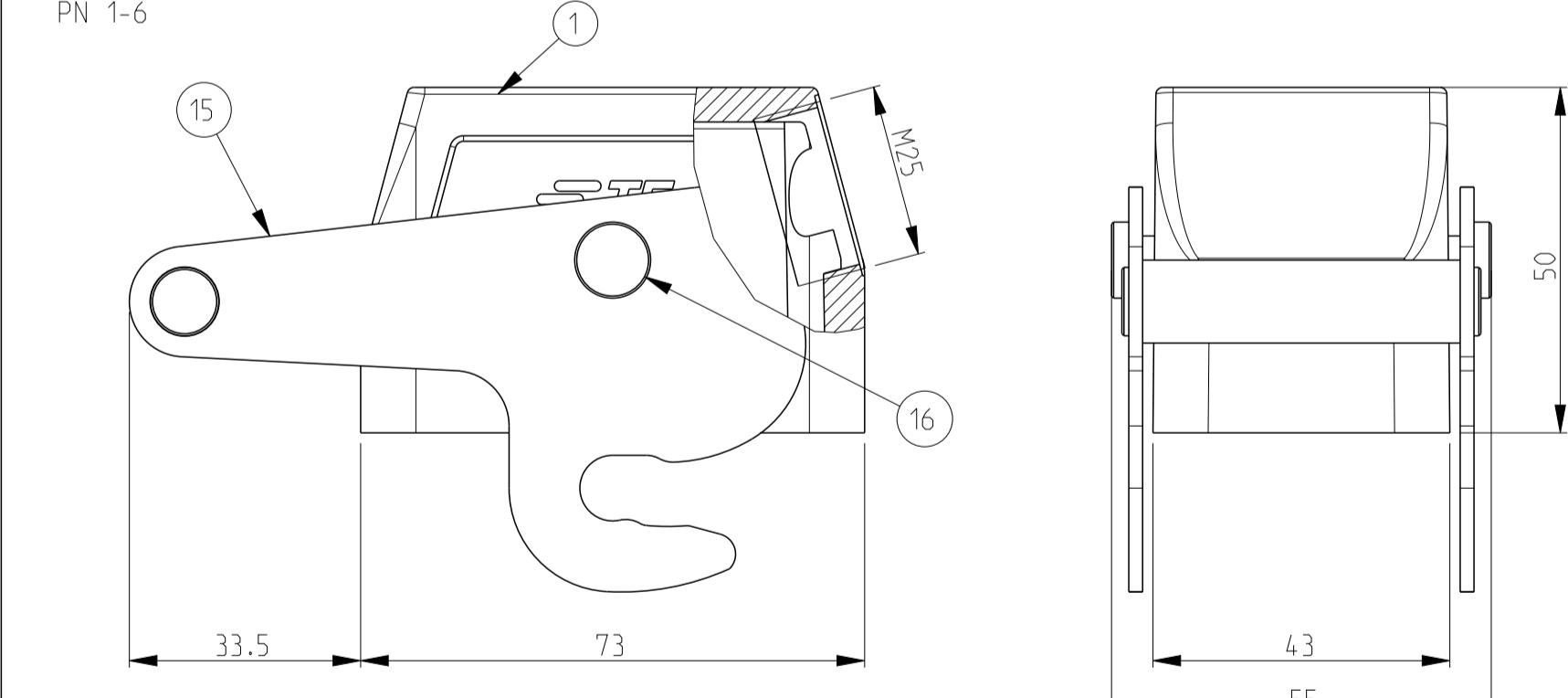
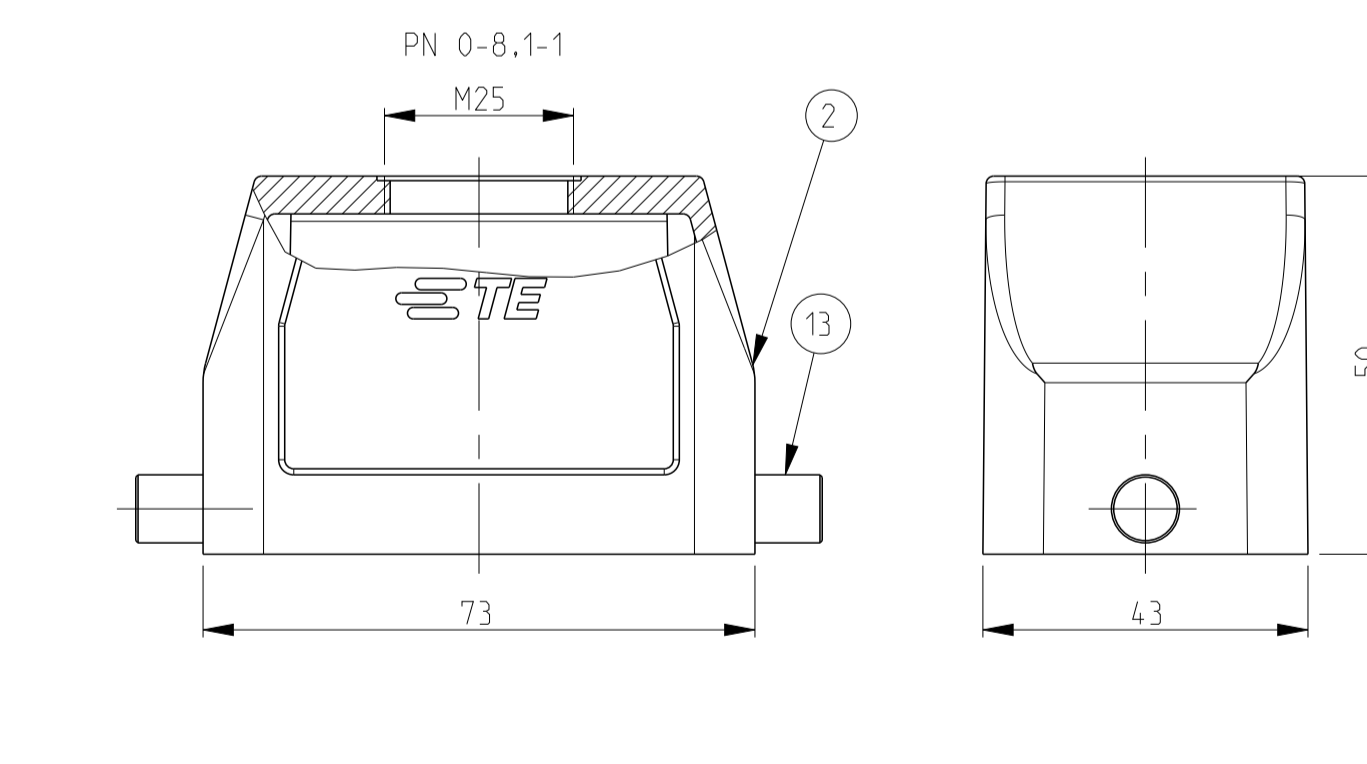
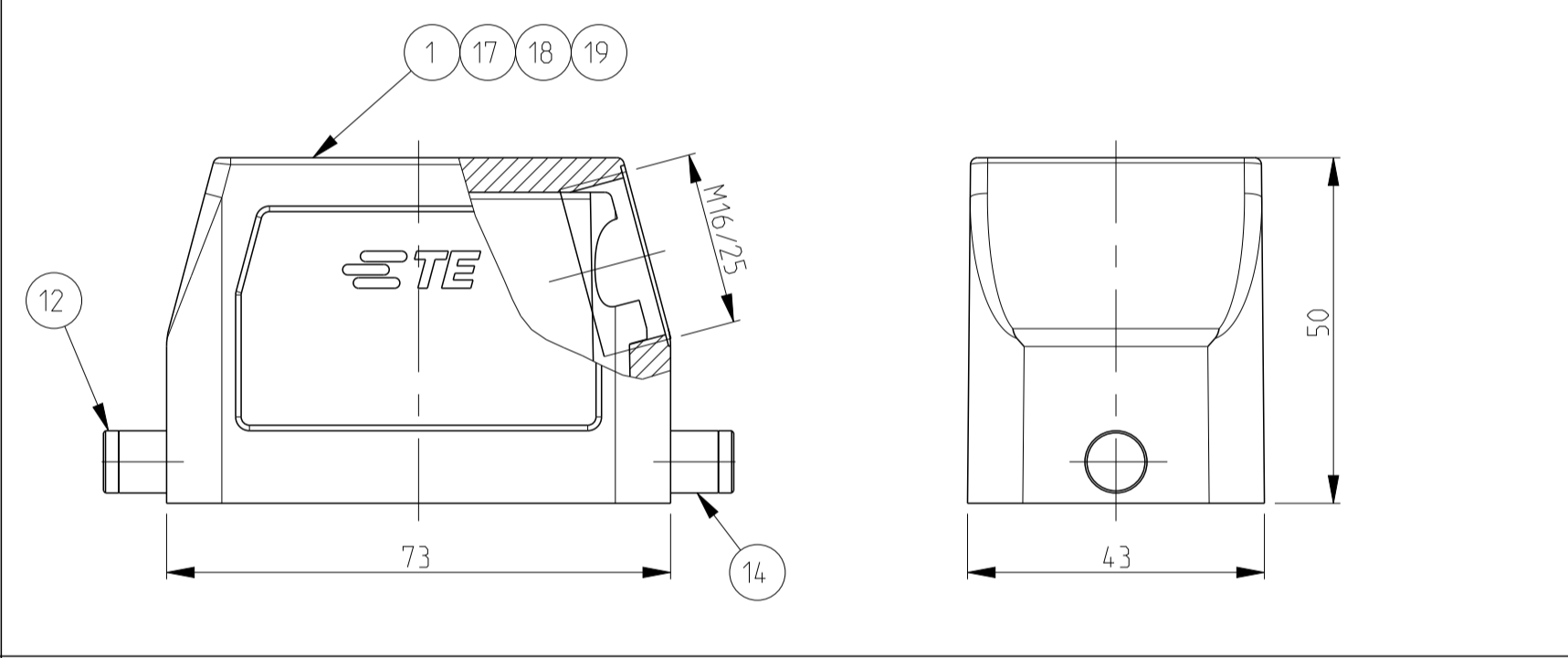
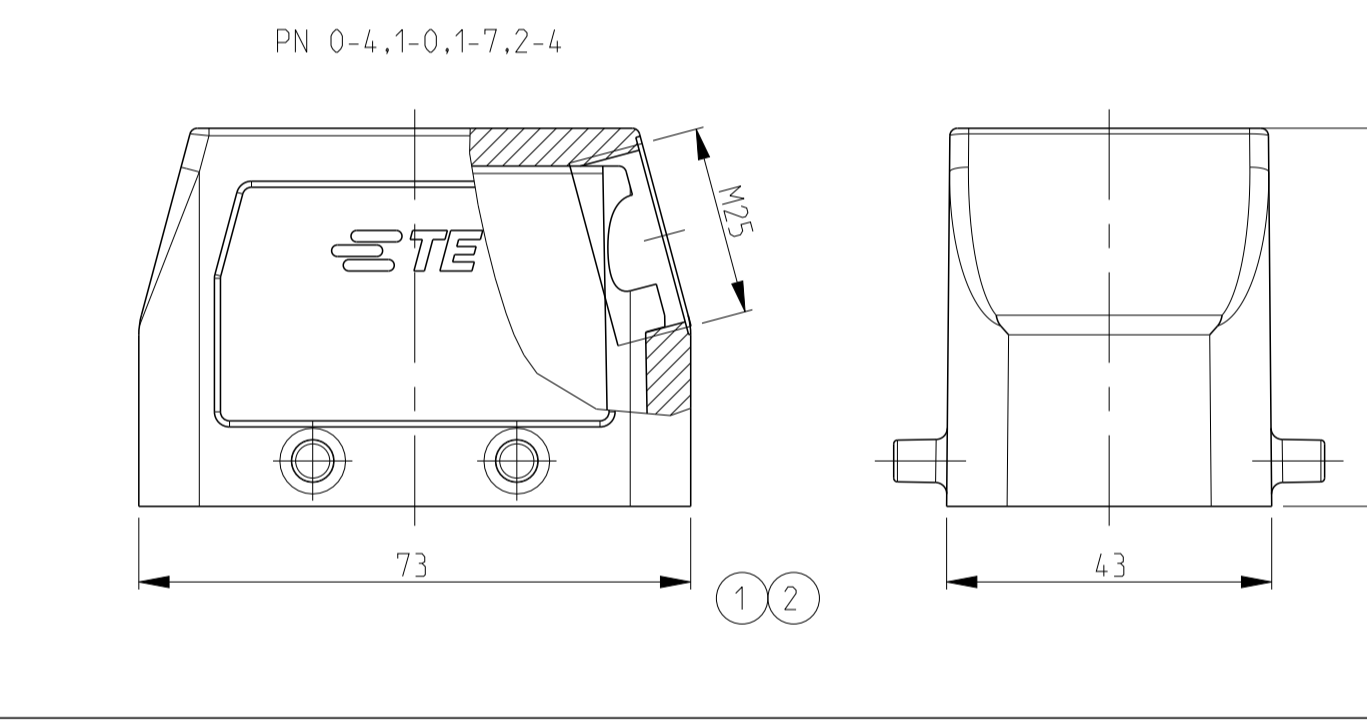
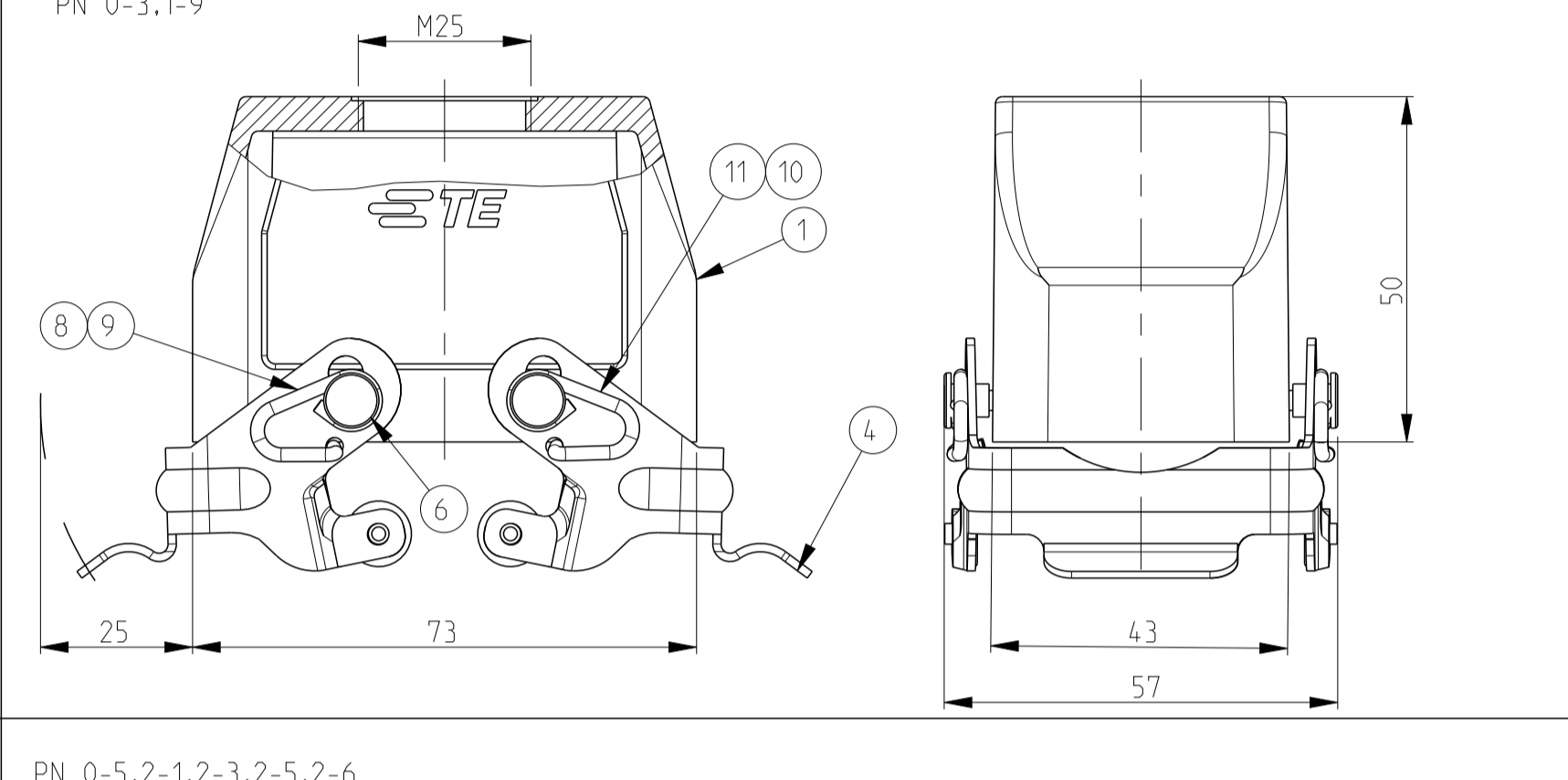
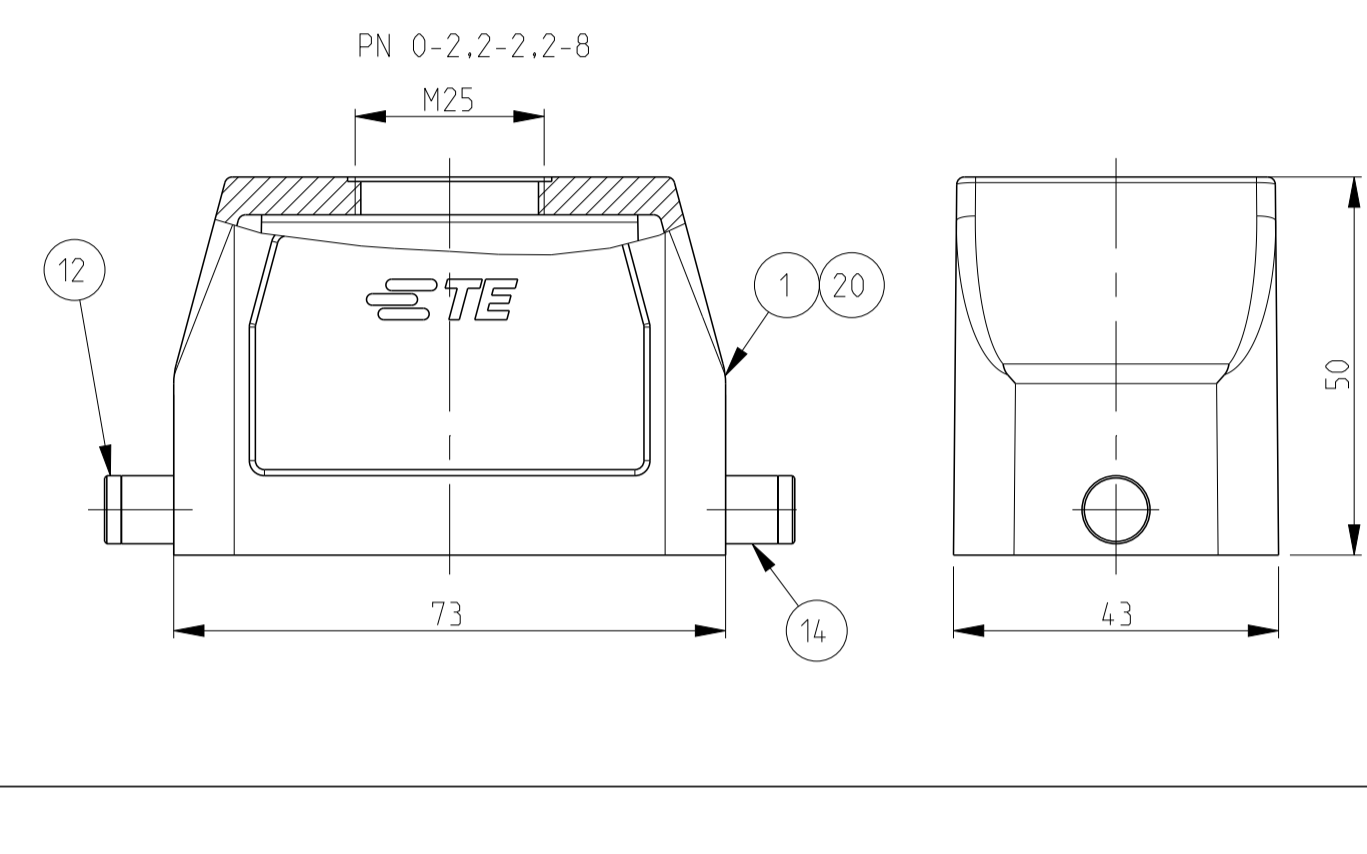
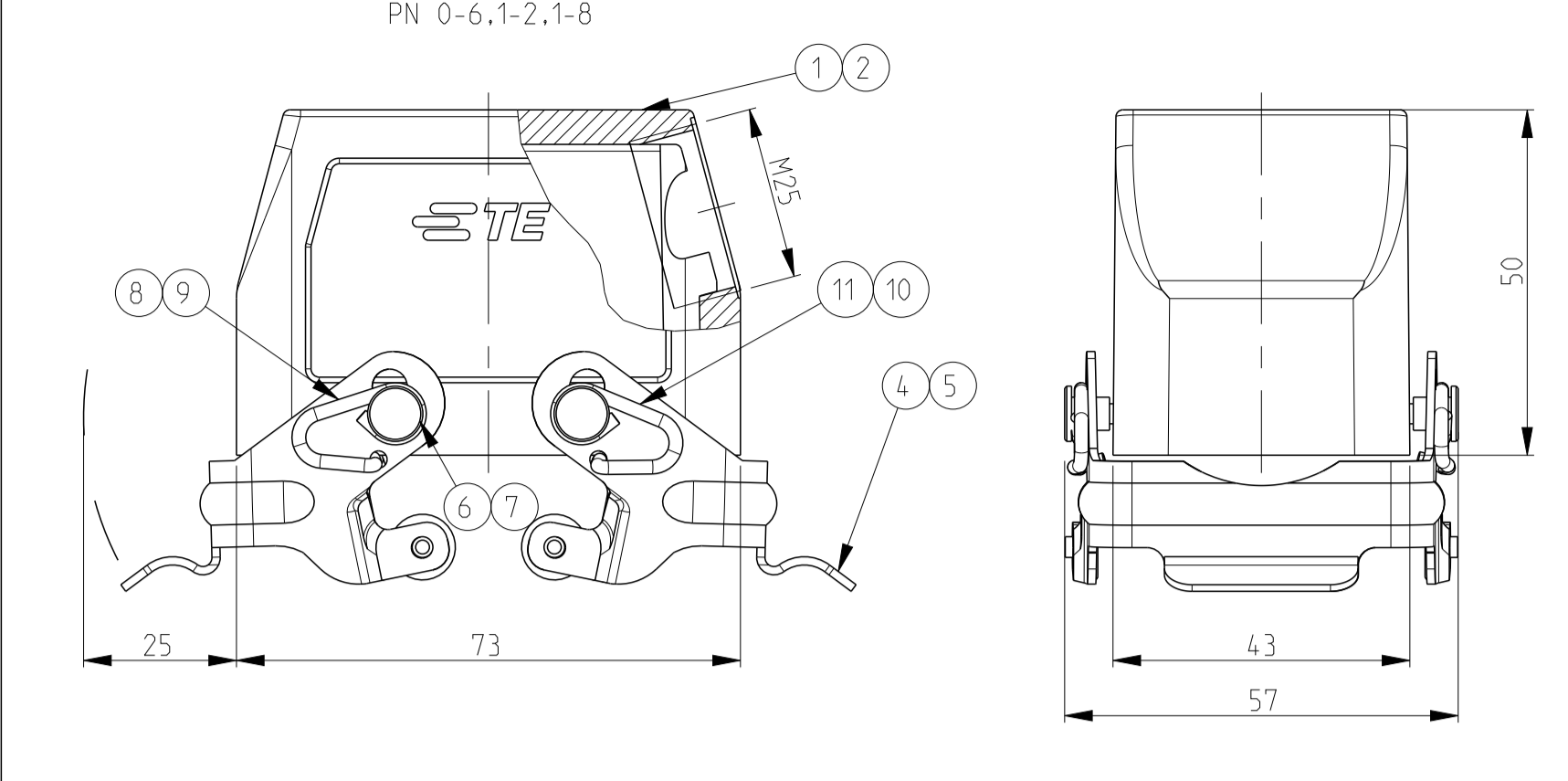
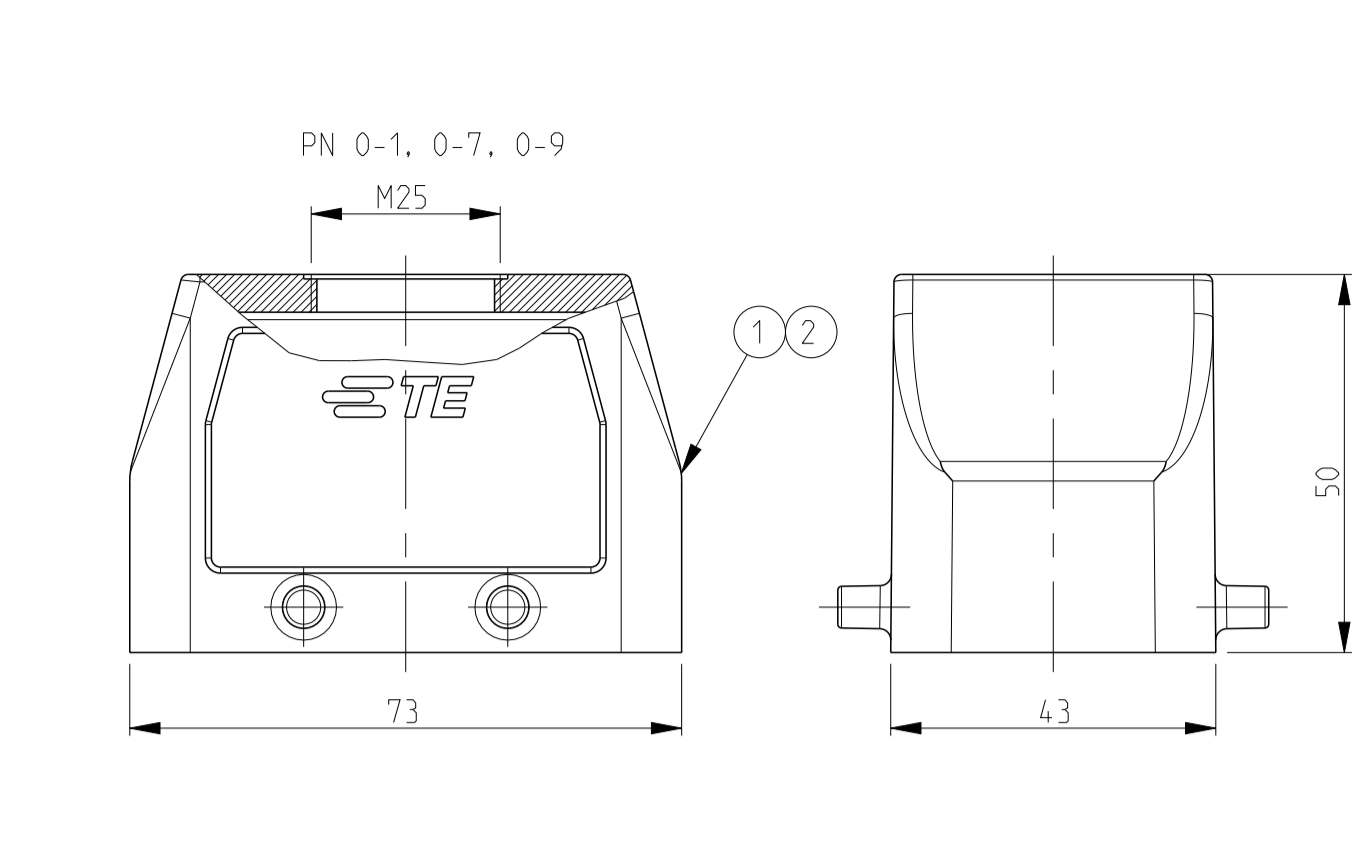


| REVISIONS | | | | |
|-----------|-----|--------------------------|-----------|----------|
| P | LTA | DESCRIPTION | DATE | DWN APVD |
| A25 | | ECR-16-016696 | 18SEP2017 | GR MKO |
| A26 | | REVISÉ PER ECR-16-016780 | 30JAN2018 | SG MKO |
| A27 | | ECR-17-014013 | 26MAR2018 | SG MKO |
| A28 | | ECR-21-123564 | 14MAR2022 | RK JB |

- NOTES**
- MATERIAL:HOUSING ALUMINIUM DIECASTING ALLOY
 - SURFACE-POWDER VARNISH GREY -ALUMINIUM OXIDE -VARNISH BLACK
 - PACKAGING QUANTITY 5 PIECES IN A BOX
 - VARNISH ON THE INSIDE NOT NECESSARY
 - SPECIAL PACKAGING QUANTITY 50 PIECES IN A KANBAN BOX
 - SPECIAL PACKAGING QUANTITY 130 PIECES IN A KANBAN BOX
 - OBsolete PARTS: OBsolete CIS STREAMLINING PER D.RENAUD/D.SINISI



| QTY | OBsolete | DESCRIPTION | MATERIAL | SURFACE | COLOR | ITEM NO | NOTES |
|-----|----------|----------------------|-----------------|-----------------|-------|---------|-------|
| | OBsolete | HB-EMV HOOD | ALUMINIUM | SEE NOTE | BLANC | 21 | |
| | OBsolete | HB-EMV HOOD | ALUMINIUM | SEE NOTE | BLANC | 20 | |
| | OBsolete | HB HOOD | ALUMINIUM | | BLANK | 19 | |
| | OBsolete | HB HOOD | ALUMINIUM | | BLANK | 18 | |
| | OBsolete | HB-EMV HOOD | ALUMINIUM | SEE NOTE | BLANK | 17 | |
| | | ZB-CLIP FIXING | STEEL | ZINC PLATED | BLUE | 16 | |
| | | ZB-SIDE CLIP | STEEL | ZINC PLATED | BLUE | 15 | |
| | | LB-SLIDE SPOOL | STEEL | ZINC PLATED | BLUE | 14 | |
| | | LB-CLIP BOLT | STAINLESS STEEL | BLANK | | 13 | |
| | | LB-CLIP BOLT | STEEL | ZINC PLATED | BLUE | 12 | |
| | | VS-CLIP SPRING RIGHT | STAINLESS STEEL | BLANK | | 11 | |
| | | VS-CLIP SPRING RIGHT | STEEL | ZINC PLATED | BLUE | 10 | |
| | | VS-CLIP SPRING LEFT | STAINLESS STEEL | BLANK | | 9 | |
| | | VS-CLIP SPRING LEFT | STEEL | ZINC PLATED | BLUE | 8 | |
| | | VS-CLIP FIXING | STAINLESS STEEL | BLANK | | 7 | |
| | | VS-CLIP FIXING | STEEL | ZINC PLATED | BLUE | 6 | |
| | | VS-SIDE CLIP | STAINLESS STEEL | BLANK | | 5 | |
| | | VS-SIDE CLIP | STEEL | ZINC PLATED | BLUE | 4 | |
| | | VS-CLIP BOLT | STAINLESS STEEL | BLANK | | 3 | |
| | | HB-K HOOD | ALUMINIUM | ALUMINIUM OXIDE | BLACK | 2 | |
| | | HB HOOD | ALUMINIUM | | GREY | 1 | |

THIS DRAWING IS A CONTROLLED DOCUMENT. DWN SCHNEIDER 11.12.2002
 CHK SCHWELGER 11.12.2002

STE TE Connectivity

PRODUCT SPEC: 108-740001/108-740003
 APPLICATION SPEC: 114-740001/114-740004

DESCRIPTION: HOOD HB.10 WITH M-THREAD

SIZE: A1 CAGE CODE: 00779 DRAWING NO: 1106430

MATERIAL: ALUMINIUM FINISH: GRAY

CUSTOMER DRAWING SCALE: 5:1 SHEET: 1 OF 1 REX: A28