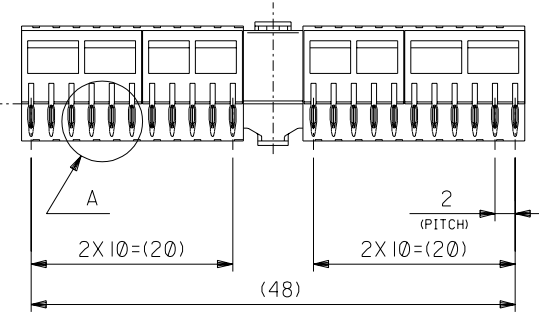
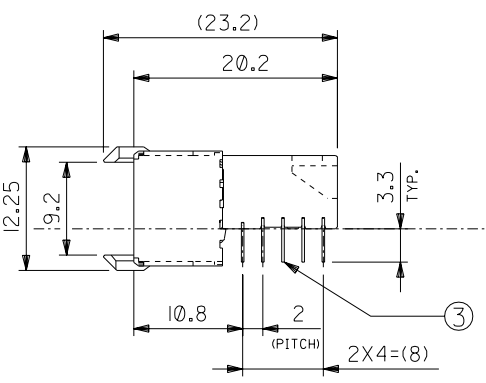
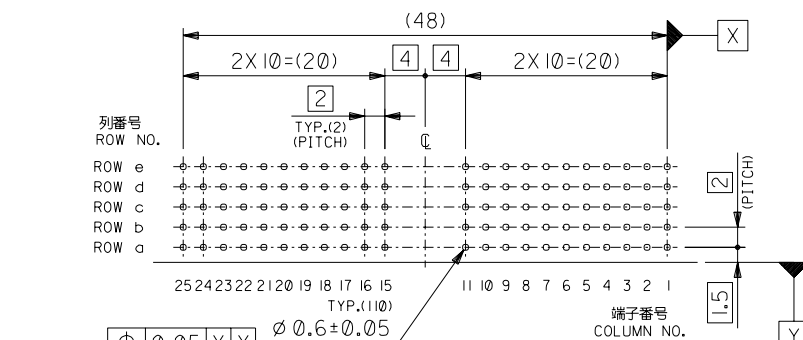
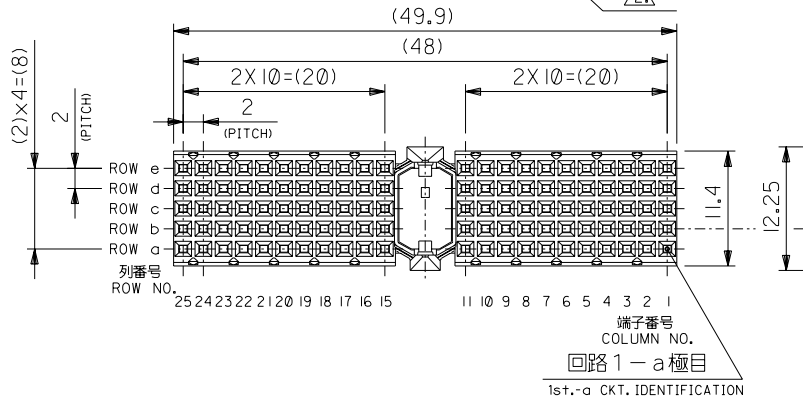
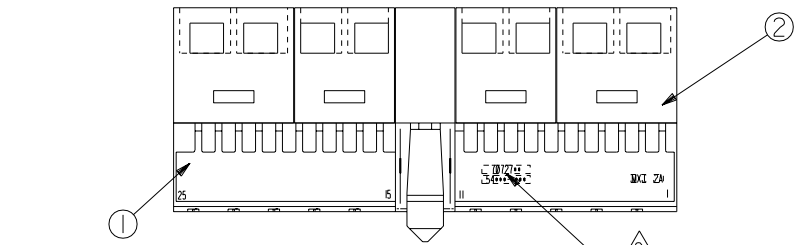


DWG. NO. SD-54457-010

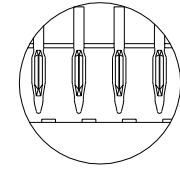
番号 No.	部品 PART NAME	材質 MATERIAL	仕上げ FINISH
①	リセプタクル ハウジング RECEPTACLE HOUSING	液晶ポリマー、ガラス充填、自然色(白)、UL94V-0 LIQUID CRYSTAL POLYMER, GLASS FILLED, NATURAL(WHITE), UL94V-0	—
②	リセプタクル カバー RECEPTACLE COVER	液晶ポリマー、ガラス充填、自然色(白)、UL94V-0 LIQUID CRYSTAL POLYMER, GLASS FILLED, NATURAL(WHITE), UL94V-0	—
③	リセプタクル ターミナル RECEPTACLE TERMINAL	りん青銅 PHOSHOR BRONZE	△1



注記
NOTES

- △1 ターミナルめっき仕様
TERMINAL PLATING
金めっき: 0.8 μm MIN.(接点部)
GOLD: 0.8 μm MIN.(CONTACT AREA)
半田めっき: 0.5 μm MIN.(プレスフィット部)
TIN-LEAD: 0.5 μm MIN.(PRESS-FIT AREA)
ニッケルめっき: 1.3 μm MIN.(下地めっき)
NICKEL: 1.3 μm MIN.(UNDER PLATING)
- △2 製品番号及びロットナンバー
MATERIAL NO. & LOT NO.

PRESS-FIT TAIL



DETAIL A
(SCALE:4-1)

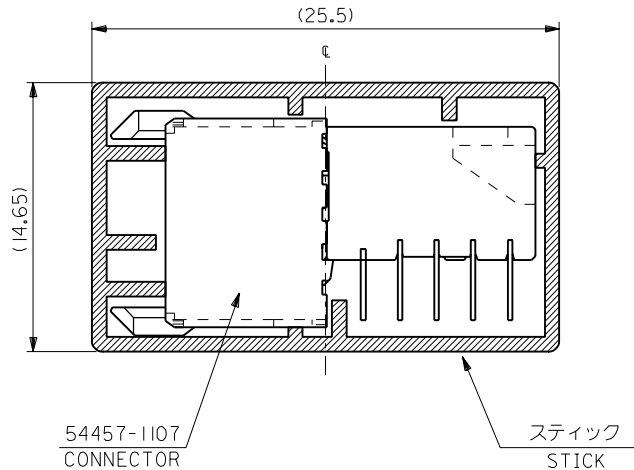
PLATED THROUGH HOLE
DRILLED $\phi 0.7 \pm 0.02$ 基板穴推奨寸法 (部品実装)
RECOMMENDED P.C.B. LAYOUT (COMPONENT SIDE)

DO NOT SCALE DRAWING

EC NO.	DRWNS:	CH'K:	APPR:	EC NO.	DRWNS:	CH'K:	APPR:	EC NO.	DRWNS:	CH'K:	APPR:	EC NO.	DRWNS:	CH'K:	APPR:	EC NO.	DRWNS:	CH'K:	APPR:	DESCRIPTION	MATERIAL	FINISH	WIRE RANGE	INS. RANGE
																					—	—	—	—

GENERAL TOLERANCES: (UNLESS SPECIFIED) 一般公差	SCALE	DESIGN UNITS	THIRD ANGLE PROJECTION	DIMENSIONS:	SHT	REV
10 UNDER 未満 ±0.2	2-1	mm INCH	◎	mm INCH	mm ONLY	REVISE ON CAD ONLY
10 OVER 30 UNDER 未満 ±0.25						
30 OVER 以上 ±0.3						
ANGLE 角度 ±3°						
DRAWN BY & DATE <i>S. Noda</i>		TITLE: "MZP" B/B CONN. RECEPTACLE R/A ASS'Y TYPE A W/O PEG		54457-1107		
CHECKED BY & DATE <i>A. Noda</i>		MOLEX INCORPORATED		MATERIAL NO. 54457-1107		
APPROVED BY & DATE <i>S. Noda</i>		MATERIAL NO. SD-54457-010.S01		DRAWING NO. SD-54457-010		
CAD FILENAME		SEE TABLE		SHEET NO. 1 OF 1		
THIS DRAWING CONTAINS INFORMATION THAT IS PROPRIETARY TO MOLEX INCORPORATED AND SHOULD NOT BE USED WITHOUT WRITTEN PERMISSION.						SIZE B

SD-54457-010.S01



注記 NOTES

1. スティック両端はテープ止め。
BOTH ENDS WITH TAPES.
2. 全長：600±2mm
TOTAL LENGTH：600±2mm
3. 肉厚：0.8±0.2mm
THICKNESS：0.8±0.2mm

DO NOT SCALE DRAWING

④NO. DRWN: CHK: APPR:	③NO. DRWN: CHK: APPR:	②NO. DRWN: CHK: APPR:	REVISED ④NO. JD2001-0854 DRWN: UHASEGAWA 00/02/19 CHK: ANODA APPR: HIKESUGI	RELEASED ④NO. JD2001-0328 DRWN: S.HOSHIKAWA 00/05/31 CHK: ANODA APPR: HIKESUGI	MATERIAL 材料 スティック：ポリ塩化ビニル STICK：P.V.C.	GENERAL TOLERANCES: (UNLESS SPECIFIED) 一般公差	SCALE 4-1	DESIGN UNITS <input checked="" type="checkbox"/> mm <input type="checkbox"/> INCH	PROJECTION ANGLE <input type="checkbox"/> 2θ <input type="checkbox"/> 3θ <input checked="" type="checkbox"/> 4θ	DIMENSIONS: <input type="checkbox"/> mm <input type="checkbox"/> INCH <input checked="" type="checkbox"/> mm ONLY	SHT 1	REV 1	
FINISH 仕上げ	#	WIRE RANGE 適用線径範囲	#	INS. RANGE 被覆外径	#	10 UNDER 未満	±0.2	DRAWN BY & DATE [Signature]	CHECKED BY & DATE [Signature]	TITLE: "MZIP" B/B CONNECTOR 54457-1107 STICK PACKAGING	APPROVED BY & DATE [Signature]	CAD FILE NAME SD-54457-043.S01	SHEET NO. 1 OF 1
30 OVER 以上	#	ANGLE 角度	#	#	#	10 OVER 以上	±0.25	MOLEX INCORPORATED	MATERIAL NO. SEE CHART	DRAWING NO. SD-54457-043	SIZE B	30 OVER 以上	±0.3
3+	#	2θ THIS DRAWING CONTAINS INFORMATION THAT IS PROPRIETARY TO MOLEX INCORPORATED AND SHOULD NOT BE USED WITHOUT WRITTEN PERMISSION.	#	#	#	3+	*	2θ THIS DRAWING CONTAINS INFORMATION THAT IS PROPRIETARY TO MOLEX INCORPORATED AND SHOULD NOT BE USED WITHOUT WRITTEN PERMISSION.	SEE CHART	SD-54457-043	B	*	*

II	54457-1105	110
梱包数 QUANTITY	MATERIAL NO.	極数 PIN

MODEL NO. : 54457-1105		DIMENSIONS:		SHT	REV
				1	1

SD-54457-043.S01